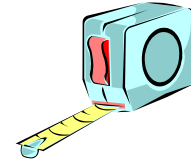




# IMPORTANT

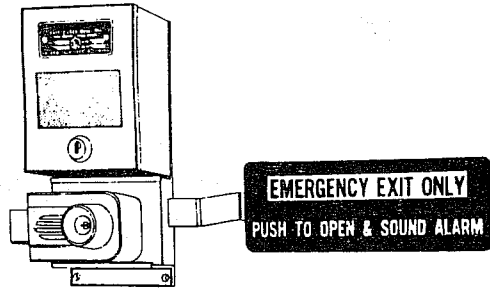


Templates must be printed without size modifications and verified for dimensional accuracy.

- Before printing, select the printing options necessary to ensure that copies are produced without size adjustments.
- After printing, measure the dimensions indicated on the template to ensure correct scale.

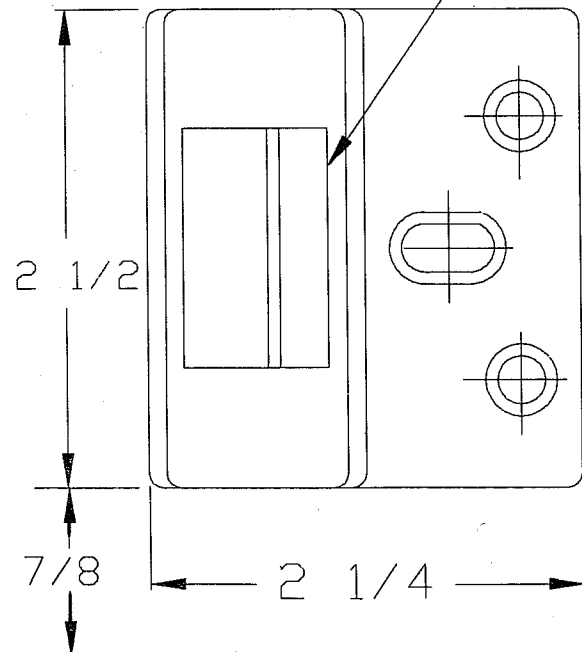


**SENTRYGARD  
ALARM LOCKS  
MODEL 11A**

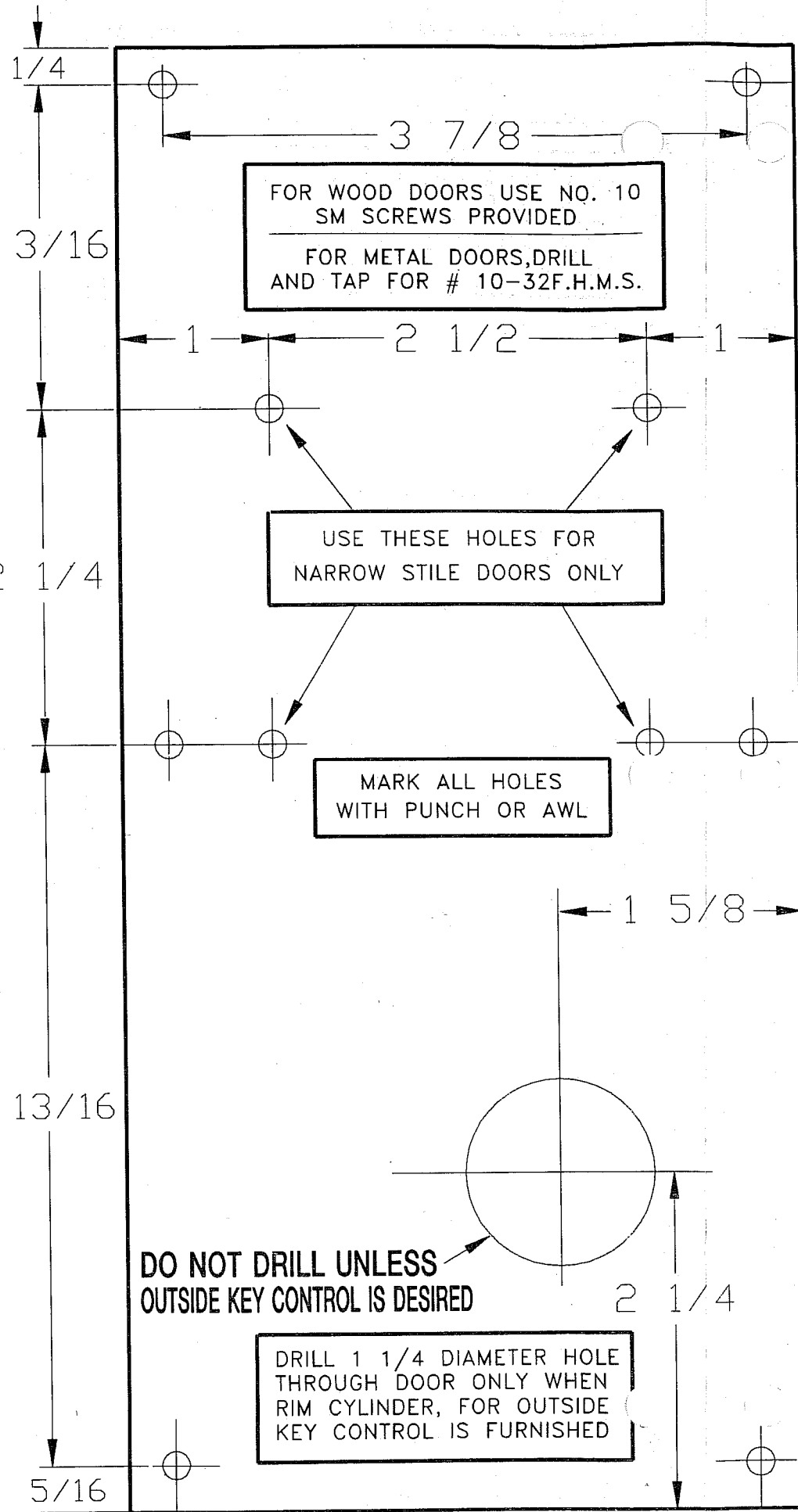


**KEEPER AND PLATE  
DO NOT MORTISE**

NOTE HEAVY SIDE OF KEEPER TOWARD DOOR



FOLD 90° ON DOTTED LINE AND HOLD FIRMLY AGAINST DOOR AND DOOR STOP.



**INSTALLATION TEMPLATE FOR L.H.R.B. OUTSWINGING  
SINGLE DOOR**

SEE REVERSE SIDE FOR RIGHT HAND INSTALLATION

**INSTALLATION INSTRUCTIONS**

**THIS IS A NEW ALARM BOX AND NEED NOT BE REMOVED FROM THE MOUNTING PLATE.**

OPEN ALARM BOX AND REMOVE BATTERY. USING SIX (6) # 10 SCREWS PROVIDED, MOUNT THE LOCK TO THE DOOR. (NOTE: FOUR (4) OF THE MOUNTING HOLES ARE INSIDE OF THE ALARM BOX.) REPLACE BATTERY AND CLOSE THE COVER OF THE ALARM BOX.

**TO REVERSE HAND OF LOCK**

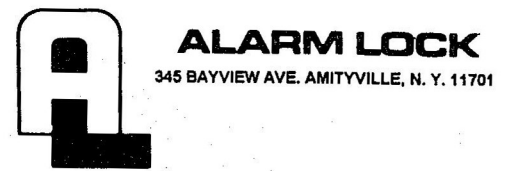
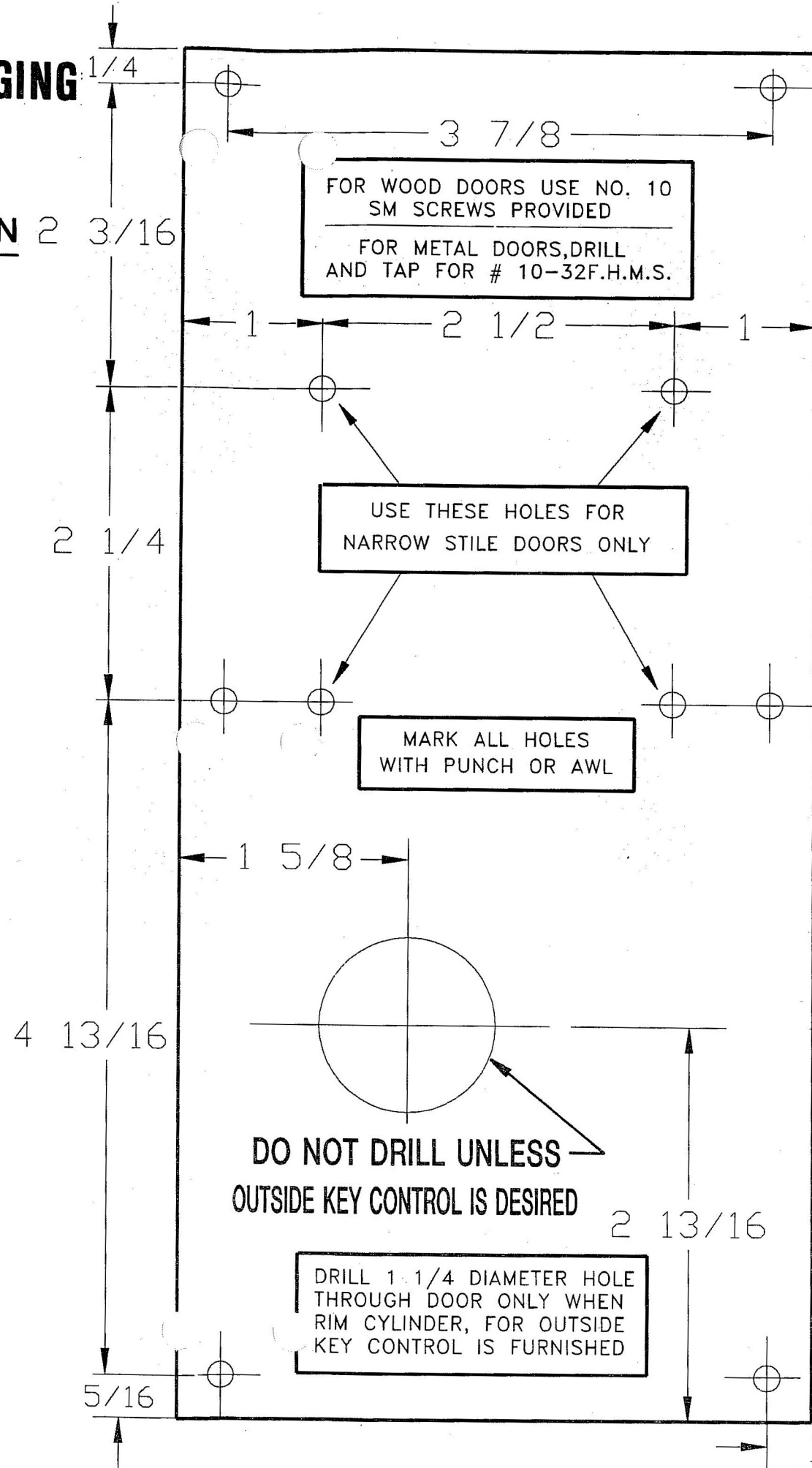
FROM REAR OF MOUNTING PLATE, REMOVE THE 4 SCREWS HOLDING ENTIRE LOCK MECHANISM. TURN ENTIRE LOCK MECHANISM AROUND AND REPLACE SCREWS. REVERSE CLAPPER PLATE.

# INSTALLATION TEMPLATE FOR R.H.R.B. OUTSWINGING SINGLE DOOR

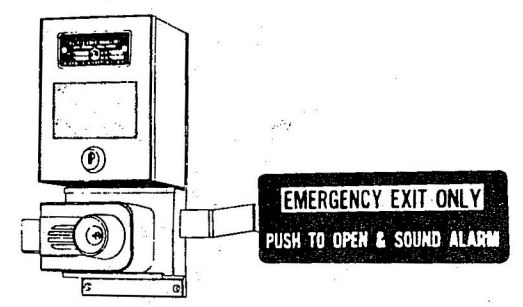
SEE REVERSE SIDE FOR LEFT HAND INSTALLATION

**INSTALLATION INSTRUCTIONS**  
 THIS IS A NEW ALARM BOX AND NEED NOT BE REMOVED FROM THE MOUNTING PLATE.  
 OPEN ALARM BOX AND REMOVE BATTERY. USING SIX (6) # 10 SCREWS PROVIDED, MOUNT THE LOCK TO THE DOOR. (NOTE: FOUR (4) OF THE MOUNTING HOLES ARE INSIDE OF THE ALARM BOX.) REPLACE BATTERY AND CLOSE THE COVER OF THE ALARM BOX.

**TO REVERSE HAND OF LOCK**  
 FROM REAR OF MOUNTING PLATE, REMOVE THE 4 SCREWS HOLDING ENTIRE LOCK MECHANISM. TURN ENTIRE LOCK MECHANISM AROUND AND REPLACE SCREWS. REVERSE CLAPPER PLATE.



## SENTRYGARD ALARM LOCK MODEL 11A



FOLD 90° ON DOTTED LINE AND HOLD FIRMLY AGAINST DOOR AND DOOR STOP.

### KEEPER AND PLATE DO NOT MORTISE

NOTE HEAVY SIDE OF KEEPER TOWARD DOOR

