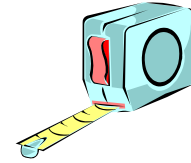




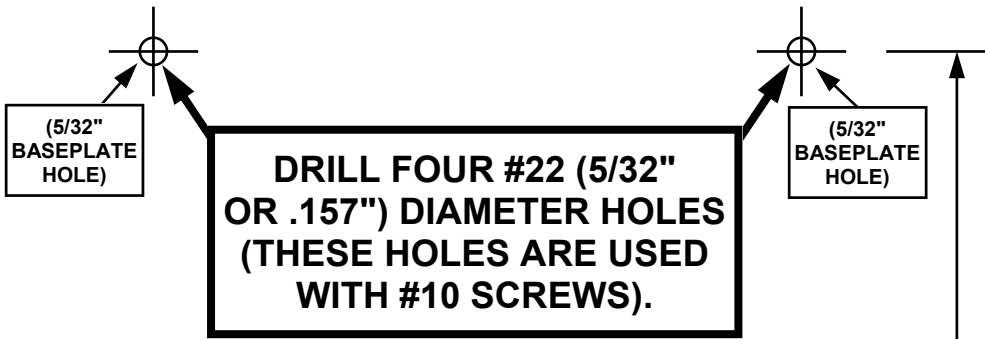
IMPORTANT



Templates must be printed without size modifications and verified for dimensional accuracy.

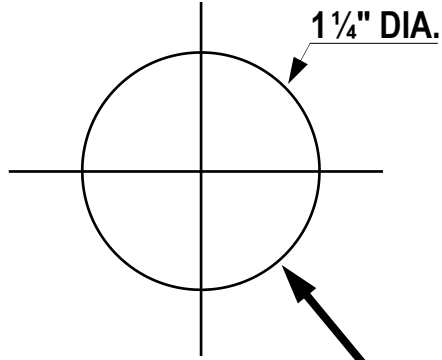
- Before printing, select the printing options necessary to ensure that copies are produced without size adjustments.
- After printing, measure the dimensions indicated on the template to ensure correct scale.

NOTE: IF INSTALLING A MODEL 707 OUTSIDE DOOR PULL. THE MODEL 707 MUST BE FULLY INSTALLED BEFORE MOUNTING THE MODEL 250 / 260 / 700 / 710 LOCK. FOR NEW INSTALLATIONS, YOU MAY USE THE MODEL 707 TEMPLATE IN PLACE OF THIS TEMPLATE.



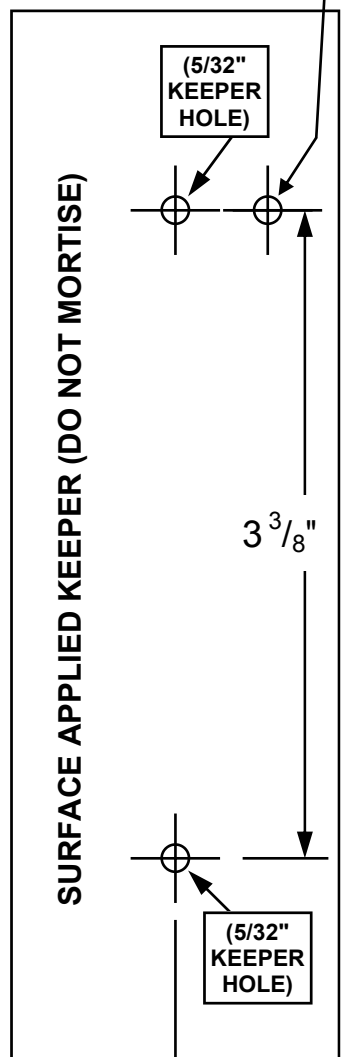
FOR HOLDING SCREW. DO NOT DRILL UNTIL INSTALLATION IS COMPLETE AND ALL ADJUSTMENTS MADE, THEN DRILL & USE THIRD SCREW PROVIDED.

IMPORTANT
 ALWAYS SELECT PRINTING OPTIONS TO ENSURE THAT COPIES OF TEMPLATES ARE PRODUCED **WITHOUT** SIZE ADJUSTMENTS.
 AFTER PRINTING, VERIFY THE DIMENSIONS OF THIS BOX ARE 2.000 X 2.000 INCHES ± 0.010.



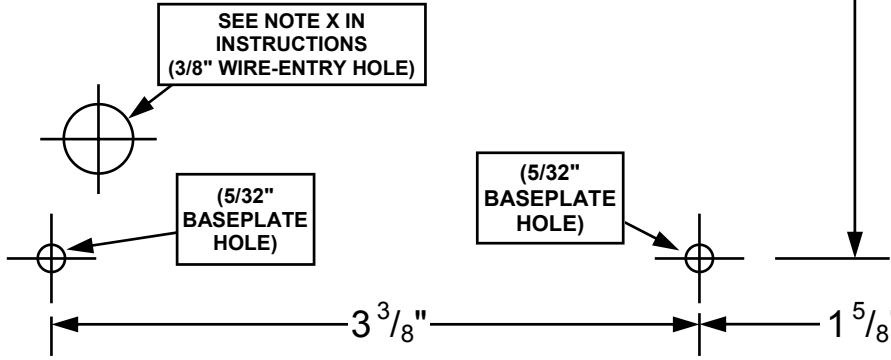
DRILL 1/4" THROUGH-HOLE FOR OUTSIDE RIM CYLINDER (ALARM LOCK CER-KD ALARM LOCK CER-12345) CUT TAIL PIECE TO PROJECT 3/8" INSIDE DOOR

(CENTER LINE OF LOCK BASEPLATE TO BE 38" ABOVE FINISHED FLOOR)



SURFACE APPLIED KEEPER (DO NOT MORTISE)

FOLD 90 DEGREES ON DOTTED LINE. AFFIX TO DOOR JAMB AND TO CLOSED DOOR



SEE NOTE X IN INSTRUCTIONS (3/8" WIRE-ENTRY HOLE)

(5/32" BASEPLATE HOLE)

(5/32" BASEPLATE HOLE)

(5/32" KEEPER HOLE)



345 Bayview Avenue, Amityville, New York 11701
 For Sales and Repairs 1-800-ALA-LOCK For Technical Service 1-800-645-9440
 (Note: Technical Service is for locksmiths and alarm professionals only)
 Publicly traded on NASDAQ Symbol: NSSC

**SINGLE DOOR
 TEMPLATE**

P5026B 2/09

© ALARM LOCK 2009

NOTE: IF INSTALLING A MODEL 707 OUTSIDE DOOR PULL. THE MODEL 707 MUST BE FULLY INSTALLED BEFORE MOUNTING THE MODEL 250 / 260 / 700 / 710 LOCK. FOR NEW INSTALLATIONS, YOU MAY USE THE MODEL 707 TEMPLATE IN PLACE OF THIS TEMPLATE.

