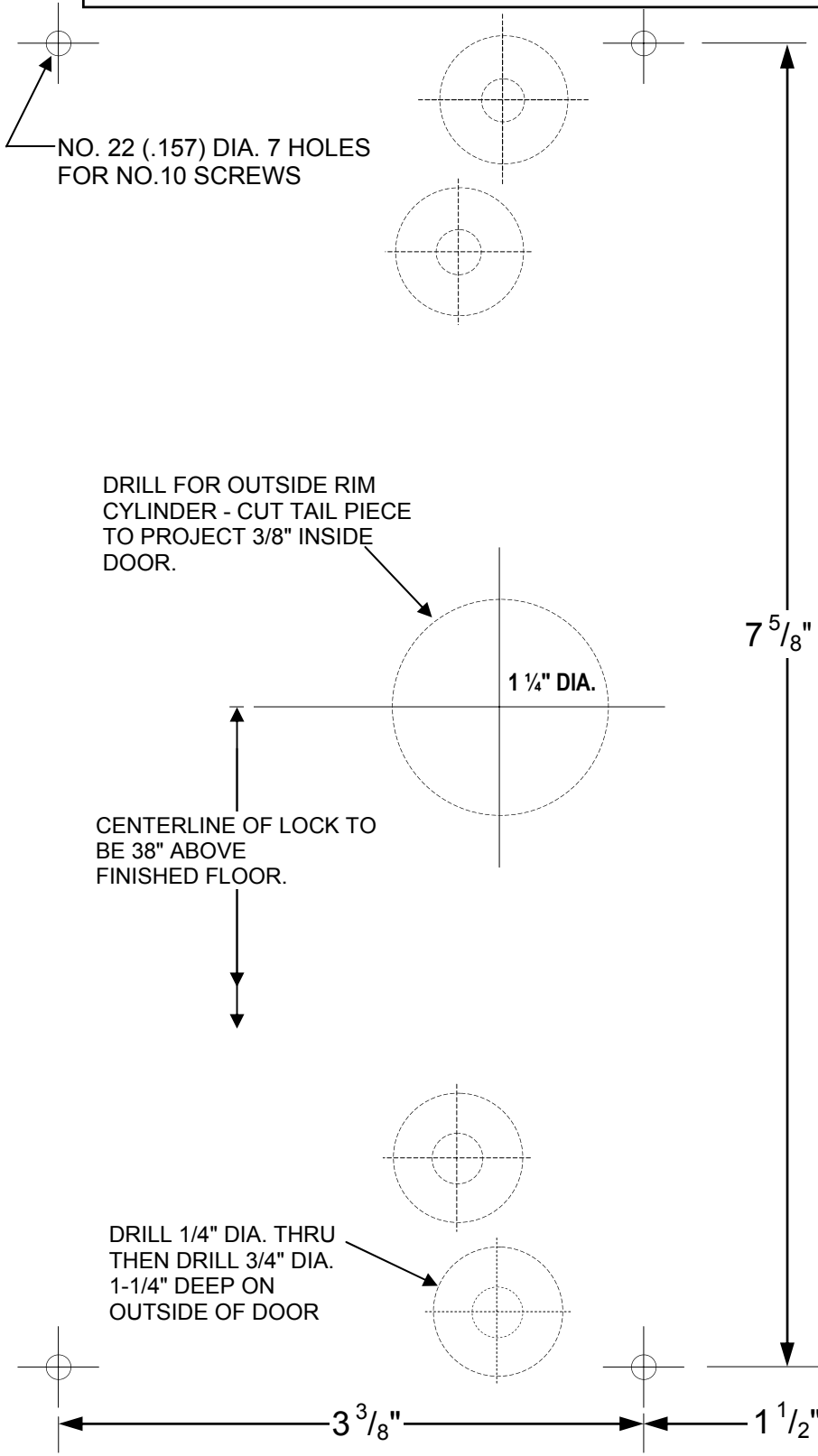
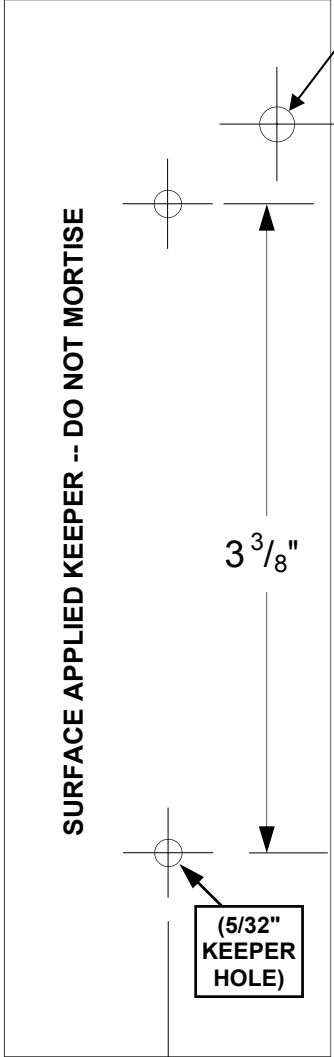


**WARNING! HOLES INDICATED BY DOTTED LINES ARE DRILLED ONLY IF 707 PULL IS USED.**

FOR HOLDING SCREW. DO NOT DRILL UNTIL INSTALLATION IS COMPLETE AND ALL ADJUSTMENTS MADE, **THEN DRILL USING THE KEEPER AS A TEMPLATE** & USE THIRD SCREW PROVIDED



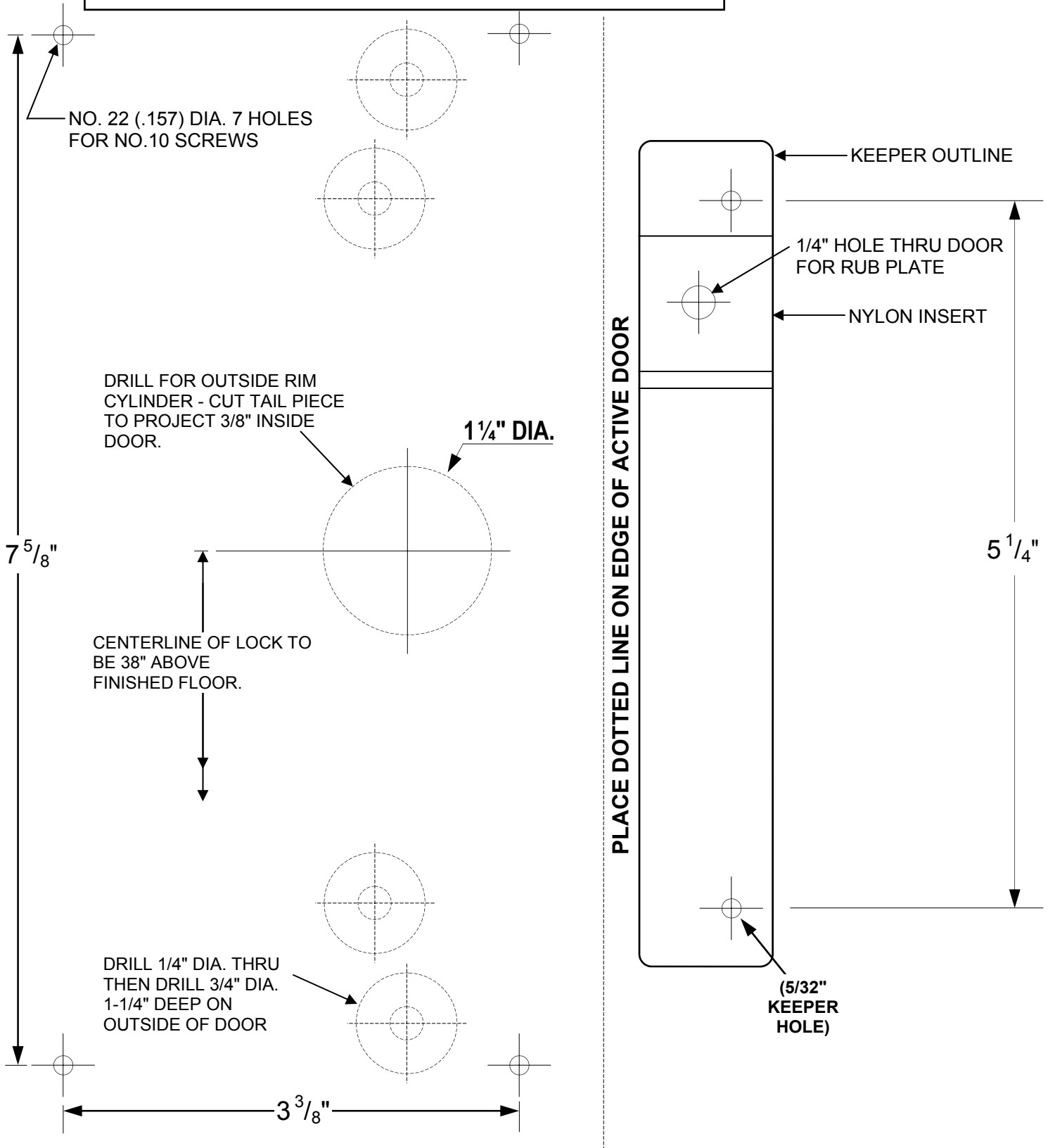
FOLD 90 DEGREES ON DOTTED LINE AND HOLD FIRMLY AGAINST DOOR AND STOP



345 Bayview Avenue  
 Amityville, New York 11701  
 For Sales and Repairs 1-800-ALA-LOCK  
 For Technical Service 1-800-645-9440  
 Publicly traded on NASDAQ Symbol: NSSC

**MODEL 70, 17 & 25  
 SINGLE DOOR TEMPLATE**

**WARNING! HOLES INDICATED BY DOTTED LINES ARE DRILLED ONLY IF 707 PULL IS USED.**



© ALARM LOCK

345 Bayview Avenue  
 Amityville, New York 11701  
 For Sales and Repairs 1-800-ALA-LOCK  
 For Technical Service 1-800-645-9440

Publicly traded on NASDAQ Symbol: NSSC

**MODEL 70X732, 17X732 & 25X732  
 DOUBLE DOOR KEEPER -  
 ALARM LOCK TEMPLATE**

**P3191**