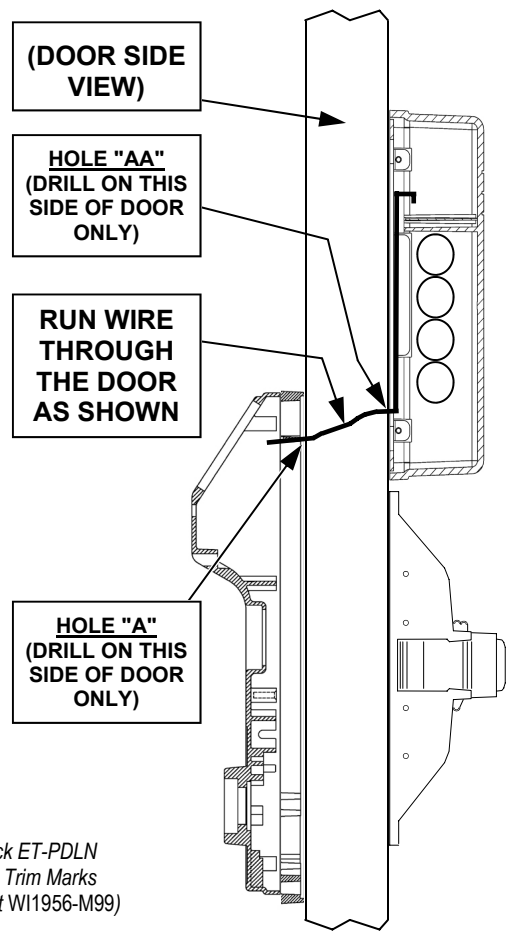


Mount Battery Box Above Exit Trim Device



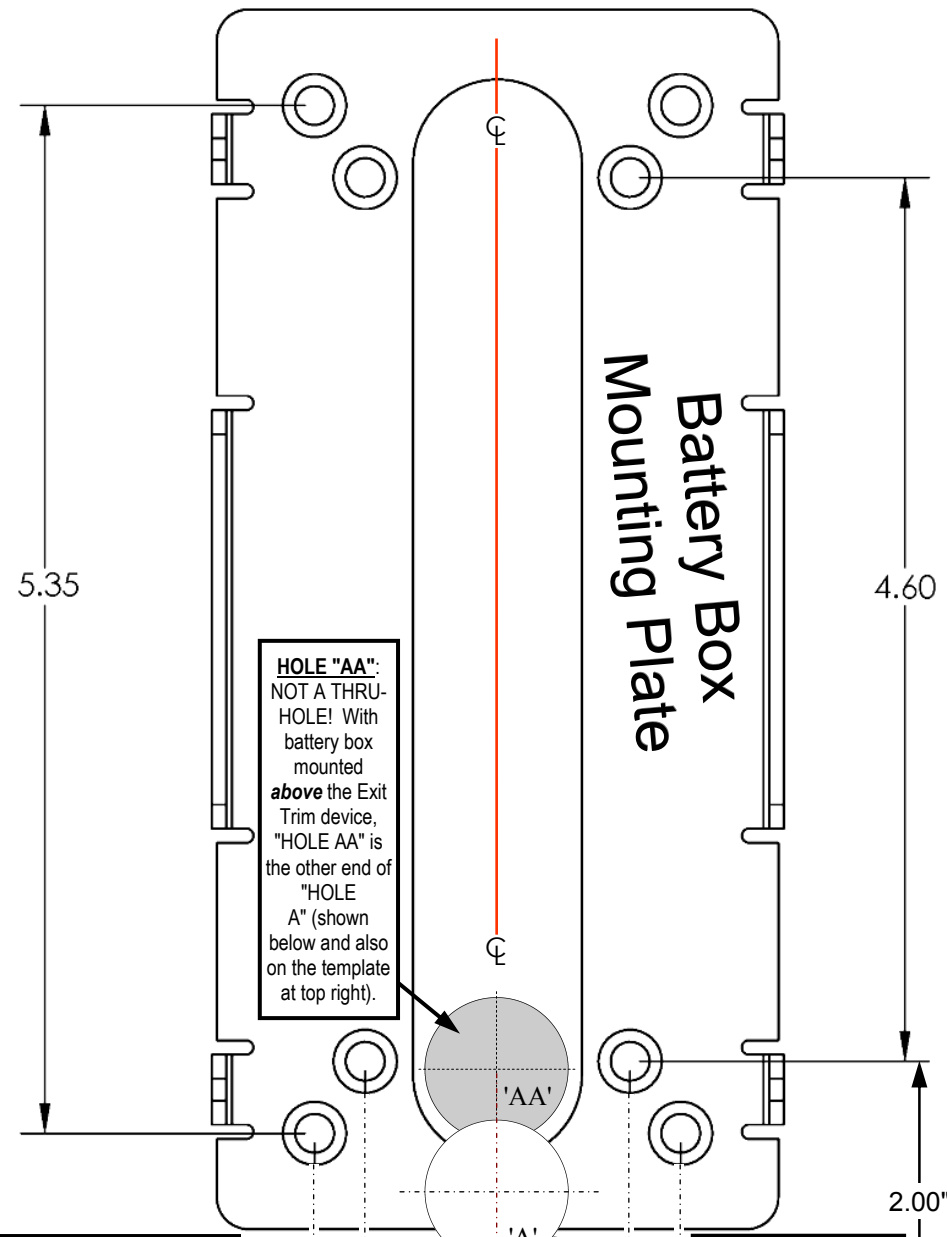
HOLES "A" & "AA"
 Locate Holes "A" and "AA" on the templates at right. These holes are **only** for use when mounting the battery box **above** the exit device. Drill a 3/4" hole for the wire. Preferably to be used with hollow doors but a hole can be drilled into a solid door from "A" to "AA" using a long drill bit. These holes are **NOT** simple thru-holes!

This template is from the Alarm Lock ET-PDLN Networkx Trilogy® Panic Exit Device Trim Marks Model 99 Series Rim Exit Device (Part W11956-M99)

ET-PDLN Networkx Trilogy® Panic Exit Device Trim Marks Model 99 Series Rim Exit Device

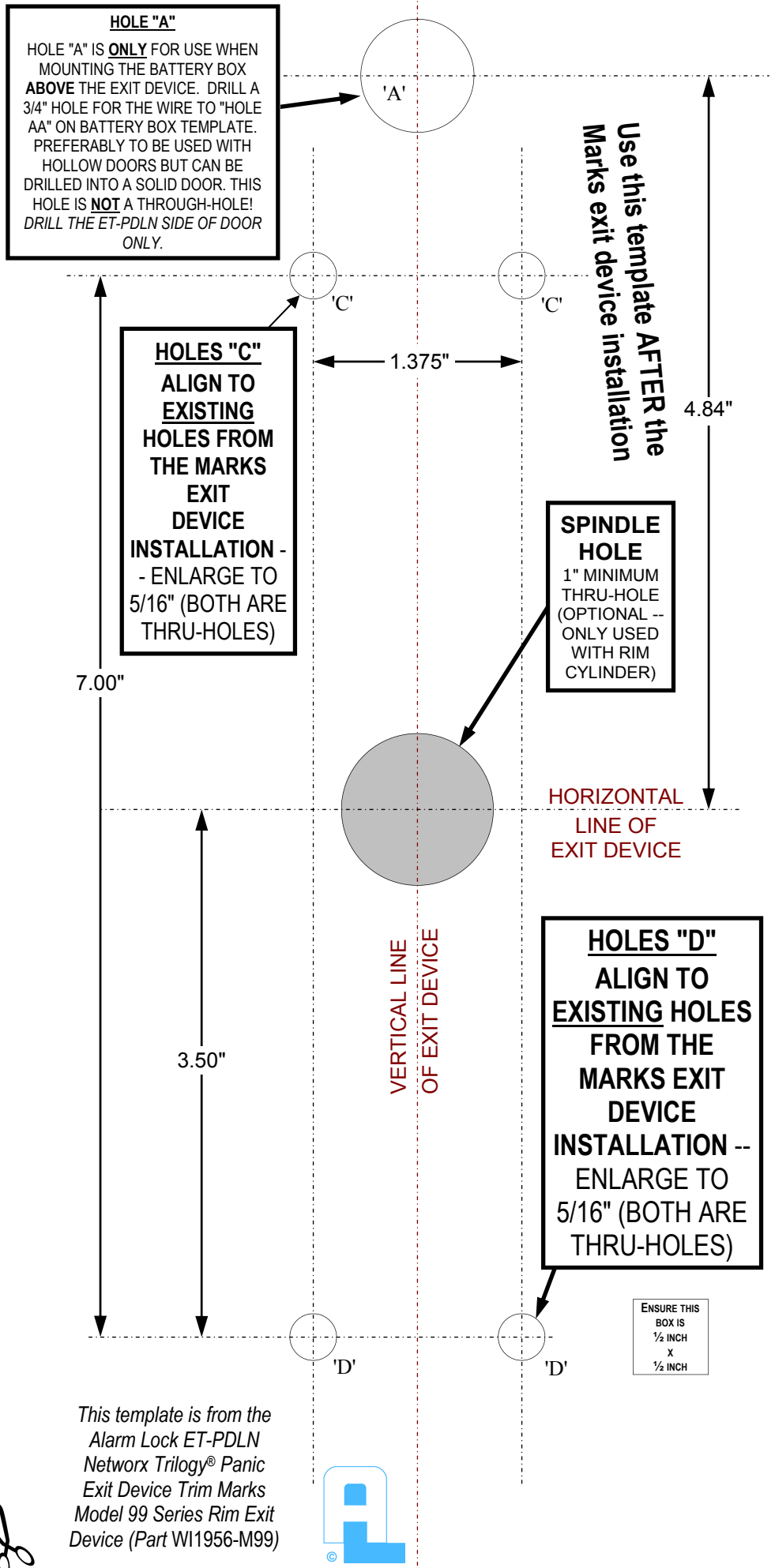
Alarm Lock Systems, Inc.
 A division of the NAPCO Security Technologies, Inc.
 345 Bayview Avenue, Amityville, NY 11701
 Tel: (631) 789-4871 Fax: (631) 789-3383
 www.alarmlock.com

Publicly traded on NASDAQ Symbol: NSSC
 © 2013 Alarm Lock Systems, Inc.
 W11956-M99 12/13



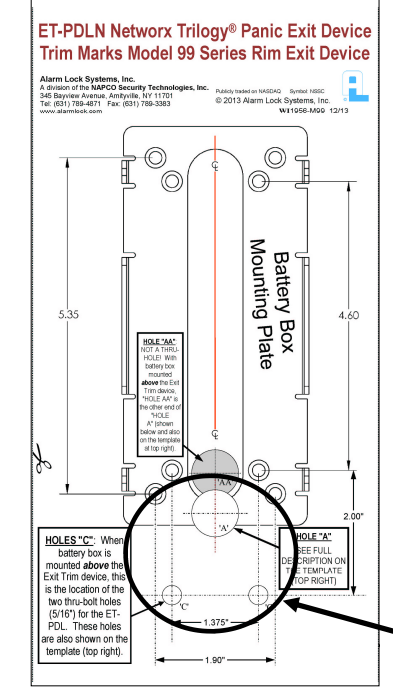
HOLES "C": When battery box is mounted **above** the Exit Trim device, this is the location of the two thru-bolt holes (5/16") for the ET-PDL. These holes are also shown on the template (top right).

HOLE "A"
 SEE FULL DESCRIPTION ON THE TEMPLATE (TOP RIGHT)



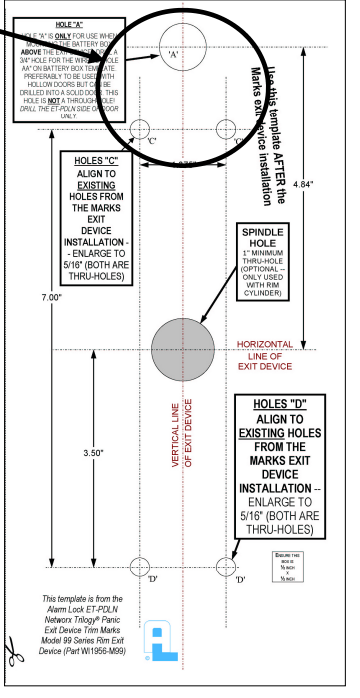
This template is from the Alarm Lock ET-PDLN Networkx Trilogy® Panic Exit Device Trim Marks Model 99 Series Rim Exit Device (Part W11956-M99)

"Battery Box Mounting Plate Template"



Note: There are two templates on this sheet. To show the relationship between the location of the lock body and the Battery Box, the holes "A" and "C" (located at the bottom of the "Battery Box Mounting Plate Template"), are also shown at the top of the "Lock Template". See W11858-M99 for step-by-step instructions.

"Lock Template"



HOLES "D"
 ALIGN TO EXISTING HOLES FROM THE MARKS EXIT DEVICE INSTALLATION -- ENLARGE TO 5/16" (BOTH ARE THRU-HOLES)

ENSURE THIS BOX IS 1/2 INCH X 1/2 INCH