



NET-DKPAK & NET-PDKPAK

## Alarm Lock Wireless Keypad Solution... New Networkx Keypads & NetPanel.

Trilogy Networkx Wireless Keypads and NetPanel combine to provide the ideal wireless keypad solution for use with mag locks, strikes and electrified exit devices in a smart access system with advanced features & functions, like automatic schedules, event logs and support for 2000 doors and 5000 existing Prox. ID Cards/Badges.

The Networkx Panel communicates via a Networkx Gateway networked to any Windows-based PC. Networkx keypads seamlessly share one common database hosted on free Alarm Lock free software (along with Networkx locks and standalone Trilogys too.). This cost effective system is very scalable, and up to 63 NetPanels, controlling up to 126 Networkx Keypads (or wiegand devices), can communicate to as little as one Alarm Lock

Gateway. Two starter kits are available, NET-DKPAK & NET-PDKPAK, each with a controller and keypad (Digital PIN or Prox, respectively). *Additional keypads and NetPanels may also be purchased individually.*

## ADVANTAGES

- New Wireless Keypad solution - networked versions of popular Trilogy DK/PDK3000 Keypads
- Ideal for use with strikes, mags, electrified exit devices
- 5000 users with 3-6 digit PINs or HID® ID cards
- Save manpower - Bidirectional 802.11/ethernet network communications updates, users, time-schedules and audit trail queries — without ever going to the keypads
- Versatile for indoors and outside; ideal for education, healthcare, government, airports, courts, municipalities, & retail
- Familiar Trilogy operation, programming, software and ruggedness
- NetPanel Controller supports 2 Networkx keypads and/or 2 Wiegand output readers /devices
- Key features: Global lockdown and passage from keypad or PC, schedules, 35K event log, door position status indicator, request-to-exit, door ajar/kick-in, remote release options.

## FEATURES

- Networkx NetPanel supports up to 2 Networkx wireless keypads and/or Wiegand-output readers and communicates wirelessly via Ethernet or 802.11B/G for a comprehensive wireless networked door access control system, eliminating door-to-door programming and audit trail retrieval and providing all standalone Trilogy lock functionality plus new network-wide global emergency lockdown/unlock commands
- Networkx Keypads support up to 5000 users with 3-6 digit numeric PIN codes and NETPDK-Series also support prox ID card users (virtually all HID format proximity technology ID cards, fobs, credentials.)
- System-wide free-passage enable or disable, can be activated from the keypad or the Networkx PC
- On demand, in seconds, wirelessly change keypad users, schedules, features or retrieve 35,000 events from any networked PC.
- Ideal for use with mag locks, strikes and electrified exit /panic devices (EL-devices/electrified latch retraction devices.)
- Free Alarm Lock DL-WINDOWS software doesn't require a dedicated computer or a special computer network or costly server software licenses, it simply runs as a secure Microsoft Windows-based application, on any computer system (as basic as a desktop or laptop PC), a wired or wireless router, and a gateway module or on a an internal LAN with static IP address (recommended). MS XP and Vista supported (v4.01 or higher).
- Wall- or ceiling-mountable, compact Alarm Lock Networkx Gateway Modules and are available in wireless/hardwired and wired-only versions (with

Power Over Ethernet (POE) option). The hybrid model connects using either 802.11 or standard Ethernet cable; the wired versions use an RJ-45 Ethernet cable. Networkx communications support both wired Ethernet 10BaseT and wireless 802.11. Networkx Gateways' wireless coverage performance equals or surpasses that of 802.11, with each Gateway spanning up to 900' clear field range or 50,000 square feet of indoor coverage, typical\*\*\*.

- Up to 50 wall- or ceiling-mountable, compact gateway modules can be used per account and are available in wireless/hardwired and wired-only versions, (with Power Over Ethernet (POE) option). The hybrid model connects using either 802.11 or standard Ethernet cable; the wired versions use an RJ-45 Ethernet cable. Networkx communications support both wired Ethernet 10BaseT and wireless 802.11.
- Up to 2000 NetPanels can be used per account to further expand system capabilities.

## NETPANEL DEDICATED CONTROL PANEL INCLUDES

- Circuit board with onboard flash memory;12V power supply, with transformer and rechargeable backup battery
- Inputs supporting two of any combination of NETDK or NETPDK keypads, PLUS up to two Wiegand devices
- Special "Two Door Mode" allows two keypads and/or two Wiegand devices to separately control two doors
- Two Form-C relays
- Inputs for door position contact to indicate the status of the door, open or closed;
- Inputs for a remote release button or sensor
- Onboard bi-directional Networkx radio
- Wiegand interface, red LED, green LED, and sounder.

## SPECIFICATIONS

### Networkx Keypads NETDK / NETPDK

- **Power Requirements:** 12VDC supplied by NET-PANEL
- **Idle Current:** 10mA
- **Maximum Wire Length:** 200 feet (61m)
- **Recommended Wire Size:** 24 AWG minimum
- **Proximity Card Formats Supported:** Alarm Lock standard 36 bit format or HID standard 26 bit format (for use with the model NETPDK only)

### Networkx Panel NETPANEL

- **Housing Dimensions (H x W x D):** 10.5 x 8.5 x 3 in. (26.6 x 21.6 x 7.6 cm)
- **Operating Temperature:** 14-120°F (-10-49°C)

- Input Power: 16.5VAC via Class 2 Plug-In 50VA-Transformer (supplied model TRF-14)
- Maximum Lock Power Output Current: 1.5A @12VDC
- Maximum Wiegand Power Output Current: 250mA @ 12VDC
- Maximum Wiegand Red and Green LED Current: 20mA each output
- Maximum Sounder Current: 100mA
- Maximum Keypad Power Output Current: 200mA@ 12VDC
- Primary and Secondary Relays: SPDT Form C, N/O, N/C 8A @ 30VAC or VDC
- Supplied Backup Battery: Sealed Lead Acid 4AH
- Battery Backup Time: Approximately 2 hours at full load

## WIEGAND DEVICE SUPPORT

The NetPanel's Wiegand inputs currently support all Wiegand output devices, that support the Data 0/Data 1 communications protocol and are compatible with HID Prox credentials (including Wiegand keypads and combination units.)

### Examples of Wiegand Devices Supported:

- HID Classic Swipe Wiegand Reader Model 310 (36-bit card format compatible).
- HID ProxPro with Keypad Model 5355
- HES model RF5910 Hybrid Electric Strike with HID125k reader

\*\*\* Other formats may be accommodated for special orders. Ask you Alarm Lock Representative.

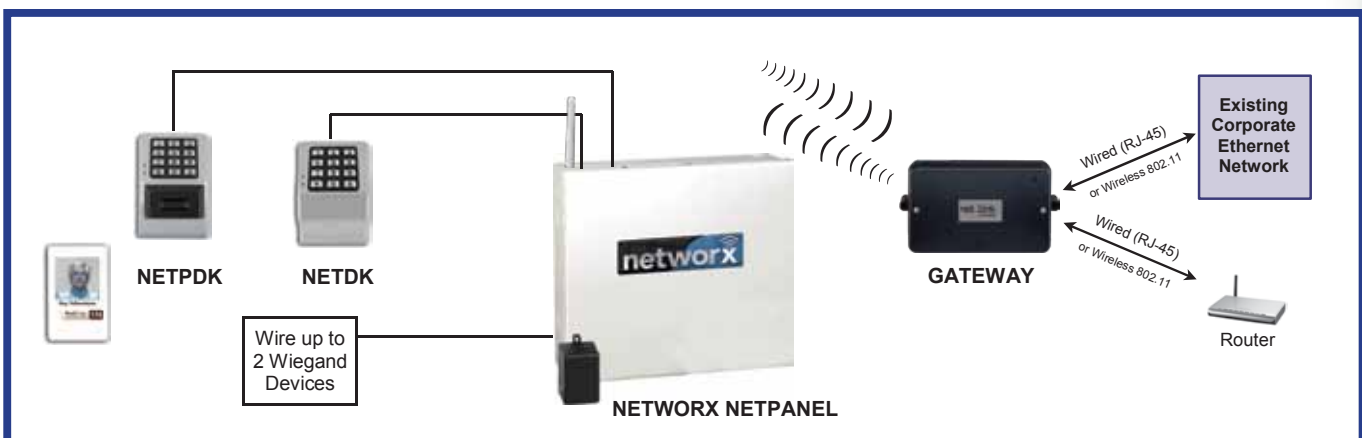
## COMMON APPLICATIONS

- One Keypad only. A single keypad or Wiegand device located outside the restricted area allows passage through a controlled door in one direction only. This method uses the Main Relay to unlock the controlled door, leaving the Aux Relay unused or programmed for one of many other purposes (such as triggering a video camera to record the passage, or to trigger a bell located in

another room).

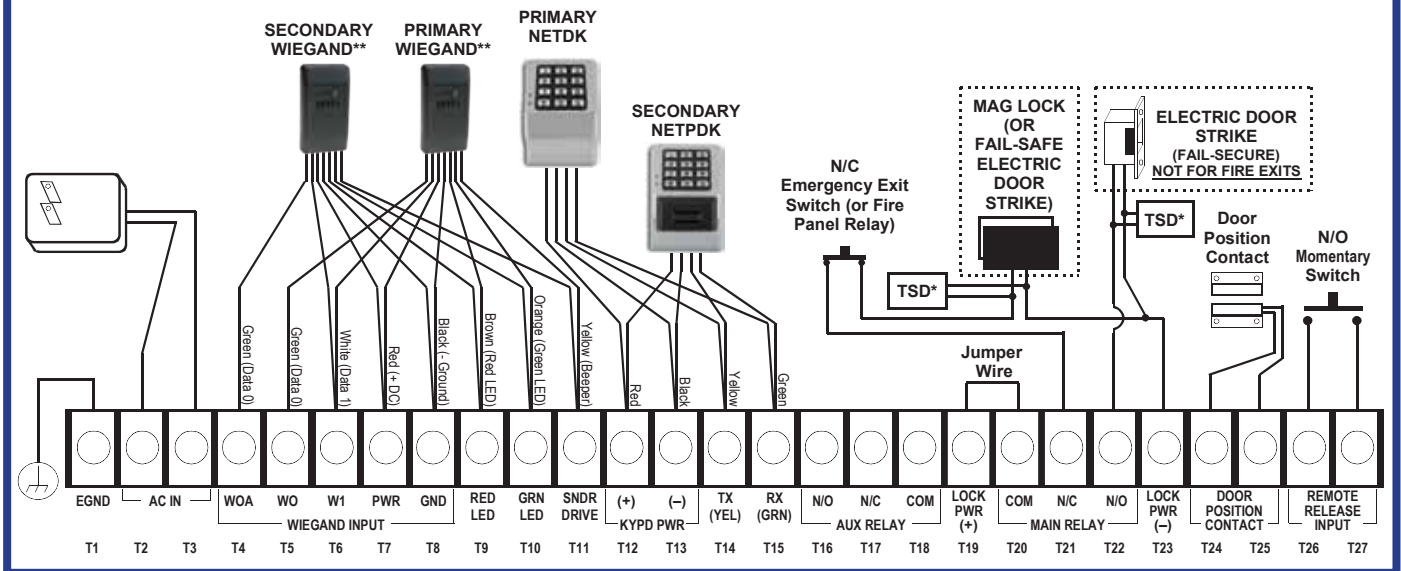
- One Keypad and One "Remote Release" Button. A single keypad or Wiegand device is located outside the restricted area and a remote release button is placed within the restricted area. This method only requires a single keypad or Wiegand device for the controlled door. This method is limited as the credential is identified in the log only for entry via the keypad, not for exit (activation of the remote release button is logged, but the identification of the person(s) exiting is not).
- Two Wiegand Devices controlling one door: Uses two Wiegand devices, one mounted inside and the other outside the restricted area. This configuration requires a User Code and/or proximity credential for both entry and exit from the restricted area. Each credential is logged with a specific Wiegand device identified, thus the credential used to enter or exit the restricted area can easily be determined.
- Two Networx™ Keypads controlling one door: Uses two of any combination keypad models, one mounted inside and the other outside the restricted area. This configuration requires a User Code (and/ or proximity credential with the NETPDK integral proximity reader) for both entry and exit from the restricted area. Each credential is logged with a specific keypad identified ("primary" or "secondary"), thus the credential used to enter or exit the restricted area can easily be determined.
- "Two Door Mode": Two Networx keypads (and/or two Wiegand devices) can be used to separately control two doors. With Two Door Mode, one keypad is designated as the "primary" keypad controlling the Main Relay (thus a primary door), and the other as the "secondary" keypad controlling the Aux Relay (thus a secondary door). To control passage through only one door, a specific User Code can be enabled for use with only one of the two keypads, therefore allowing control of only one of the two doors.

## SIMPLE NETWORKX WIRELESS KEYPAD SYSTEM



# MAGNETIC LOCK AND/OR ELECTRIC DOOR STRIKE ONE OR TWO DOORS/ TWO KEYPADS AND/OR TWO WIEGAND DEVICES

The system is capable of controlling two doors using up to two of any combination of NETDK or NETPDK keypads, PLUS up to two Wiegand devices. Two auxiliary Form-C relays are available for up to two of any combination of magnetic locks and/or electric door strikes.



\*TSD = Transient Suppression Device (two supplied): Mount the TSD as close to the device to be protected as possible.  
\*\*Example device shown: HID ProxPoint Plus Model 6005B.

## ORDERING INFO.

**NETPDKPAK26D** Complete 2-Door NetPanel System with 1 PDK wireless keypad with built in HID Prox Reader, 26D finish. \*\*\*\* Includes 12 volt power supply, onboard bidirectional radio, 4Ah/12V rechargeable backup battery and plug in AC transformer. (System requires use of one of the AL-IM Series Gateway Modules, separately purchased.)

**NETDKPAK26D** Complete 2-Door NetPanel System with 1 DK wireless keypad, 26D finish. \*\*\*\* Includes 12 volt power supply, onboard bidirectional radio, 4Ah/12V rechargeable backup battery and plug in AC transformer. (System requires use of one of the AL-IM Series Gateway Modules, separately purchased.)

**NETPDK26D** PDK Wireless Keypad with built in HID Prox Reader only, 26D finish. \*\*\*\*

**NETDK26D** DK Wireless keypad only, 26D finish. \*\*\*\*  
(\*\*\*\*Note: Special keypad finishes may also be available – ask your Alarm Lock Rep.)

**NETPANEL** Access Control Panel to be used with other approved Wiegand output readers. Includes 12 volt power supply, onboard bidirectional radio, 4Ah/12V rechargeable backup battery and plug in AC transformer.

**DL-WINDOWS** Free Alarm Lock Trilogy Microsoft Windows-based software application, v.4.177 or higher, supports Trilogy Network Wireless Keypads, Locks and Trilogy standalone locks, with single database. No-charge, downloadable online at [www.alarmlock.com](http://www.alarmlock.com)

**AL-IM80211** Hardwire/Wireless Gateway Interface Module, with integral bi-directional radio, interfaces Networkx keypads/locks with PC network with hardwired Ethernet and wireless 802.11. Powered with Class 2, 6VAC transformer (supplied). Supports up to 63 Networkx NetPanels. Two antennas. Ceiling or wall mountable.

**AL-IME** Hardwire Gateway Interface Module, supports up to 63 Networkx NetPanels, similar to above, but using hardwired connection to the network via RJ45 Ethernet cable. One antenna. Powered with Class 2, 6VAC transformer (supplied). Ceiling or wall mountable.

**AL-IMEPOE** Hardwire Gateway Interface Module + POE, supports up to 63 Networkx NetPanels, as above, but using hardwired Ethernet and Power Over Ethernet (P.O.E.). Connects directly to a network via Ethernet cable. One antenna. Ceiling or wall mountable.

\*\* Note: Battery life is directly proportionate to activations: users, door usage, program updates and audit trail downloads. Expected 5 year+ battery consumption estimate assumes 2000 authorized users, 100 passes per day, 365 days per year; daily updates changing one user and downloading 200 logged events every day.

\*\*\* Note: Actual coverage is dependent upon building construction and mounting location of Gateway. Multiple AL-IM Series Gateways may be used for large coverage areas.



**ALARM LOCK**

Amityville, NY 11701 • USA • 1-800-ALA-LOCK  
631-789-4871 • Fax: 631-789-3383 • [www.alarmlock.com](http://www.alarmlock.com)