

# ArchiTech Designer Wireless Access Control Platform

Standalone • Networked • Enterprise



ArchiTech Series Networkx Locks are an ideal access control solution; elegantly blending advanced wireless access control convenience within any décor, in an attractive, infinitely customizable designer locking form factor, in choice of trims and finishes. Ideal for educational, commercial office or multi-dwelling residential settings, these stylish, durable locks, leveraging proven Networkx access control technology, offer a choice of ID credential technology, and can be used to control access a door at a time; across a wireless network; or as an integral part of a new or existing enterprise security system—spanning a few, or thousands of doors, in one building, a campus or multiple sites around the world.



Mortised-in Electronics

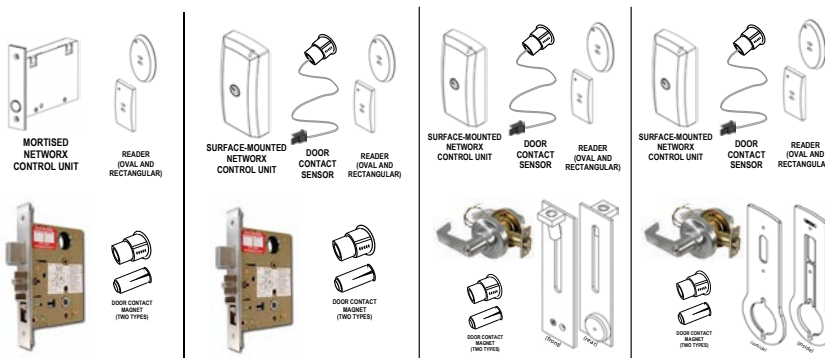


Surface mount models

## Performance Overview

- **All Applications and Doors** - Cylindrical and Mortise models for wood and metal doors, for new and existing applications, with wireless surface mount or mortised-in electronics and batteries.
- **Customize To Match Any Aesthetic Look, For Every Décor** - Over 300 locks, levers, roses and finishes to choose from, durable ANSI/BHMA Grade 1 hardware over 300 locks, levers, roses and finishes
- **Future-Proof Multi-Technology Access ID Credentials Replace Cumbersome Keys** - HID® Prox, Mag Stripe, Smart Cards, PIV, keyfobs and remote buttons
- **Emergency Lock-Down** option via lock, button, keyfob or server (where networked). (Global Unlock via server too.)
- **Proven, Low Maintenance, Wireless Installation And Unsurpassed Battery-Life with Advanced Power-Saver circuit**, with years of use in even high-traffic areas, using off-the-shelf AA batteries.
- **Flexible System Programming** Locally using a USB Gateway or remotely across a wireless network (using free Alarm Lock DL-WINDOWS Windows- based software) or integrated on an enterprise class IT environment, in realtime, using either Continental -Access® CA3000 v2.9+ or Lenel® OnGuard® v6.6 and 6.5+
- **Networking Choices** - Choose 802.11 or Ethernet network, with wireless encrypted bi-directional gateways, in which many locks communicate to a single gateway, or use a wireless RF USB Gateway equivalent. For entry door applications and the like, used in conjunction with strikes and mags, use with Network NetPanels. Or, use as a single-door control, as part of the IT-Network environment, with CA3000 or OnGuard®, as above.

## Standard Configurations



# ArchiTech™ Standalone Keyless Access System &



## Standalone Specifications

- **ArchiTech Series combine attractive, durable Grade 1 locksets with proven wireless Networx access control technology** in one aesthetically - pleasing standalone access control and locking package.
- **Ideal for all discriminating applications**, from high-rise residences or offices to universities, anywhere keyless access control would be welcome and convenient
- **Support for a variety of access control credentials** from ID cards and badges, e.g., prox., mag stripe and smart cards, to several keyfob styles.
- **Ultra décor-compatible, there are unlimited combinations of 300+ architectural trims, lever or knob designs trims & finishes**, for an entirely custom look – all durable ANSI/BHMA Grade 1.
- **Flexible for any application and door, wood or metal**, the standalone, self-contained system is wireless and can be surface mounted or recessed within the door
- **Low maintenance**, the durable system is also powered by 4 off-the-shelf AA Batteries – with unsurpassed long-battery life for up to 3 to 4 years using advanced Power-Saver circuit.
- **Readily networked for future requirements**



*Shown with mortised-in electronics and batteries*

## Features:

- 5000 Users, 500 Scheduled Events & 40,000 Event Audit Trail
- Surface-Mount or Mortised-in Electronics and Battery Pack
- Lock available in Mortise and Cylindrical versions
- Real Time Clock
- Uses 4 AA Batteries – 3 to 4 year battery life, typ. using advanced Power-Saver circuit.
- Operated via access card, key fob etc.
- DL-Windows Software for programming
- USB Radio Gateway Method or Via Networx Gateways (Ethernet, 802.11 or POE)
- Manual Card Enrollment Option for Quick Installation
- Wireless programming range: up to 100 ft.
- ANSI / BHMA Grade 1 Certified, UL Listed 3 Hours
- Includes standard lever rose hardware design
- Compatible with all 300+ optional architectural trim / lever or knob designs
- Stainless steel latch, 2-3/4" backset
- Auto-Reverse lock body tested to 6 million cycles
- Lock Body - Self cleaning long life motor
- Door closure monitor / electronic deadbolt monitor
- Key override standard or high-security
- Optional integrated door position indicator switch

# & Wireless Networked Access System



*Optional Keyfobs for Convenience or Lock-Downs in an emergency condition. Both global lockdown and unlock are also provided at server, for networked systems.*



## Standard Features:

- **ArchiTech™ Access Lock Series blend architecturally-pleasing aesthetics with Alarm Lock Network's advanced, scalable proven, keyless access-control locking platform**
- **Beautifully complementing any décor, ArchiTech Series meets architectural and designer tastes, for new and existing applications**, with the choice of unlimited combinations of several hundred architectural trims & finishes, in mortise and cylindrical lock styles.
- **Functionality & Form for every Application:** Schools, Dormitories, Hospitals, Multi-Dwelling Co-ops, Condos and Senior Living, Corporate, Law Offices & Courthouses, etc.
- **Future-proof, ArchiTech's attractive Prox ID reader adapts to multi-credential technologies** today, and in the coming years: Prox, Magstripe, Smart Cards, PIV, etc.
- **Secure Network / IT-Friendly** – ArchiTech Locks are flexible. The lock can use its own free Windows-based software and either an 802.11 or Ethernet network. Also, ArchiTech can be used with wireless encrypted bi-directional gateways, in which many locks communicate to a single gateway, or use a wireless RF USB Gateway equivalent. It can also be used in same system, or entry areas, with electric strikes or mags, using Network NetPanels.
- **Wirelessly and labor-free, updates, ID changes, scheduled routines, and time-/date-stamped audit trail queries** don't require going door to door. All can be securely made over the wireless network, on-demand, or set schedule.
- **In emergencies, campus-wide Lockdown commands can be activated globally in seconds**, via ID card, fobs, mounted button, from any other locks, or from the server. ArchiTech's vivid indicator light on inside and outside door confirms it's been set. (Global unlock can also be activated from server.)
- **Proven, low maintenance** with durable all ANSI/BHMA Grade 1. hardware and unsurpassed battery-life, with up to 3 to 4 years of use, using AA batteries and advanced Power-Saver circuit. Approx. 2 years in real-time enterprise environments. (Actual battery life dependent upon setting, traffic and transactions.)

## Wireless Networked Specifications:

- Supports up to 5000 Key-free users
- Multiple access credential technologies, prox, mag stripe, smart cards, fobs, or stationary button (adapts to future technologies, too)\*\*
- Global Lock-Down in emergency activated from lock, key fobs, panic button or server. (Global Unlock from server too)
- Enables 500 Scheduled Events, lock, unlock, queries, etc.
- Provides 40,000 Event Audit Trail, with time- and date-stamp of access by user
- Recessed and Surface Mount Models
- Available in Mortise and Cylindrical Versions
- Real Time Clock
- Uses 4 standard AA Batteries – 3 to 4 year battery life credential dependent. Advanced Power-Saver circuit, with scheduled radio-dormant mode.
- Compatible with infinite selection of architectural trims and 300+ lever designs
- Built In wireless capability for easy installation

## Features:

- Administrative DL-Windows Software for programming\*\*
- PC Radio USB Radio Equivalent Programming Method or Via Network Gateways (in Ethernet, 802.11 or POE models)
- Manual Card Enrollment Option for Quick Installation
- Wireless programming range: up to 100 ft.
- Grade 1 locking hardware for added durability
- Integrated Door position switch
- Seamlessly Integrates with Network NetPanel Wireless Access Panel for use with electric strikes, mag locks.
- For Real-time Access Options\*\*- Also see Enterprise Platform options with Lenel OnGuard® or Continental Access® CA3000

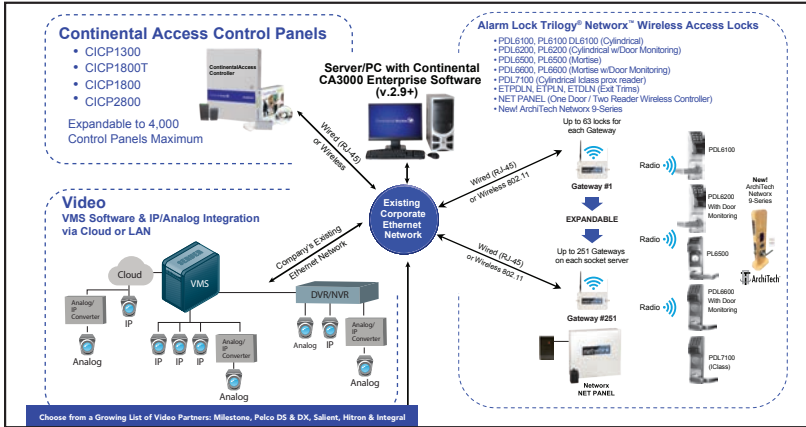


Continental Access  
CardAccess® 3000

# ArchiTech Enterprise Solution Integrating Locking, Access Control, Video & Alarms



## An example of a CA3000 Enterprise Integration with ArchiTech Networkx Locks:

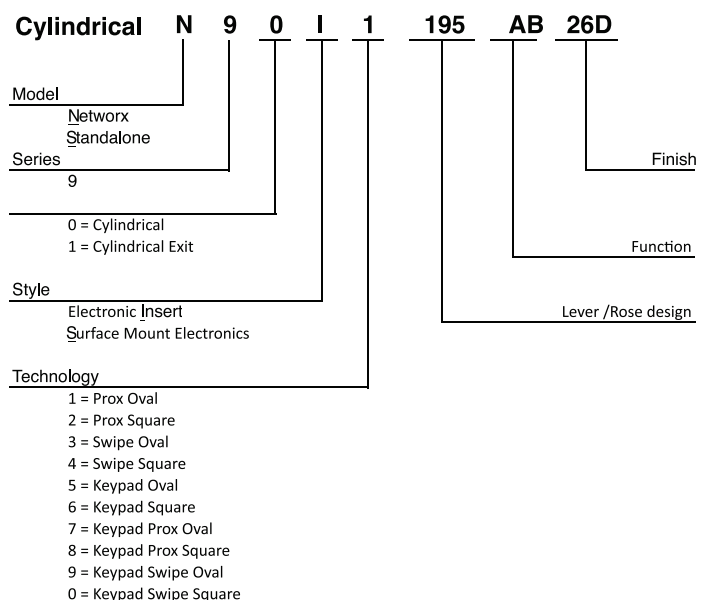
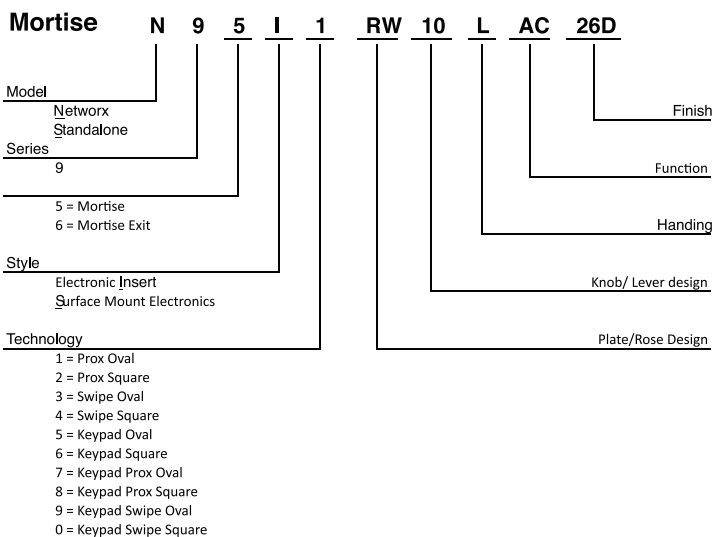


- Risk and security managers can simplify security administration this attractive, interoperable enterprise platform for locking, access control, alarms, video, badging, elevator control & visitor management scalable from one to over tens-of-thousands of doors, for one building, an entire campus, or over many remote locations across the world.
- With infinite finish and trim choices and multiple access credentials, are Ideal for blending sophisticated keyless access into any aesthetic or application, supporting both ArchiTech, and all standard Networkx Series wireless locks in real time.
- Support virtually unlimited users and multiple card/ID technologies simultaneously, prox, smart cards, PIV cards, magstripes, HID fobs and more.
- Acting as cost-effective, wireless single-door controllers within your choice of several leading enterprise software platforms, with integral door position indicator and power built in, they're ideal intelligent edge devices.
- Proven, low maintenance with durable all ANSI/ BHMA Grade 1. hardware and unsurpassed battery-life, with approx. 2 years of use, in real-time, in even high-traffic areas, using off-the-shelf AA batteries & advanced Power-Saver circuit, with scheduled radio-dormant mode. (Actual battery life dependent upon setting, traffic and transactions.)

### Enterprise Environment Specifications:

- Finally it's possible to integrate advanced, wireless, keyless access control in custom designer style, in real time, within a full-featured, enterprise-class IT environment such as Continental Access® CA3000® or Lenel® OnGuard®
- Ideal for educational, commercial office or residential multi-dwelling settings, durable Grade 1 locks plus choice of ID credential technology, attractive ArchiTech models can be added on to control doors within existing enterprise systems or part of a new building's overall design.

### Standard Model Ordering. Infinite Custom Models Also Available, Call for Ordering Assistance



### Alarm Lock • Continental Access • Marks USA - Napco Security Technologies, Inc.

333 Bayview Ave, Amityville, NY USA 1.800.645.9445 Fax: 631.789.9292 • architechsales@napcosecurity.com • www.napcosecurity.com