

## ALARM LOCK LIMITED WARRANTY

ALARM LOCK SYSTEMS, INC. (ALARM LOCK) warrants its products to be free from manufacturing defects in materials and workmanship for twenty four months following the date of manufacture. ALARM LOCK will, within said period, at its option, repair or replace any product failing to operate correctly without charge to the original purchaser or user.

This warranty shall not apply to any equipment, or any part thereof, which has been repaired by others, improperly installed, improperly used, abused, altered, damaged, subjected to acts of God, or on which any serial numbers have been altered, defaced or removed. Seller will not be responsible for any dismantling or reinstallation charges, environmental wear and tear, normal maintenance expenses, or shipping and freight expenses required to return products to ALARM LOCK. Additionally, this warranty shall not cover scratches, abrasions or deterioration due to the use of paints, solvents or other chemicals.

THERE ARE NO WARRANTIES, EXPRESS OR IMPLIED, WHICH EXTEND BEYOND THE DESCRIPTION ON THE FACE HEREOF. THERE IS NO EXPRESS OR IMPLIED WARRANTY OF MERCHANTABILITY OR A WARRANTY OF FITNESS FOR A PARTICULAR PURPOSE. ADDITIONALLY, THIS WARRANTY IS IN LIEU OF ALL OTHER OBLIGATIONS OR LIABILITIES ON THE PART OF ALARM LOCK.

Any action for breach of warranty, including but not limited to any implied warranty of merchantability, must be brought within the six months following the end of the warranty period.

IN NO CASE SHALL ALARM LOCK BE LIABLE TO ANYONE FOR ANY CONSEQUENTIAL OR INCIDENTAL DAMAGES FOR BREACH OF THIS OR ANY OTHER WARRANTY, EXPRESS OR IMPLIED, EVEN IF THE LOSS OR DAMAGE IS CAUSED BY THE SELLER'S OWN NEGLIGENCE OR FAULT.

In case of defect, contact the security professional who installed and maintains your security system. In order to exercise the warranty, the product must be returned by the security professional, shipping costs prepaid and insured to ALARM LOCK. After repair or replacement, ALARM LOCK assumes the cost of returning products under warranty. ALARM LOCK shall have no obligation under this warranty, or otherwise, if the product has been repaired by others, improperly installed, improperly used, abused, altered, damaged, subjected to accident, nuisance, flood, fire or acts of God, or on which any serial numbers have been altered, defaced or removed. ALARM LOCK will not be responsible for any dismantling, reassembly or reinstallation charges, environmental wear and tear, normal maintenance expenses, or shipping and freight expenses required to return products to ALARM LOCK. Additionally, this warranty shall not cover scratches, abrasions or deterioration due to the use of paints, solvents or other chemicals.

This warranty contains the entire warranty. It is the sole warranty and any prior agreements or representations, whether oral or written, are either merged herein or are expressly cancelled. ALARM LOCK neither assumes, nor authorizes any other person purporting to act on its behalf to modify, to change, or to assume for it, any other warranty or liability concerning its products.

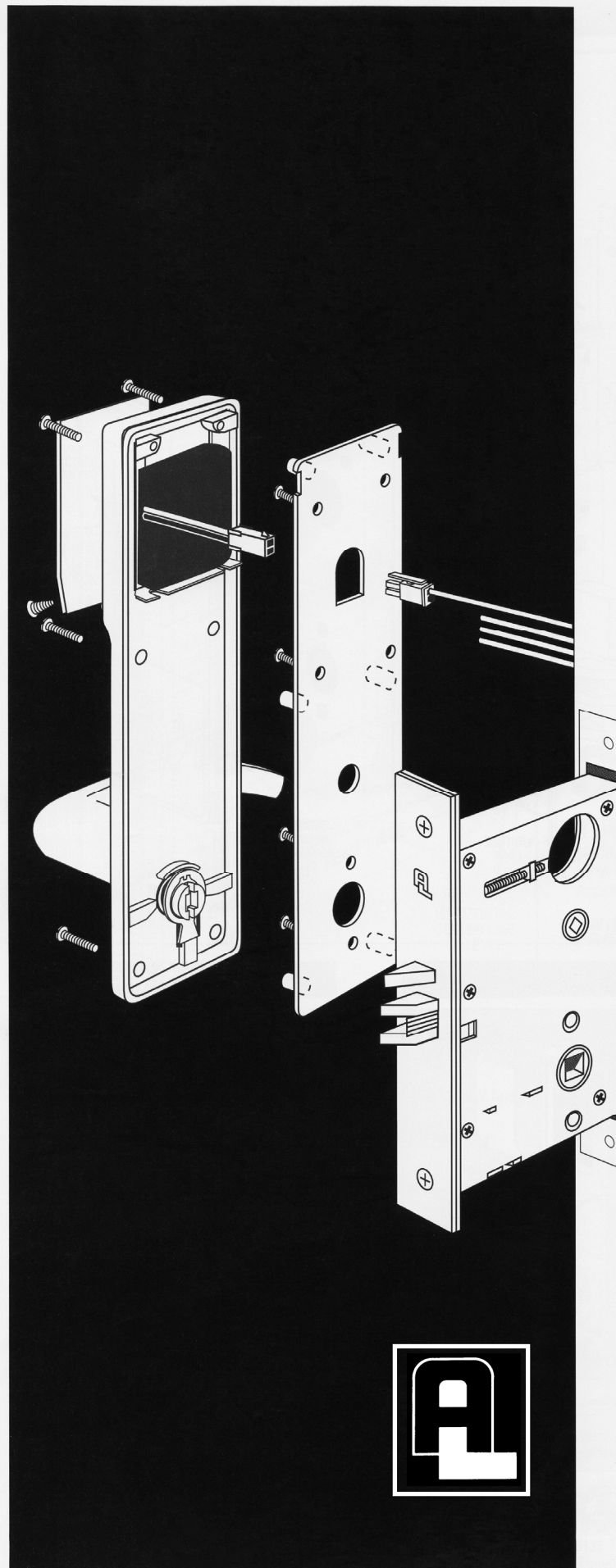
In no event shall ALARM LOCK be liable for an amount in excess of ALARM LOCK's original selling price of the product, for any loss or damage, whether direct, indirect, incidental, consequential, or otherwise arising out of any failure of the product. Seller's warranty, as hereinabove set forth, shall not be enlarged, diminished or affected by and no obligation or liability shall arise or grow out of Seller's rendering of technical advice or service in connection with Buyer's order of the goods furnished hereunder.

ALARM LOCK RECOMMENDS THAT THE ENTIRE SYSTEM BE COMPLETELY TESTED WEEKLY.

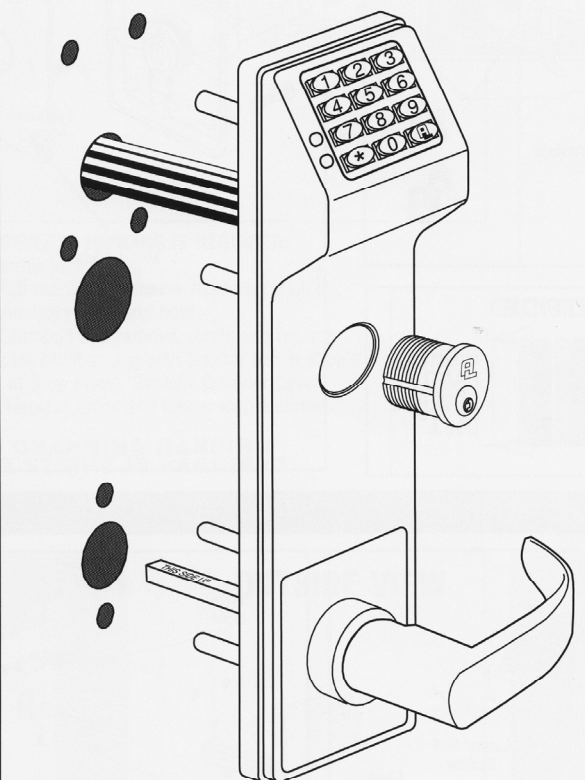
**Warning:** Despite frequent testing, and due to, but not limited to, any or all of the following; criminal tampering, electrical or communications disruption, it is possible for the system to fail to perform as expected. ALARM LOCK does not represent that the product/system may not be compromised or circumvented; or that the product or system will prevent any personal injury or property loss by burglary, robbery, fire or otherwise; nor that the product or system will in all cases provide adequate warning or protection. A properly installed and maintained alarm may only reduce risk of burglary, robbery, fire or otherwise but it is not insurance or a guarantee that these events will not occur. CONSEQUENTLY, SELLER SHALL HAVE NO LIABILITY FOR ANY PERSONAL INJURY, PROPERTY DAMAGE, OR OTHER LOSS BASED ON A CLAIM THE PRODUCT FAILED TO GIVE WARNING. Therefore, the installer should in turn advise the consumer to take any and all precautions for his or her safety including, but not limited to, fleeing the premises and calling police or fire department, in order to mitigate the possibilities of harm and/or damage.

ALARM LOCK is not an insurer of either the property or safety of the user's family or employees, and limits its liability for any loss or damage including incidental or consequential damages to ALARM LOCK's original selling price of the product regardless of the cause of such loss or damage.

Some states do not allow limitations on how long an implied warranty lasts or do not allow the exclusion or limitation of incidental or consequential damages, or differentiate in their treatment of limitations of liability for ordinary or gross negligence, so the above limitations or exclusions may not apply to you. This Warranty gives you specific legal rights and you may also have other rights which vary from state to state.



## The Keyless, Electronic Mortise Lockset INSTALLATION INSTRUCTIONS

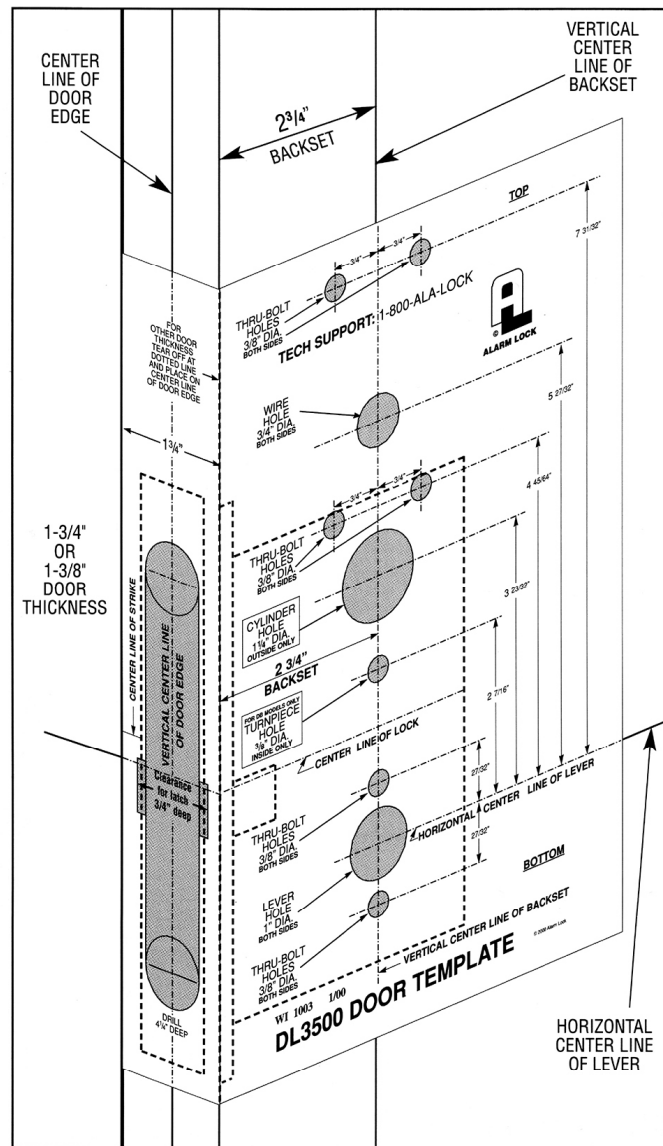


**ALARM LOCK SYSTEMS, INC.**  
A division of the **NAPCO Security Group**  
345 Bayview Avenue, Amityville, NY 11701  
(631) 789-4871 1-800-252-5625  
Fax: (631) 789-3383

© 2000, Alarm Lock TRILOGY is a registered trademark of Alarm Lock.

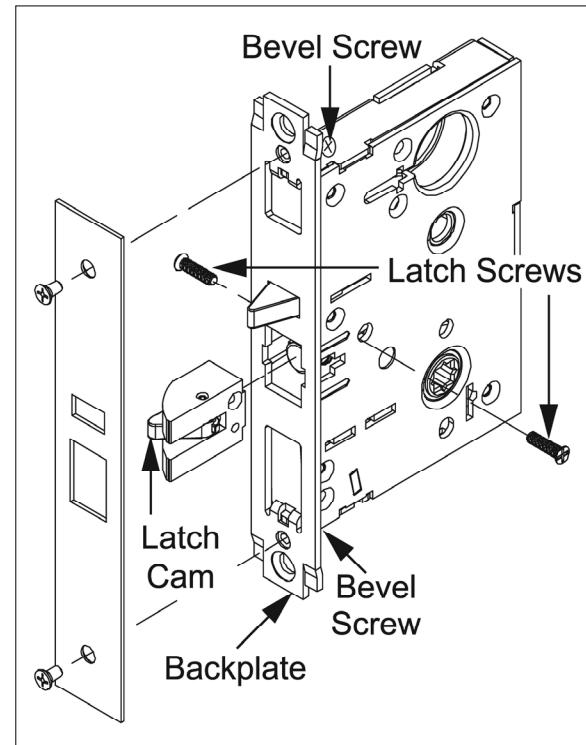
**TECH SUPPORT: 1-800-ALA-LOCK**

**PREPARING DOOR FOR INSTALLATION**



**IF REVERSE HANDING IS REQUIRED:**

**3** FOR HANDING, SEE ATTACHED STICKER ON THE LOCK BODY:

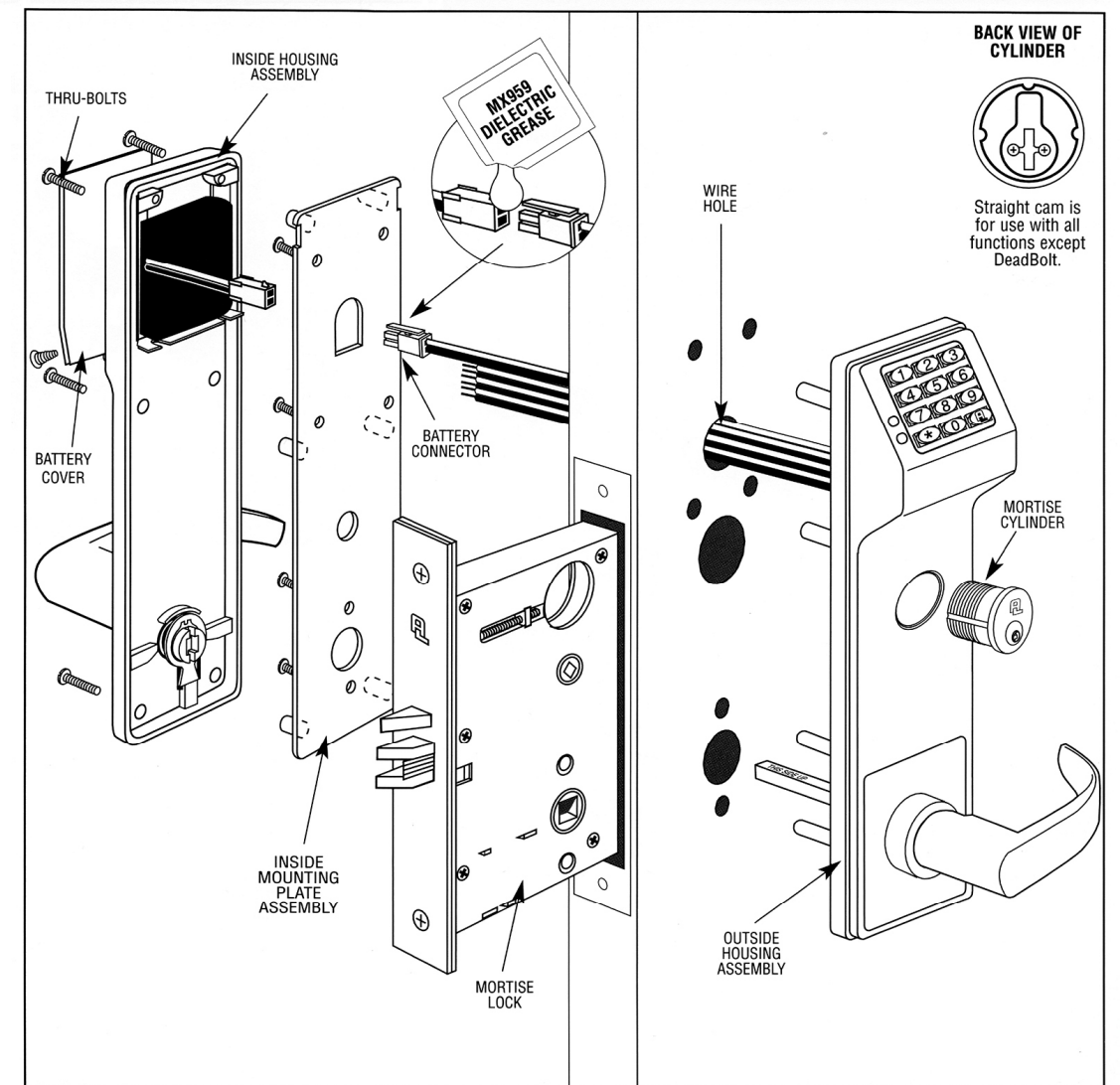


**REVERSE LATCH:**

1. Remove front plate.
2. Depress latch, unscrew both latch screws (one from each side of the lock).
3. Tilt latch cam to remove latch. Re-insert for desired handing.
4. Replace the latch screws and adjust bevel of backplate.
5. Replace front plate.

LA3247

**REFERENCE: EXPLODED VIEW**



**PREPARING LOCK FOR INSTALLATION:**

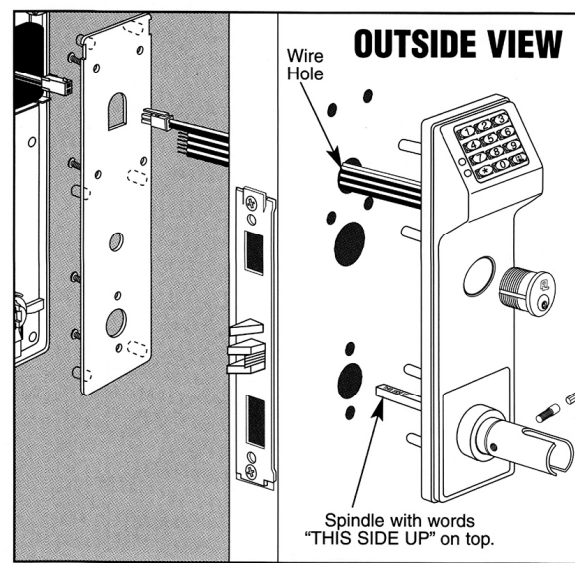
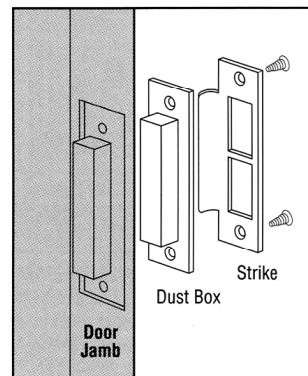
**1 DOOR PREPARATION:**

- A. Mark Horizontal Center Line of Lever (at recommended height) on both sides of door. Mark Vertical Center Line of Door edge. Mark Vertical Center Line of Backset (2-3/4") on both sides of door.
- B. Tape template in position on door, lining up with horizontal and vertical lines.
- C. Mark all hole centers on each side of door as per template.
- D. Mortise for lock and lock front in center of door edge as per template.
- E. Drill all holes as required. It is recommended that all through holes be drilled from each side to avoid splintering.

**METAL DOORS** require horizontal and vertical lock case support provided by door manufacturer.

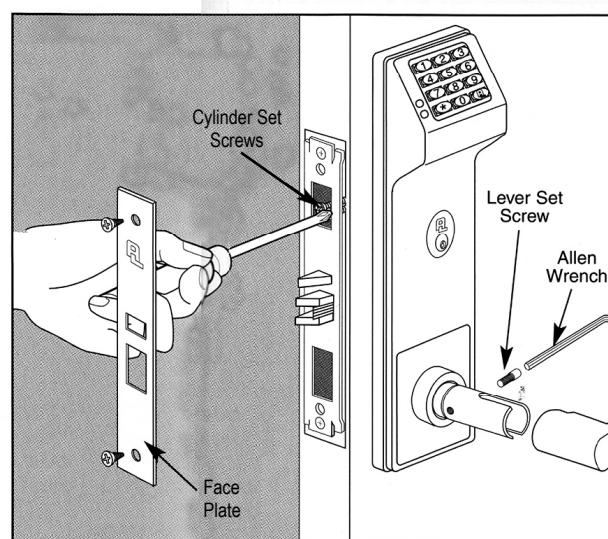
**2 STRIKE INSTALLATION:**

- A. Position strike on door jamb and trace. Strike center line should be 3/8" above lock's center line.
- B. Mortise into door jamb deep enough for dust box.
- C. If dust box is not used, mortise deep enough to allow latchbolt and dead bolt to fully extend.



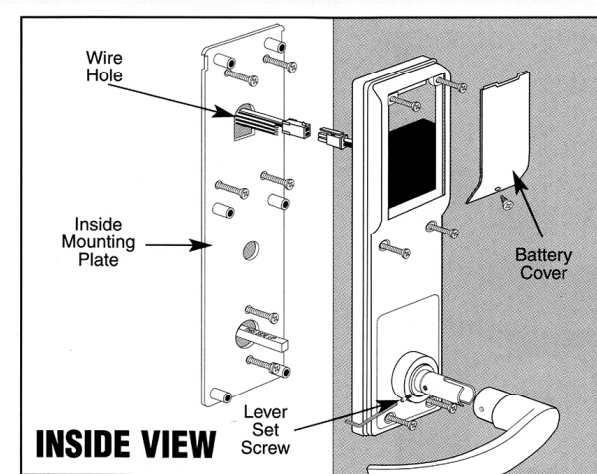
**4 INSTALLING LOCK AND OUTSIDE TRIM ASSEMBLY**

- A. Insert lock into cavity and fasten with 2 screws.
- B. Push all wires through Wire Hole in door and place Outside Housing Assembly on door and through lock.
- C. Spindle position must be with words "THIS SIDE UP" on top.



**5 INSTALLING CYLINDER AND LEVER**

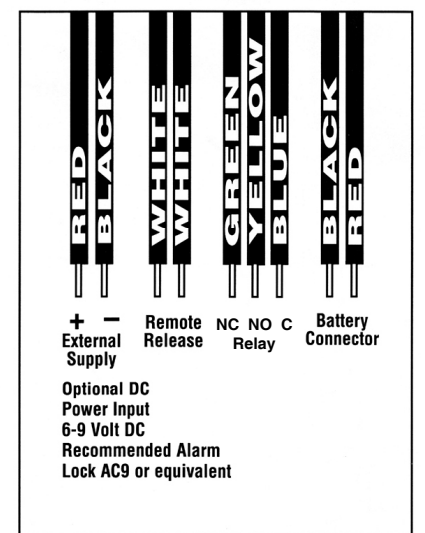
- A. Thread Cylinder through Outside Assembly and tighten up as far as possible. Make sure keyway is at bottom of cylinder.
- B. Tighten the Cylinder Set Screw nearest the cylinder.
- C. Position and fasten faceplate with 2 screws.
- D. Slide lever on spindle and fasten with Lever Set Screw.



**6 INSTALL INSIDE ASSEMBLY**

- A. Pull all wires through wire hole and Inside Mounting Plate.
- B. Position and fasten Inside Mounting Plate with 6 screws. Do not pinch or cut wires.
- C. Position Inside Housing Assembly on door and fasten with 6 screws.
- D. Align and plug together Battery Connector. Seal with Dielectric Grease included. Fold wires and slide battery case into Inside Housing assembly.
- E. Position and fasten Battery Cover with 1 screw.
- F. Slide lever on spindle and fasten with the Lever Set Screw.

**REFERENCE: WIRING**



**BEFORE CLOSING DOOR TEST LOCK FOR PROPER OPERATION**