

MODEL DL2700DB & CR (DeadBolt & Classroom Models) PARTS LIST



ALARM LOCK
345 Bayview Avenue, Amityville, New York 11701
For Sales and Repairs 1-800-ALA-LOCK
For Technical Service 1-800-645-9440
or visit us at <http://tech.napcosecurity.com/>
(Note: Technical Service is for security professionals only)
Publicly traded on NASDAQ Symbol: NSSC
© ALARM LOCK 2017

WI2223 02/17

Key	S Part#	Description	Key	Part #
1a	S6127-26D	Battery Cover	1+8	
1b	S6127-26	Battery Cover	1+8	
1c	S6127-US3	Battery Cover	1+8	
1d	S6127-US5	Battery Cover	1+8	
1e	S6127-26D	Battery Cover	1+8	
2a	S6128-26D	In/Out Lever-Straight		
2b	S6128-26	In/Out Lever-Straight		
2c	S6128-US3	In/Out Lever-Straight		
2d	S6128-US5	In/Out Lever-Straight		
2e	S6128-10B	In/Out Lever-Straight		
2a	S6129-26D	In/Out Lever-Regal		
2b	S6129-26	In/Out Lever-Regal		
2c	S6129-US3	In/Out Lever-Regal		
2d	S6129-US5	In/Out Lever-Regal		
2e	S6129-10B	In/Out Lever-Regal		
3a	S6130-26D	InsideHousingAss'yDB		
3b	S6130-26	InsideHousingAss'yDB		
3c	S6130-US3	InsideHousingAss'yDB		
3d	S6130-US5	InsideHousingAss'yDB		
3e	S6130-10B	InsideHousingAss'yDB		
3a	S6131-26D	InsideHousingAss'yCR		
3b	S6131-26	InsideHousingAss'yCR		
3c	S6131-US3	InsideHousingAss'yCR		
3d	S6131-US5	InsideHousingAss'yCR		
3e	S6131-10B	InsideHousingAss'yCR		

Mounting Screws (4)

4a	S6135-26D	#6-32x3/8", Oval Head	4+6+7	SC476-26D
4b	S6135-26	#6-32x3/8", Oval Head	4+6+7	SC476-26
4c	S6135-US3	#6-32x3/8", Oval Head	4+6+7	SC476-US3
4d	S6135-US5	#6-32x3/8", Oval Head	4+6+7	SC476-US5
4e	S6135-10B	#6-32x3/8", Oval Head	4+6+7	SC476-10B

Mounting Screws (2)

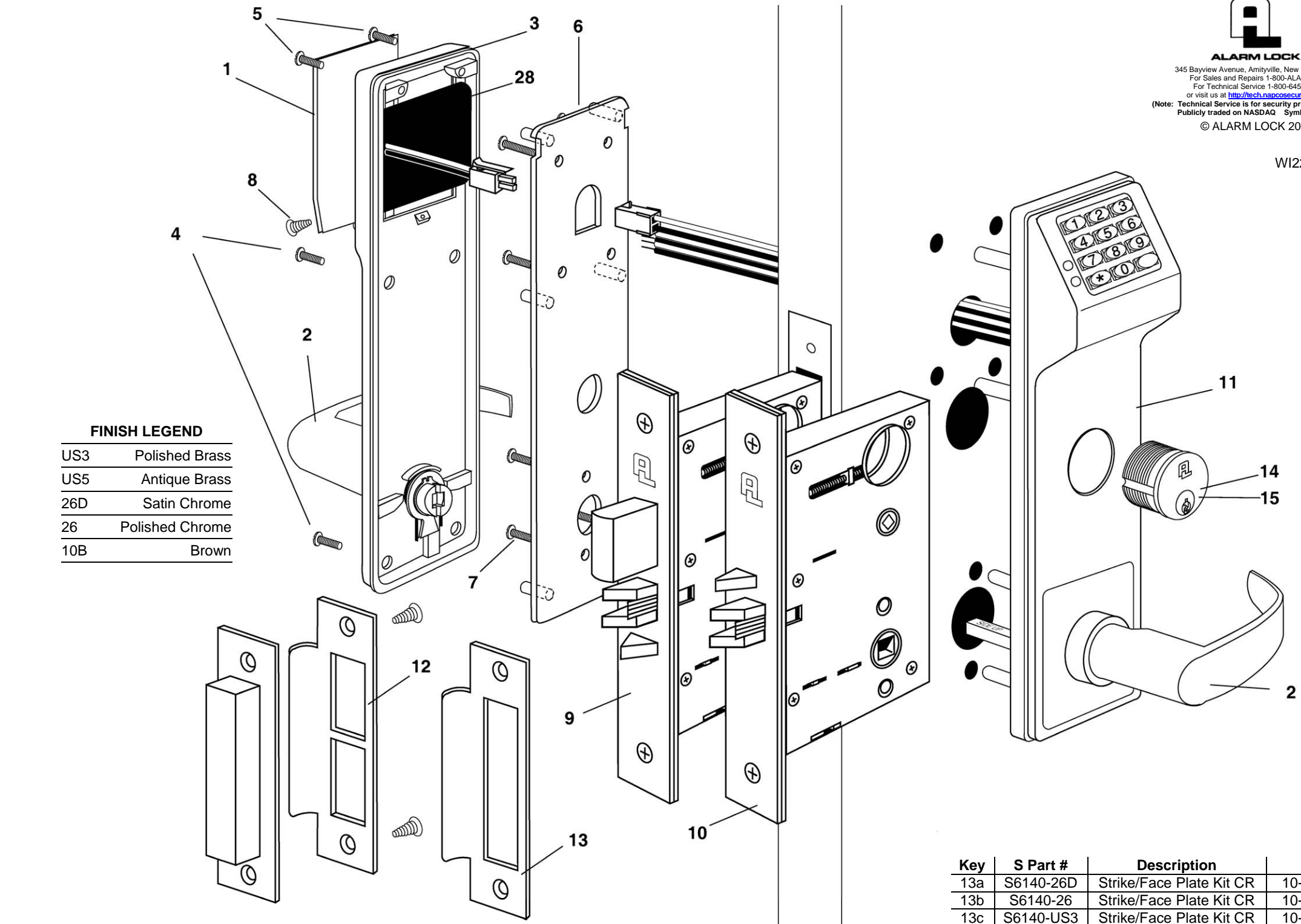
5	SC478	#6-32x3/8", Flat Head	4+5+7	
6	SC136	Inside Mounting Plate		

Inside Mounting Plate Screws (6)

7	SC479	#8-32x1", Flat Hd., PH, MS	4+5+7	
8a	P5851-26D	#4-40x1/4", Flat Hd., PH, MS	1+8	
8b	P5851-US3	#4-40x1/4", Flat Hd., PH, MS	1+8	

Lock Body-DeadBolt (DB)

Key	S Part #	Description	Key
9a	S6137-26D	LockBody-DeadBolt-LH	9+12
9b	S6137-26	LockBody-DeadBolt-LH	9+12
9c	S6137-US3	LockBody-DeadBolt-LH	9+12
9d	S6137-US5	LockBody-DeadBolt-LH	9+12
9e	S6137-10B	LockBody-DeadBolt-LH	9+12
9a	S6141-26D	LockBody-DeadBolt-RH	9+12
9b	S6141-26	LockBody-DeadBolt-RH	9+12
9c	S6141-US3	LockBody-DeadBolt-RH	9+12
9d	S6141-US5	LockBody-DeadBolt-RH	9+12
9e	S6141-10B	LockBody-DeadBolt-RH	9+12



FINISH LEGEND

US3	Polished Brass
US5	Antique Brass
26D	Satin Chrome
26	Polished Chrome
10B	Brown

Lock Body-ClassRoom (CR)

Key	S Part #	Description	Key
10a	S6138-26D	Lock Body-Deadbolt-LH	10+13
10b	S6138-26	Lock Body-Deadbolt-LH	10+13
10c	S6138-US3	Lock Body-Deadbolt-LH	10+13
10d	S6138-US5	Lock Body-Deadbolt-LH	10+13
10e	S6138-10B	Lock Body-Deadbolt-LH	10+13
10a	S6142-26D	Lock Body-Deadbolt-RH	10+13
10b	S6142-26	Lock Body-Deadbolt-RH	10+13
10c	S6142-US3	Lock Body-Deadbolt-RH	10+13
10d	S6142-US5	Lock Body-Deadbolt-RH	10+13
10e	S6142-10B	Lock Body-Deadbolt-RH	10+13

Key	S Part #	Description	Key
11a	S6123-26D	Outside Housing Ass'y	
11b	S6123-26	Outside Housing Ass'y	
11c	S6123-US3	Outside Housing Ass'y	
11d	S6123-US5	Outside Housing Ass'y	
11e	S6123-10B	Outside Housing Ass'y	
12a	S6139-26D	Strike/Face Plate Kit DB	9+12+14
12b	S6139-26	Strike/Face Plate Kit DB	9+12+14
12c	S6139-US3	Strike/Face Plate Kit DB	9+12+14
12d	S6139-US5	Strike/Face Plate Kit DB	9+12+14
12e	S6139-10B	Strike/Face Plate Kit DB	9+12+14

Key	S Part #	Description	Key
13a	S6140-26D	Strike/Face Plate Kit CR	10+13+15
13b	S6140-26	Strike/Face Plate Kit CR	10+13+15
13c	S6140-US3	Strike/Face Plate Kit CR	10+13+15
13d	S6140-US5	Strike/Face Plate Kit CR	10+13+15
13e	S6140-10B	Strike/Face Plate Kit CR	10+13+15
14a	S6133-26D	Mortise Cyl. Clover Cam	
14b	S6133-26	Mortise Cyl. Clover Cam	
14c	S6133-US3	Mortise Cyl. Clover Cam	
14d	S6133-US5	Mortise Cyl. Clover Cam	
14e	S6133-10B	Mortise Cyl. Clover Cam	
15a	S6134-26D	Mortise Cyl. Straight Cam	
15b	S6134-26	Mortise Cyl. Straight Cam	
15c	S6134-US3	Mortise Cyl. Straight Cam	
15d	S6134-US5	Mortise Cyl. Straight Cam	
15e	S6134-10B	Mortise Cyl. Straight Cam	
16	S6132	Battery Pack Assembly	