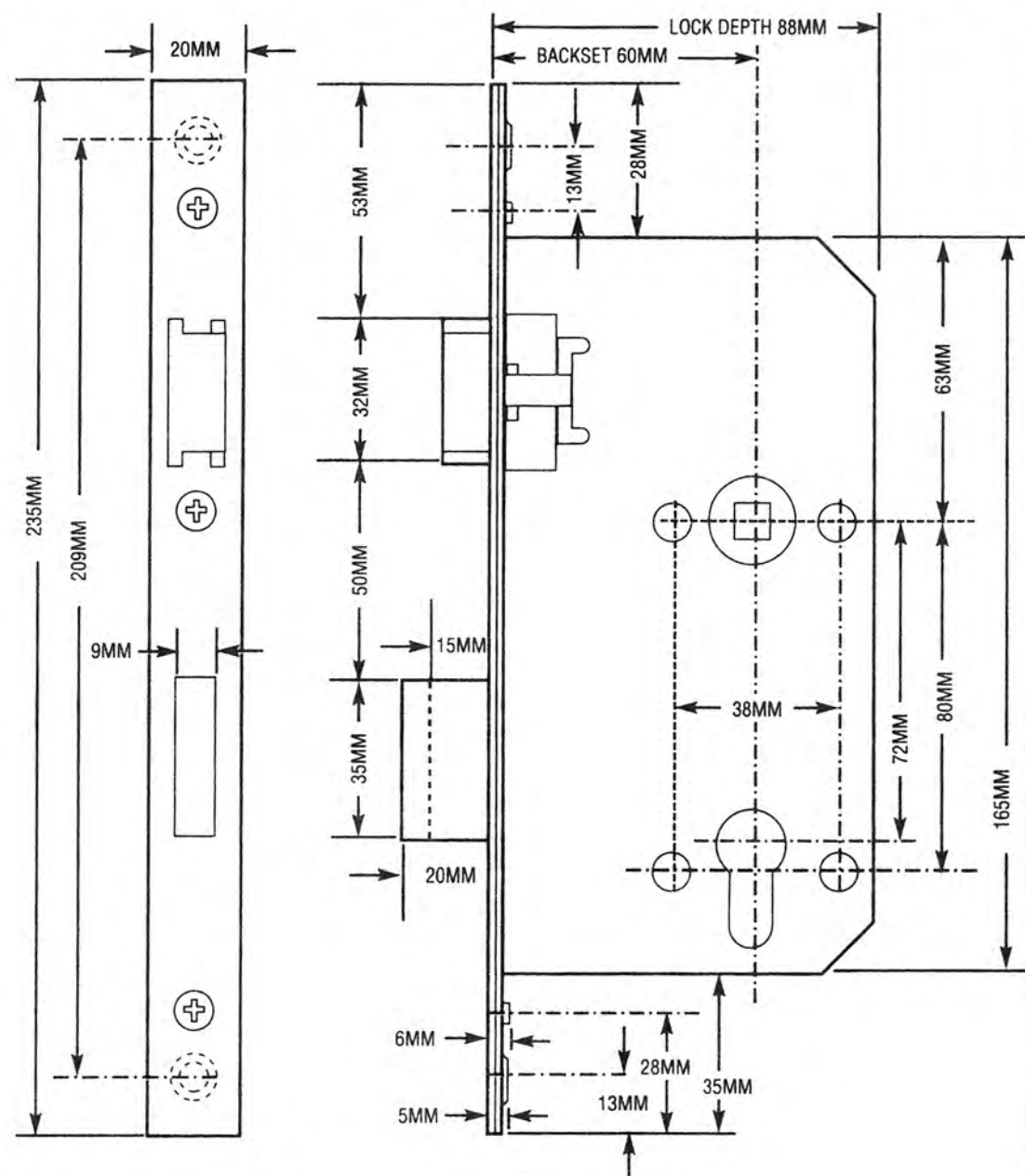
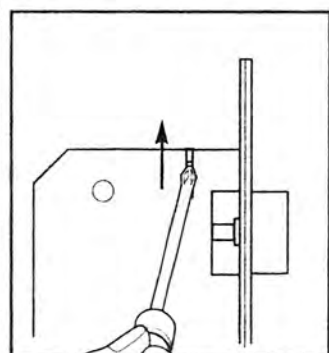


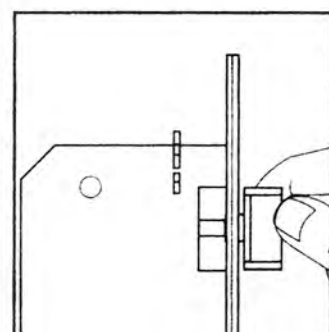
**LOCK DIMENSIONS**



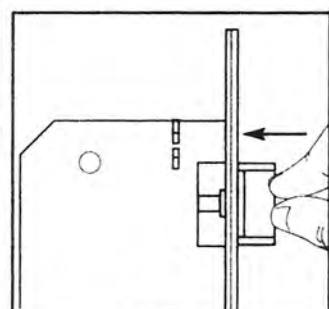
**IF REVERSE HANDING IS REQUIRED**



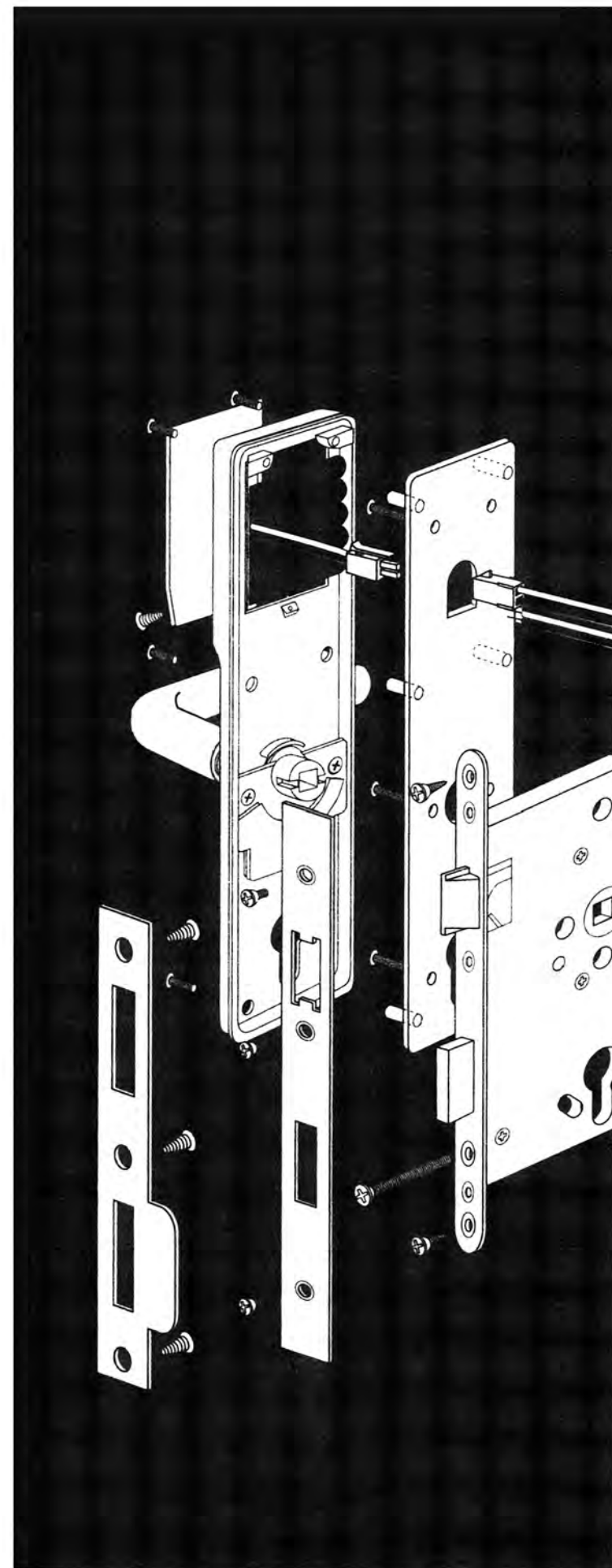
Insert screwdriver into top notch on lock and push up.



Latch pops out to turn around.



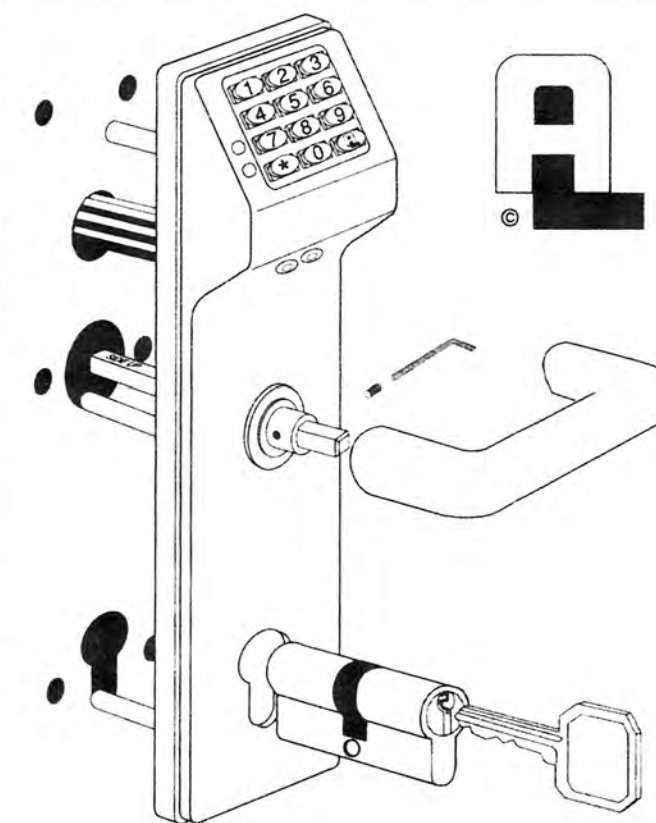
Press latch back into lock.



**T3 DL3500EX SERIES**

The Keyless, Electronic Mortise Lockset

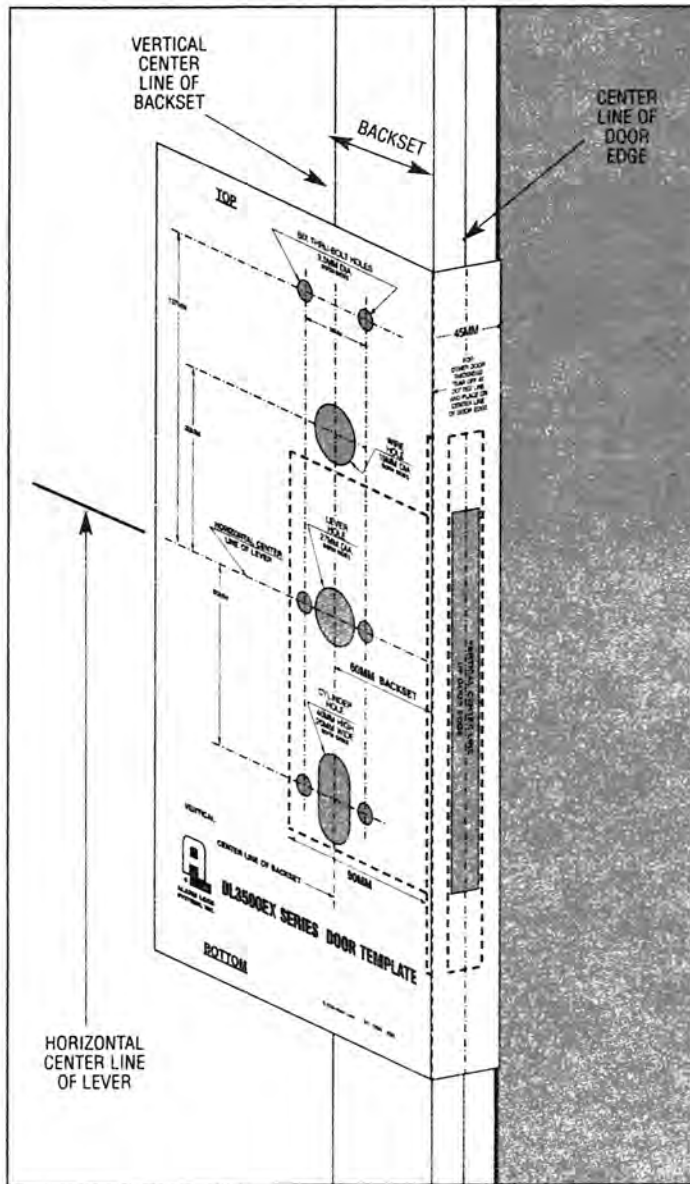
**INSTALLATION INSTRUCTIONS**



**Alarm Lock Systems, Inc.**  
 A division of the  
**NAPCO Security Group**  
 345 Bayview Avenue  
 Amityville, NY 11701  
 Tel: (631) 789-4871  
 Fax: (631) 789-3383  
 www.alarmlock.com

**Napco Group Europe, Ltd.**  
 224 Europa Blvd.  
 Gemini Business Park  
 Warrington, WA5 5TN  
 United Kingdom  
 Tel: 44-(0)-1925-242-428  
 Fax: 44-(0)-1925-242-429  
 www.napcoeuropa.com

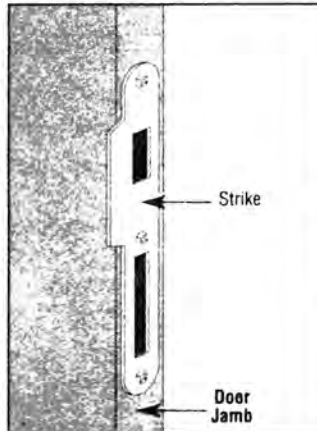
## PREPARING DOOR FOR INSTALLATION



### 1 DOOR PREPARATION:

- Mark Horizontal Center Line of Lever (at recommended height) on both sides of door. Mark Vertical Center Line of Door edge. Mark Vertical Center Line of Backset (minimum 60MM) on both sides of door.
- Tape template in position on door, line up horizontal and vertical lines.
- Mark all hole centers on each side of door as per template.
- Mortise for lock and lock front in center of door edge as per template.
- Drill all holes as per template. It is recommended that all Thru holes be drilled from each side to avoid splintering.

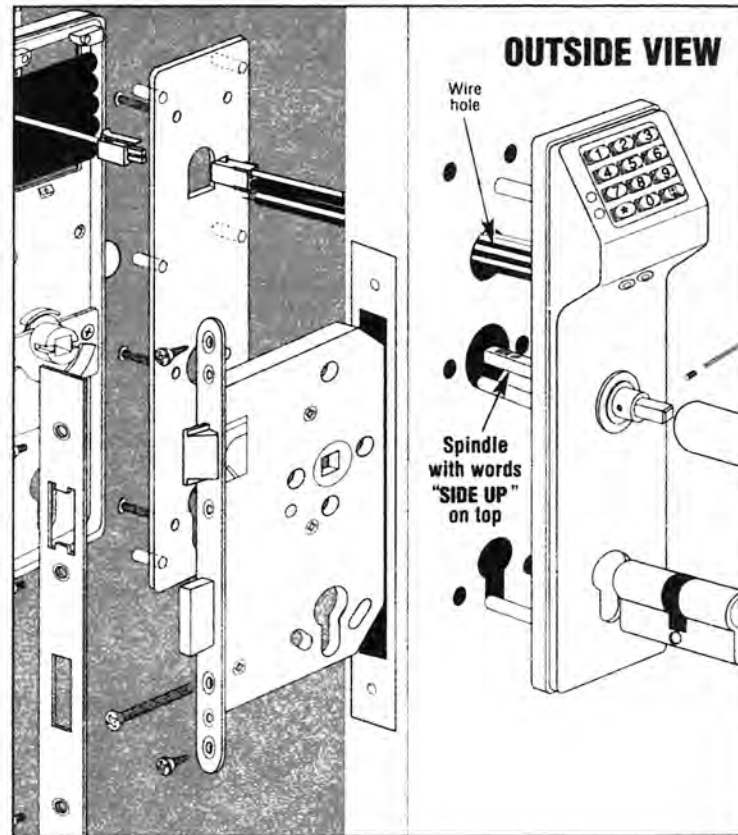
**METAL DOORS** require horizontal and vertical lock case support. "Provided by door manufacturer".



### 2 STRIKE INSTALLATION:

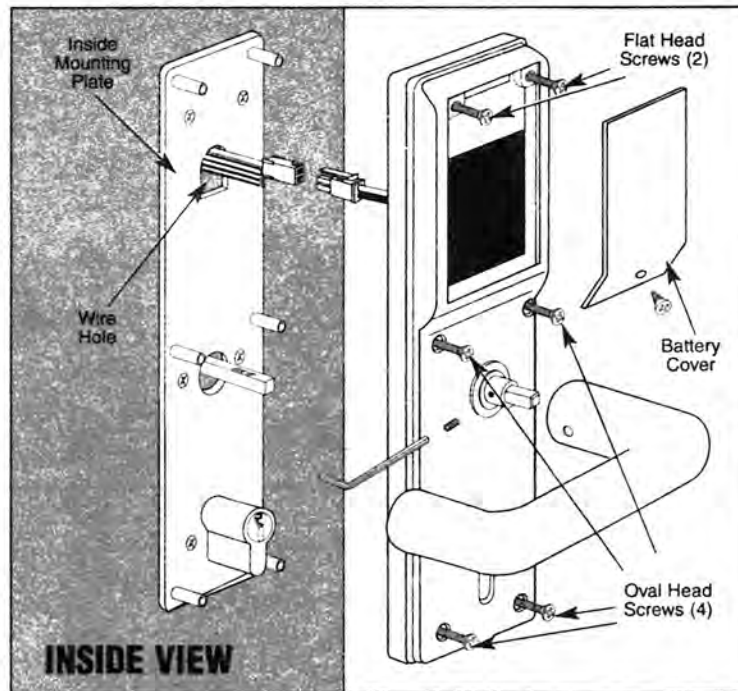
- Position strike on door jamb and trace.
- Mortise deep enough to allow latchbolt and deadbolt to fully extend.

## INSTALLATION



### 3 INSTALLING LOCK AND OUTSIDE TRIM ASSEMBLY

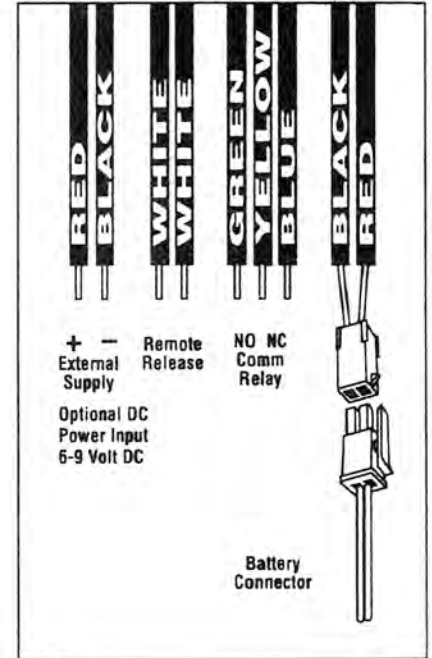
- Insert lock into cavity and fasten with 2 screws.
- Push all wires through Wire Hole in door. Position and Push Outside Housing Assembly through door and lock.
- Spindle position must be with words "SIDE UP" on top.



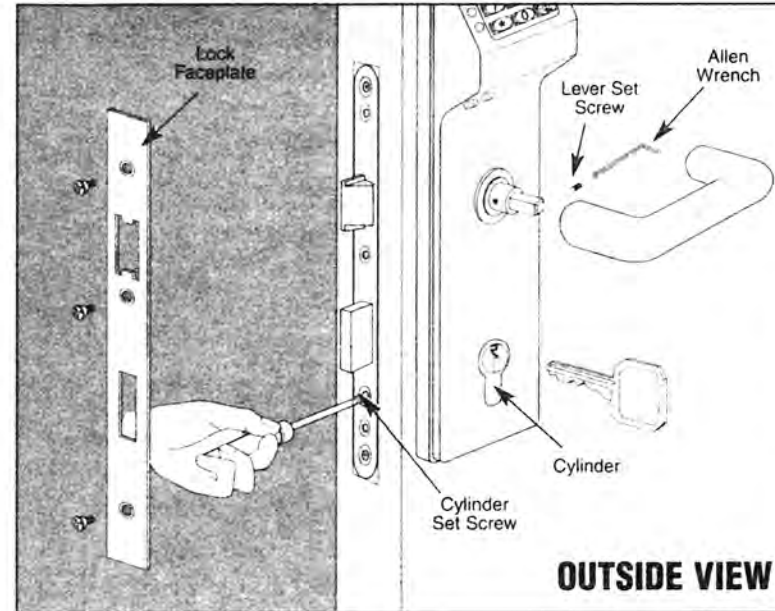
### 4 INSTALLING INSIDE ASSEMBLY

- Pull all wires through wire hole in Inside Mounting Plate.
- Position and fasten Inside Mounting Plate with 6 screws. Do not pinch or cut wires.
- Position Inside Housing Assembly on door and fasten with 6 screws.
- Align and plug together Battery Connector. Seal with Dielectric Grease included. Fold wires and slide battery case into Inside Housing assembly.
- Position and fasten Battery Cover with 1 screw.

## REFERENCE: WIRING



**BEFORE CLOSING DOOR TEST LOCK FOR PROPER OPERATION**



### 5 INSTALLING CYLINDER AND LEVERS

- Insert Cylinder through Outside Assembly and Tighten the Cylinder Set Screw.
- Position and fasten lock faceplate with 3 screws.
- Place levers on spindle and fasten with the Lever Set Screw, both sides.

## REFERENCE: EXPLODED VIEW AND PARTS LIST

Key	Part No.	Description
1a	S6051-US3	Outside Housing Ass'y US3
1b	S6051-US5	Outside Housing Ass'y US5
1c	S6051-26D	Outside Housing Ass'y 26D
1d	S6051-26	Outside Housing Ass'y 26
1e	S6051-10B	Outside Housing Ass'y 10B
2a	HW804-US3	Lever Handle, US3
2b	HW804-US5	Lever Handle, US5
2c	HW804-26D	Lever Handle, 26D
2d	HW804-26	Lever Handle, 26
2d	HW804-10B	Lever Handle, 10B
3	HW887-26D	Lever Set Screw
4	HW921	Allen Wrench, 3/32"
5a	S6060-US3	Mortise Lock Body Kit 85mm-US3
5b	S6060-US5	Mortise Lock Body Kit 85mm-US5
5c	S6060-26D	Mortise Lock Body Kit 85mm-26D
5d	S6060-26	Mortise Lock Body Kit 85mm-26
6	HW1042	Inside Mounting Plate
7	SC459	Inside Mounting Screws
8a	S6056-US3	Inside Housing Ass'y US3
8b	S6056-US5	Inside Housing Ass'y US5
8c	S6056-26D	Inside Housing Ass'y 26D
8d	S6056-26	Inside Housing Ass'y 26
8e	S6056-10B	Inside Housing Ass'y 10B
9a	S6073-US3EX	Screw Pack, US3
9b	S6073-US5EX	Screw Pack, US5
9c	S6073-26DEX	Screw Pack, 26D
9d	S6073-26EX	Screw Pack, 26
9e	S6073-10BEX	Screw Pack, 10B
10a	S6075-US3	Battery Cover with Screws, US3
10b	S6075-US5	Battery Cover with Screws, US5
10c	S6075-26D	Battery Cover with Screws, 26D
10d	S6075-26	Battery Cover with Screws, 26
10e	S6075-10B	Battery Cover with Screws, 10B
11	S6065	Battery Pack
12a	SC476-US3	Oval Head Screws, Phillips, US3
12b	SC476-US5	Oval Head Screws, Phillips, US5
12c	SC476-26D	Oval Head Screws, Phillips, 26D
12d	SC476-26	Oval Head Screws, Phillips, 26
12e	SC476-10B	Oval Head Screws, Phillips, 10B
14	SC478	Flat Head Mounting Screws, Phillips
15a	SC477-US3	Oval Head Screws, Spanner, US3
15b	SC477-US5	Oval Head Screws, Spanner, US5
15c	SC477-26D	Oval Head Screws, Spanner, 26D
15d	SC477-26	Oval Head Screws, Spanner, 26
15e	SC477-10B	Oval Head Screws, Spanner, 10B

