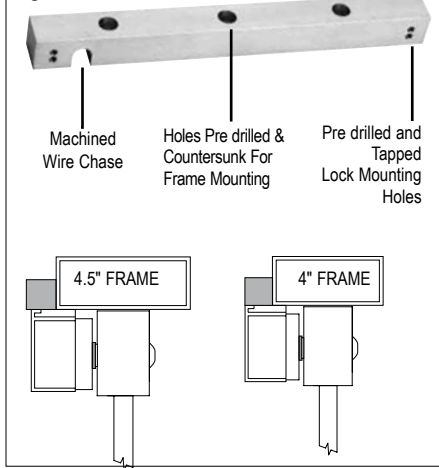


Fig. 1



Pre-Drilled & Tapped Header Bracket

Application

Used in lieu of angle brackets, the Universal Header Bracket provides a faster mounting solution, saving time and labor costs for several EmLock models. Reduce potential for mis-sized and misaligned mounting holes, broken taps, removal of broken taps. Combined with interlocking E-Z mount assembly, save up to a half days labor with the installation of 12 locks.

Features

- Solid 1" bar provides higher security and superior aesthetics.
- Machined wire chase provides concealed and secure wiring
- Multiple pre-drilled and tapped mounting holes to accommodate the use of several different locks on either 4" or 4.5" aluminum frames

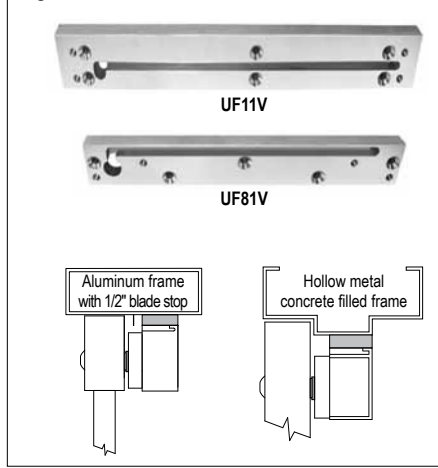
Model

- UB11** 1" x 1" x 11"
For 1511, 1513, 1571, 1573.
1511S, 1511T, 1511DE, 1571DE
- UB12** 1" x 1" x 22"
For 1512 and 1572.

Finish

- V** 628 Aluminum (*standard*)
C 605 Bright Brass **X** 313 Dark Bronze
D 606 Dull Brass **Y** 335 Black
P 625 Bright Chrome
Q 626 Dull Chrome

Fig. 2



Spacer Bracket For Concrete Filled Frames & Aluminum Frame with blade Stops

Application

- Aluminum frames with blade stop - lowers EmLock below blade stop
- Concrete filled hollow metal frames - provides multiple points for concealed wire entry

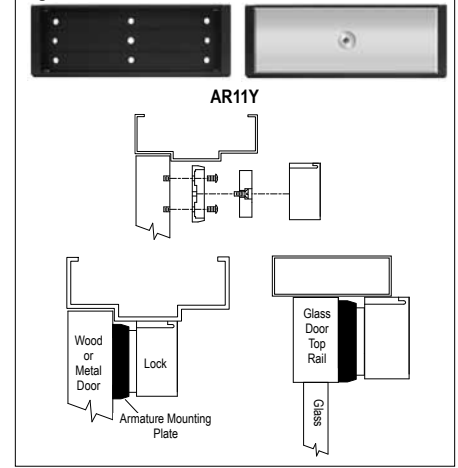
Features

- Pre-drilled and tapped specifically for 1510, 1570, 1580 EmLock
- Machined wire chase provides multiple points for concealed wire entry from concrete filled frames.
- 628 Aluminum Anodized

Model

- UF11V** 1/2" x 1-1/2" x 11"
For 1511, 1513, 1571, 1573.
1511S, 1511DE, 1571DE
- UF12V** 1/2" x 1-1/2" x 22"
For 1512 and 1572.
- UF81V** 1/2" x 1-1/4" x 8-3/4"
For 1581.
- UF82V** 1/2" x 1-1/4" x 17-1/2"
For 1582.

Fig. 3



Armature Mounting Plate

Application

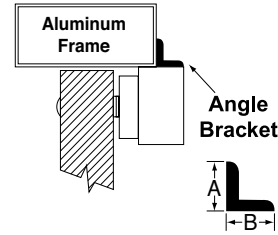
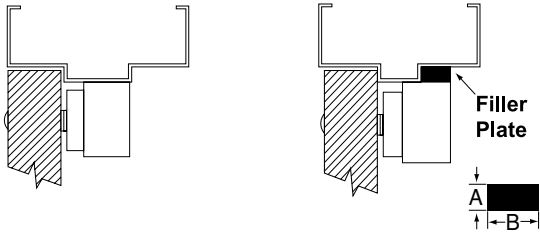
The AR Mounting plate provides a solution for mounting the EmLock® armature to the top rail of herculite, aluminum and glass, wood and hollow metal doors that do not permit the use of thru bolts.

Model

- AR11Y** Armature mounting plate for 1511, 1571.
335 Black Anodized
- AR11YD** Armature mounting plate with DPS
for 1511, 1571. 335 Black Anodized

Specify two for models 1512, 1572





Filler Plates



Angle Brackets



For Extension Of The Stop To Provide A Proper Mounting Surface On The Underside Of The Header See Figure 1b.

For 8-3/4" Single Emlock & Exit Check Models

1581, 1581DE

PART #	A x B
FP01	1/8" x 1-1/4" (3 x 32mm)
FP02	1/4" x 1-1/4" (6 x 32mm)
FP03	3/8" x 1-1/4" (10 x 32mm)
FP04	1/2" x 1-1/4" (13 x 32mm)
FP05	5/8" x 1-1/4" (16 x 32mm)

For 10"-11" Single Emlock & Exit Check Models

1511, 1513, 1571,
1581S, 1511S, 1511T, 1511DE, 1571DE

PART #	A x B
FP11	1/8" x 1-1/4" (3 x 32mm)
FP12	1/4" x 1-1/4" (6 x 32mm)
FP13	3/8" x 1-1/4" (10 x 32mm)
FP14	1/2" x 1-1/4" (13 x 32mm)
FP15	5/8" x 1-1/4" (16 x 32mm)

For 17-1/2" (445mm) Double Emlock Model 1582

PART #	A x B
FP30	1/8" x 1-1/4" (3 x 32mm)
FP31	1/4" x 1-1/4" (6 x 32mm)
FP32	3/8" x 1-1/4" (10 x 32mm)
FP33	1/2" x 1-1/4" (13 x 32mm)
FP34	5/8" x 1-1/4" (16 x 32mm)

For 22" (559mm) Double Emlock Models 1512 / 1572

PART #	A x B
FP21	1/8" x 1-1/4" (3 x 32mm)
FP22	1/4" x 1-1/4" (6 x 32mm)
FP23	3/8" x 1-1/4" (10 x 32mm)
FP24	1/2" x 1-1/4" (13 x 32mm)
FP25	5/8" x 1-1/4" (16 x 32mm)

Finish

- V** 628 Aluminum (*std*) **Q** 626 Dull Chrome
- C** 605 Bright Brass **X** 313 Dark Bronze
- D** 606 Dull Brass **Y** 335 Black
- P** 625 Bright Chrome

Used As Extension On Shallow Door Frames To Provide Adequate Mounting Surface. See Figure 1c.

For 8-3/4" Single Emlock & Exit Check Models

1581, 1581DE

PART #	A x B
AB01	1" x 1" (25 x 25mm)
AB02	1" x 1-1/2" (25 x 38mm)
AB03	1-1/2" x 1-1/2" (38 x 38mm)
AB04	2" x 1-1/2" (51 x 38mm)

For 10"-11" Single Emlock & Exit Check Models

1511, 1513, 1571,
1581S, 1511S, 1511T, 1511DE, 1571DE

PART #	A x B
AB11	1" x 1" (25 x 25mm)
AB12	1" x 1-1/2" (25 x 38mm)
AB13	1-1/2" x 1-1/2" (38 x 38mm)
AB14	2" x 1-1/2" (51 x 38mm)

For 17-1/2" (445mm) Double Emlock Model 1582

PART #	A x B
AB30	1" x 1" (25 x 25mm)
AB31	1" x 1-1/2" (25 x 38mm)
AB32	1-1/2" x 1-1/2" (38 x 38mm)
AB33	2" x 1-1/2" (51 x 38mm)

For 22" (559mm) Double Emlock Models 1512 / 1572

PART #	A x B
AB21	1" x 1" (25 x 25mm)
AB22	1" x 1-1/2" (25 x 38mm)
AB23	1-1/2" x 1-1/2" (38 x 38mm)
AB24	2" x 1-1/2" (51 x 38mm)

