

Type	Dimension "B"
Hold Open	1-1/2 (38)
Non Hold Open	1 (25.4)

Opening	Dimension "A"
To 100°	7-1/2 (191)
101° to 130°	6 (152)
131° to *180°	4-1/2 (114)
* Door/Wall/Hardware/Jamb conditions permitting	

- Notes:
- Do not scale drawing.
  - Right hand door shown.
  - Dimensions are in inches (mm).

Door swing may be limited by door, frame, wall or hardware conditions.  
 Hollow-metal doors require channel or box-type reinforcement when thru-bolt mount is specified.

Minimum thickness recommended for reinforcements in hollow-metal doors and frames: .1046" (2.66mm) unless otherwise noted.

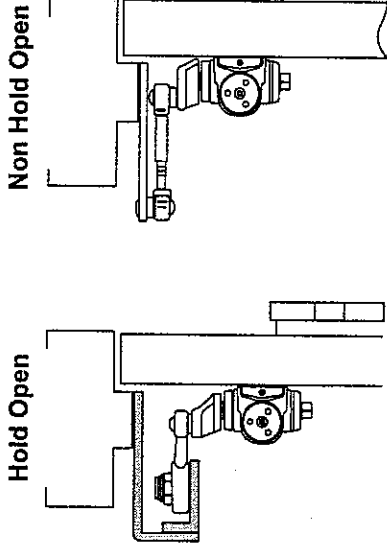
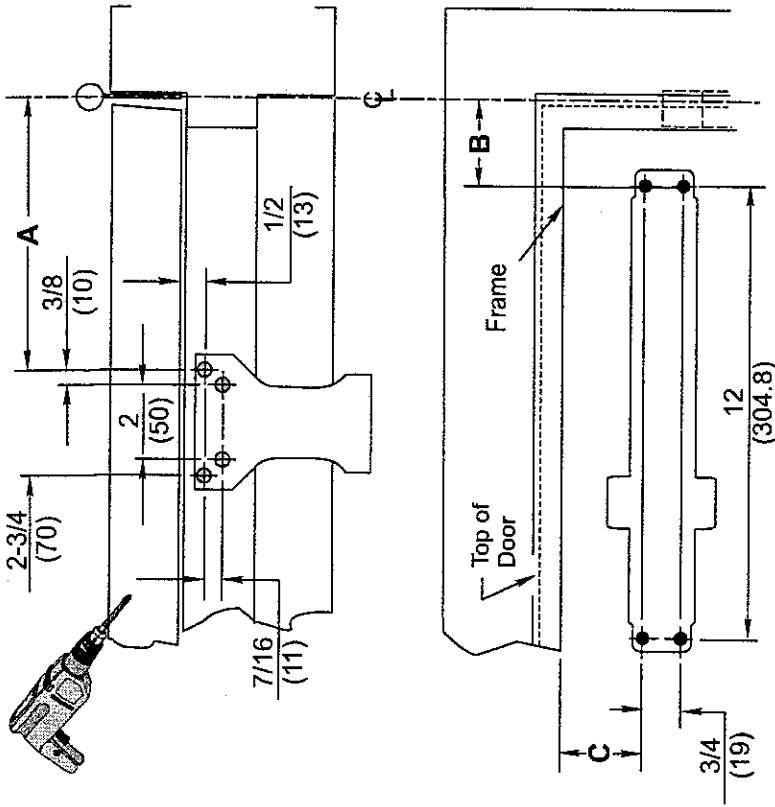
Fasteners Chart		
Fasteners	Door or Frame	Drill-Sizes
Standard	1/4" - 20 Self drilling & tapping screw	3/16" (4.76 mm.) Pilot hole required
	1/4" - 20 Machine screw	NO drilling or tapping necessary drill: #7 (0.201" dia.) tap: 1/4" - 20
Optional	Through-bolts and grommet-nuts	9/32" (7.00 mm.) through; 3/8" (9.50 mm.) dia. x 3/8" (9.50 mm.) deep on door opposite to closer.

**5016N(S)(D) Series Non Hold Open Door Closers**  
**5016N(S)H(D) Series Hold Open Door Closers**  
**Regular Arm Application with 5016DP Drop Plate for Concealed Stop Clearance**  
**Closer Sizes 1-6**

**ARROW™**  
 325 Duffy Ave.  
 Hicksville, NY 11801  
 Phone (516) 704-2700  
 FAX (516) 704-2790

[www.arrowlock.com](http://www.arrowlock.com)

TEMPLATE NUMBER **5000N-0104** DATE **10-04**



Door Opening	A	B
To 120°	9-1/2 (241)	3-3/4 (95)
*121° to 180°	7 (178)	1-1/4 (32)
* Door/Wall/Hardware/Jamb conditions permitting		

Type	Dimension "C"
Hold Open	3-5/8 (92)
Non Hold Open	3-1/2 (89)

**Notes:**

- Do not scale drawing.
- Right hand door shown.
- Dimensions are in inches (mm).

Door swing may be limited by door, frame, wall or hardware conditions. Hollow-metal doors require channel or box-type reinforcement when thru-bolt mount is specified.

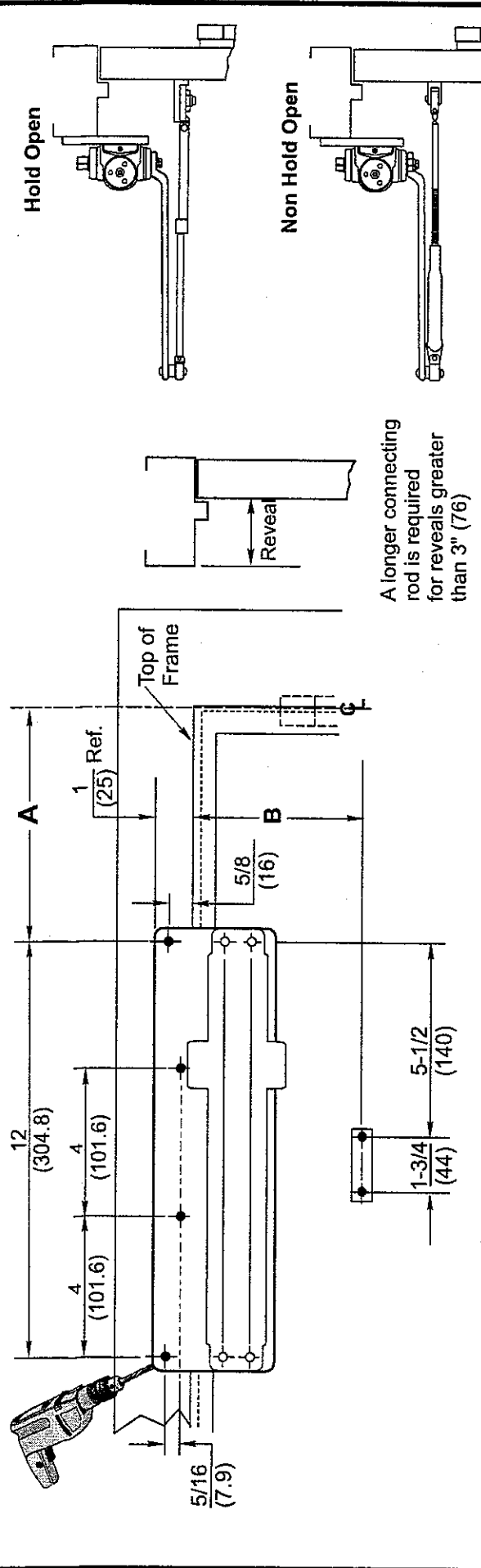
Minimum thickness recommended for reinforcements in hollow-metal doors and frames: .1046" (2.66mm) unless otherwise noted.

Fasteners Chart		
Fasteners	Door or Frame	Drill-Sizes
1/4" - 20 Self drilling & tapping screw	Wood	3/16" (4.76 mm.) Pilot hole required
1/4" - 20 Machine screw	Metal	No drilling or tapping necessary drill: #7 (0.201" dia.) tap: 1/4" - 20
Through-bolts and grommet-nuts	All	9/32" (7.00 mm.) through; 3/8" (9.50 mm.) dia. x 3/8" (9.50 mm.) deep on door opposite to closer.

**5016N(S)(D) Series Non Hold Open Door Closers**  
**5016N(S)(H)(D) Series Hold Open Door Closers**  
**Parallel Arm Application**  
**Closer Sizes 1-6**

**ARROW™**  
 325 Duffy Ave.  
 Hicksville, NY 11801  
 Phone (516) 704-2700  
 FAX (516) 704-2790

www.arrowlock.com  
 TEMPLATE NUMBER **5000N-0003** DATE **10-04**



A longer connecting rod is required for reveals greater than 3" (76)

Opening	Dimension "A"
To 100°	7-1/2 (191)
101° to 130°	6 (152)
131° to *180°	4-1/2 (114)
* Door/Wall/Hardware/Jamb conditions permitting	

Type	Dimension "B"
Hold Open	4-1/4 (108)
Non Hold Open	3-3/4 (95)

- Notes:
- Do not scale drawing.
  - Right hand door shown.
  - Dimensions are in inches (mm).

Door swing may be limited by door, frame, wall or hardware conditions. Hollow-metal doors require channel or box-type reinforcement when thru-bolt mount is specified.

Minimum thickness recommended for reinforcements in hollow-metal doors and frames: .1046" (2.66mm) unless otherwise noted.

Fasteners Chart		
Fasteners	Door or Frame	Drill-Sizes
Standard	1/4" - 20 Self drilling & tapping screw	3/16" (4.76 mm.) Pilot hole required
	1/4" - 20 Machine screw	No drilling or tapping necessary drill: #7 (0.201" dia.) tap: 1/4" - 20
Optional	Through-bolts and grommet-nuts	9/32" (7.00 mm.) through; 3/8" (9.50 mm.) dia. x 3/8" (9.50 mm.) deep on door opposite to closer.

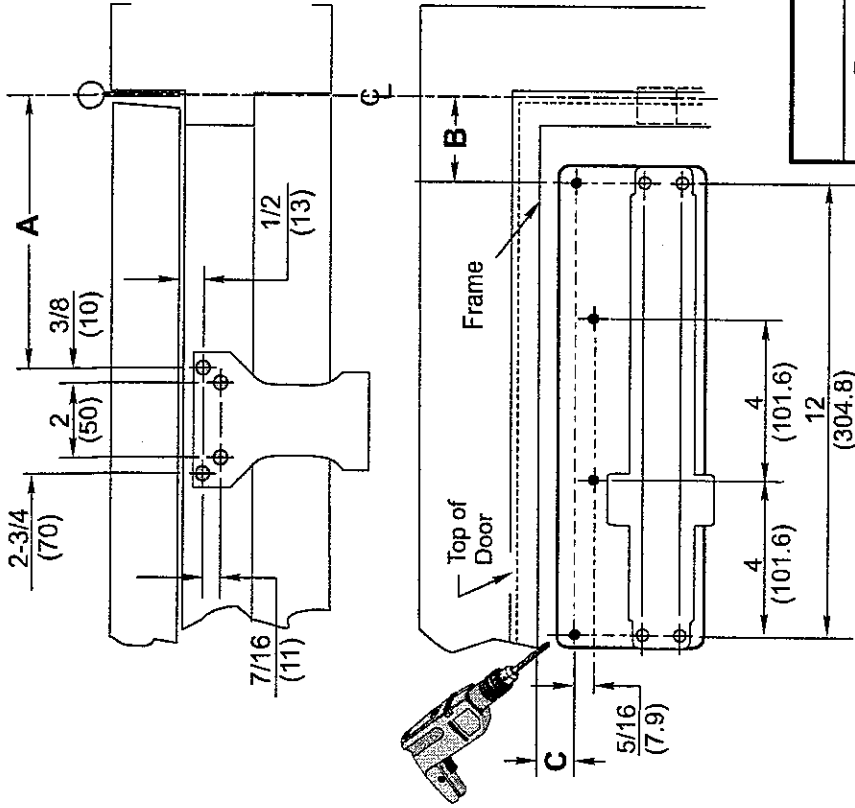
**5016N(S)(D) Series Non Hold Open Door Closers**  
**5016N(S)H(D) Series Hold Open Door Closers**  
**Top Jamb Arm Application with 5016DP Drop Plate**  
**Closer Sizes 1-6**

**ARROW™**  
 325 Duffy Ave.  
 Hicksville, NY 11801  
 Phone (516) 704-2700  
 FAX (516) 704-2790

[www.arrowlock.com](http://www.arrowlock.com)

TEMPLATE NUMBER **5000N-0102** DATE **10-04**

Door Opening	A	B
To 120°	9-1/2 (241)	3-3/4 (95)
*121° to 180°	7 (178)	1-1/4 (32)
* Door/Wall/Hardware/Jamb conditions permitting		



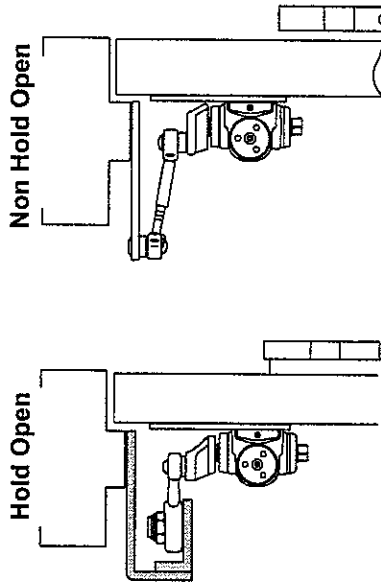
Type	Dimension "C"
Hold Open	1-1/8 (28.6)
Non Hold Open	1 (25.4)

**Notes:**

- Do not scale drawing.
- Right hand door shown.
- Dimensions are in inches (mm).

Door swing may be limited by door, frame, wall or hardware conditions. Hollow-metal doors require channel or box-type reinforcement when thru-bolt mount is specified.

Minimum thickness recommended for reinforcements in hollow-metal doors and frames: .1046" (2.66mm) unless otherwise noted.



**Fasteners Chart**

Fasteners	Door or Frame	Drill-Sizes
1/4" - 20 Self drilling & tapping screw	Wood	3/16" (4.76 mm.) Pilot hole required
1/4" - 20 Machine screw	Metal	No drilling or tapping necessary drill: #7 (0.201" dia.) tap: 1/4" - 20
Through-bolts and grommet-nuts	All	9/32" (7.00 mm.) through; 3/8" (9.50 mm.) dia. x 3/8" (9.50 mm.) deep on door opposite to closer.

**5016N(S)(D) Series Non Hold Open Door Closers**  
**5016N(S)(H)(D) Series Hold Open Door Closers**  
**Parallel Arm Application with 50xxDP Drop Plate**  
**Closer Sizes 1-6**

**ARROW™**  
 325 Duffy Ave.  
 Hicksville, NY 11801  
 Phone (516) 704-2700  
 FAX (516) 704-2790

[www.arrowlock.com](http://www.arrowlock.com)

TEMPLATE NUMBER **5000N-0103** DATE **10-04**