

Cylinders & IC Products – Arrow SFIC Cam Locks

Classic Product

The Arrow SFIC keyway Cam Locks offer a retrofit option for keying into existing SFIC system with a 3/4" cylinder. The Arrow Cam Locks are available in all of the Arrow (with the exception of Flex) and the most popular competitor keyways, providing a wide selection for almost any retrofit application.

The Arrow cam locks are ideal for us on cabinets, desks, elevators, alarm panels or other applications to secure valuable data or information.

Our precision engineering and design, keying capabilities and availability make the Arrow Cam Locks an ideal solution for commercial, industrial and institutional applications.

Features:

- Fits any standard 3/4" Double D Hole (Double D Washer included for round hole mounting.)
- Typical uses include drawers, cabinets, secure enclosures, retail fixtures, vending equipment, medical carts and storage, utility boxes
- Cam motion operation — 90 degree, Clockwise or Counterclockwise, Locked Position at 3, 6, 9, or 12 o'clock
- Key motion operation — 90 degree captive (KR), 360 degree non-captive (NKR)

Finishes:

US26D (626)

Standard Kit Includes:

- Sub-assembled cam lock (Plug, Shell, Retainer)
- 90° Stop
- Straight cam
- Offset cam
- 360° Drive Plate (NKR)
- 90° Drive Plate (KR)
- Drive pin
- 2 Plate screws
- Hex nut
- Double D Mounting Washer
- 1/4" spacer

Available Spacers:

1/16", 1/8", 3/16", 1/4" (included in kit), 5/16", 3/8", 7/16"

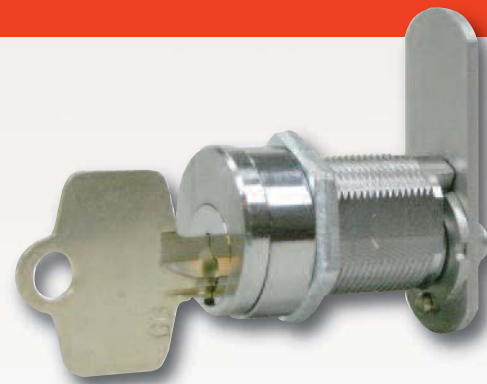
How To Order:

Sub-Assembled Kit – CLK-10-(Specify Keyway).26D.

Assembled Units – CLK-11-(Specify Keyway).26D*.

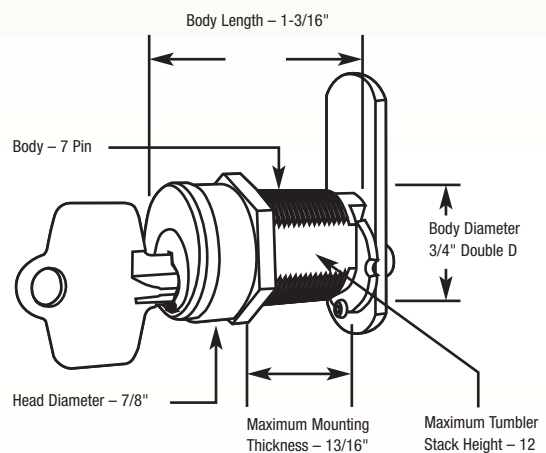
Example: CLK-10-1D.26D.

*Standard keying is KD. KA keying also available. Factory master-keyed orders are subject to standard keying charges.



ARROW SFIC KEYWAY CAM LOCK

Model CLK-11 is shown.



Arrow & Competitor Keyways:

1C & 1D Standard keyways or unpublished restricted keyways available — consult factory for availability.

