

DIMENSIONS "A"		OPENING
inches	mm	
7	178	TO 100°
6	152	101° TO 120°
3-1/2	89	*121° TO 180°

- Right hand door illustrated. Same dimensions apply to left hand door.
- Measured from hinge centerline. Dimensions are in inches (mm).
- Do not scale drawing.

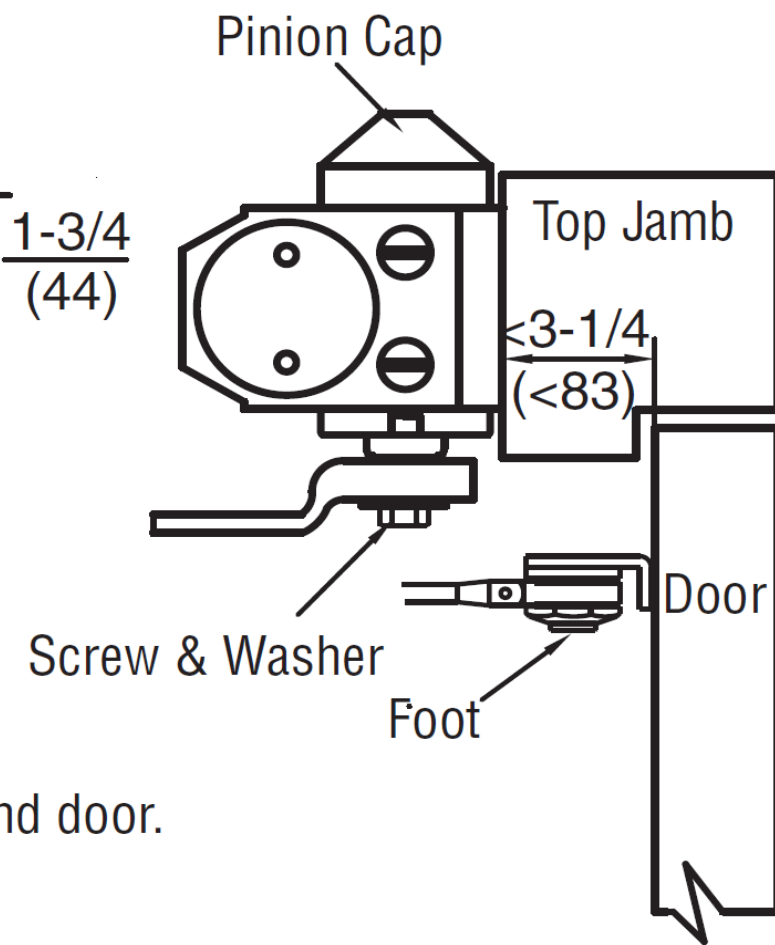
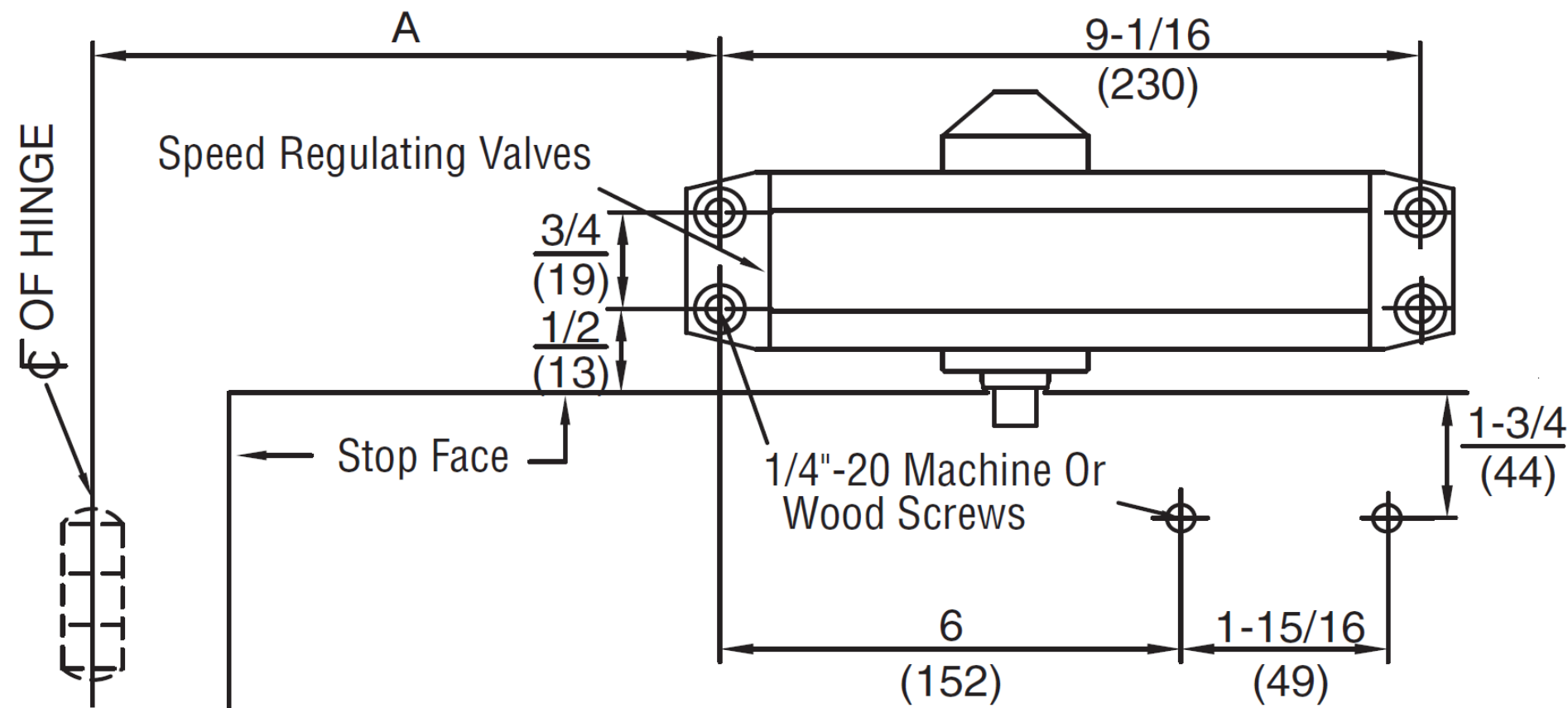
*Door/Wall/Hardware/Jamb conditions permitting



ARROW Lock and Door Hardware
 3626 Allegheney Dr.
 Salem, VA 24153
 1-800-839-3157

DC314-1 AND DC325-1 STANDARD (PULL SIDE) TEMPLATE

REV. & DATE	TEMPLATE NO.
A 04-14	DC300-1DM-203.FIN



DIMENSIONS "A"		OPENING
inches	mm	
7-1/2	191	TO 100°
6	152	101° TO 120°
3-1/2	89	*121° TO 180°

- Left hand door illustrated. Same dimensions apply to right hand door.
- Measured from hinge centerline. Dimensions are in inches (mm).
- Do not scale drawing.

*Door/Wall/Hardware/Jamb conditions permitting



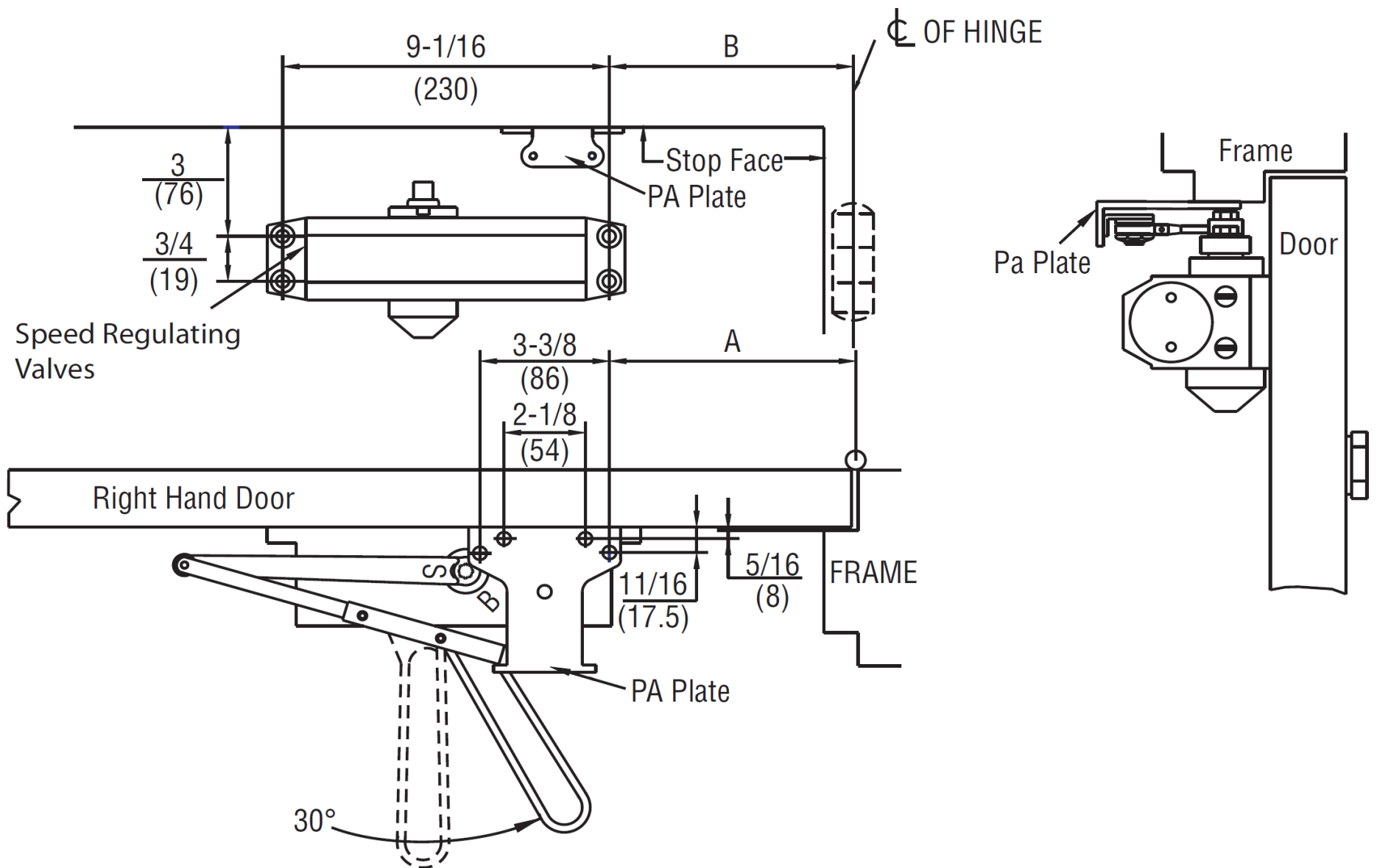
ASSA ABLOY

ARROW Lock and Door Hardware
3626 Allegheney Dr.
Salem, VA 24153
1-800-839-3157

DC314-1 AND DC325-1 PUSH SIDE TOP JAMB TEMPLATE

SHEET 2 OF 3

REV. & DATE	TEMPLATE NO.
A 04-14	DC300-1DM-203.FIN



DIMENSIONS "A"		DIMENSIONS "B"		OPENING
inches	mm	inches	mm	
9	227	7-5/8	194	TO 120°
7-1/2	190	6-1/8	156	*121° TO 180°

*Door/Wall/Hardware/Jamb conditions permitting

- Right hand door illustrated. Same dimensions apply to left hand door.
- Measured from hinge centerline. Dimensions are in inches (mm).
- Do not scale drawing.

DC314-1 AND DC325-1 STANDARD (PULL SIDE) TEMPLATE



ARROW Lock and Door Hardware
 3626 Allegheney Dr.
 Salem, VA 24153
 1-800-839-3157

REV. & DATE	TEMPLATE NO.
A 04-14	DC300-1DM-203.FIN