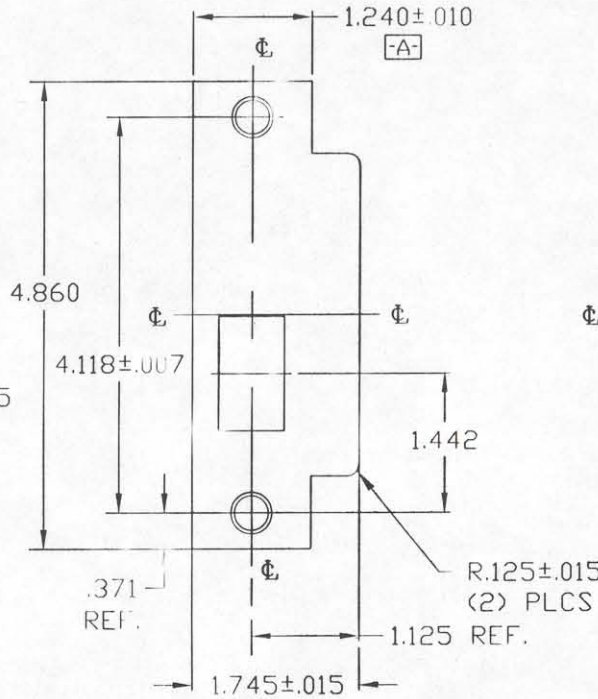
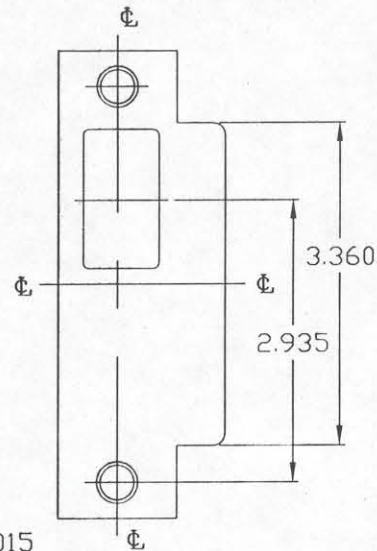


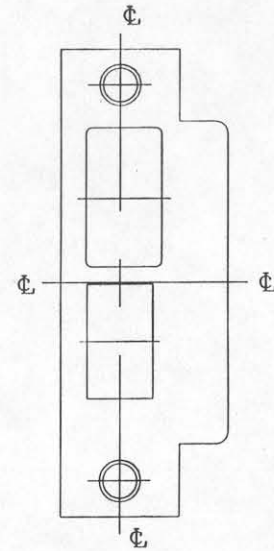
#12-24 FLAT HEAD
COMB. SCREW
460 STRIKE



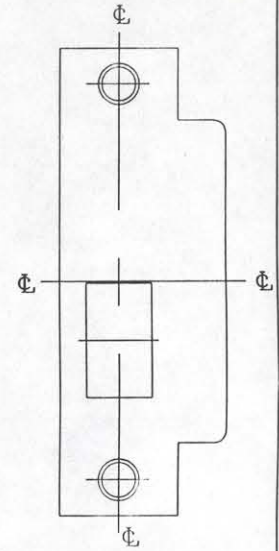
463 STRIKE



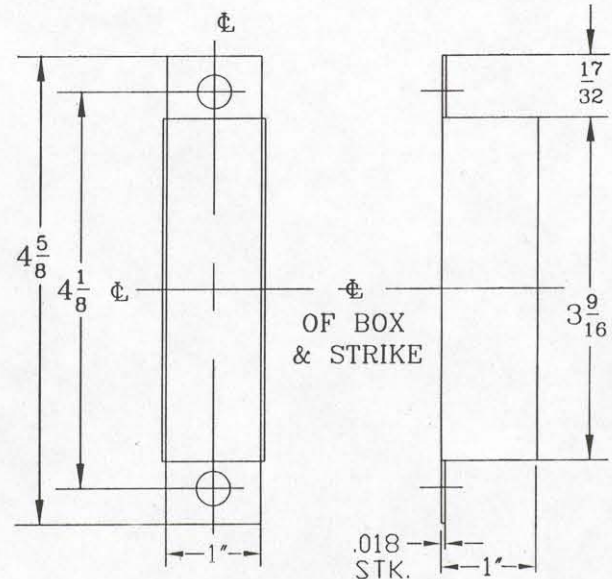
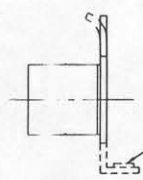
456 STRIKE



468(RH) OR 466(LH) STRIKE
464(RH) OR 462(LH) STRIKE



DOOR FRAME MANUFACTURER'S SHOULD
PROVIDE THE REQUIRED CLEARANCE TO
ALLOW BOLT TO ENTER STRIKE WHEN
GASKETING OR SILENCERS ARE USED.



DETAIL OF BX70 STRIKE BOX

REV	DATE	TEMPLATE NO.
1028.02		AM-002

ARROW TEMPLATE
PRODUCT AM & BM SERIES LOCK

DO NOT SCALE