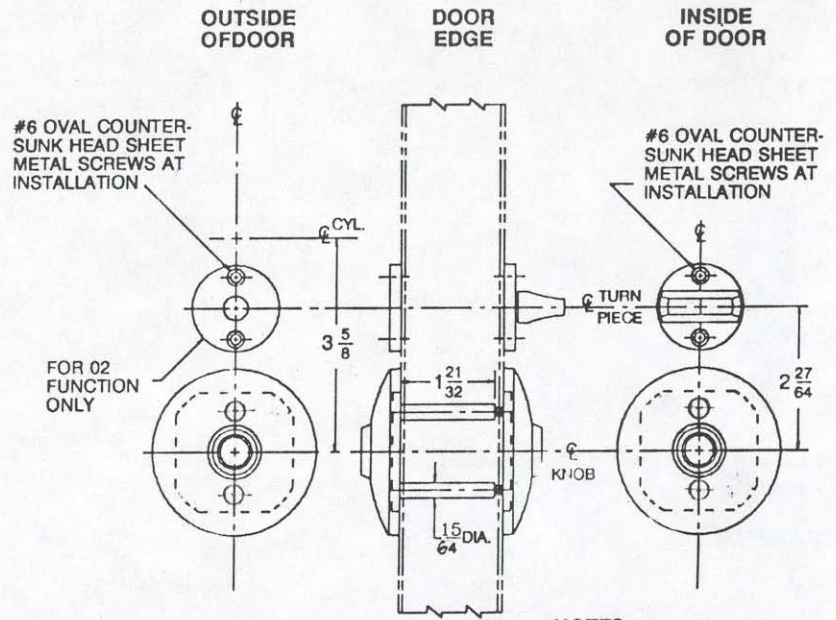


**NOTES:**  
USE THIS TEMPLATE WITH  
XL, JL, VL, WL, BRL, HSL, NL  
LEVER TRIM.



**NOTES:**  
USE THIS TEMPLATE WITH  
HTHA, HBHA, HTHB, HBHB,  
HTHD, HBHD, TA, DA, BA, TD,  
BD, DD KNOB TRIM.

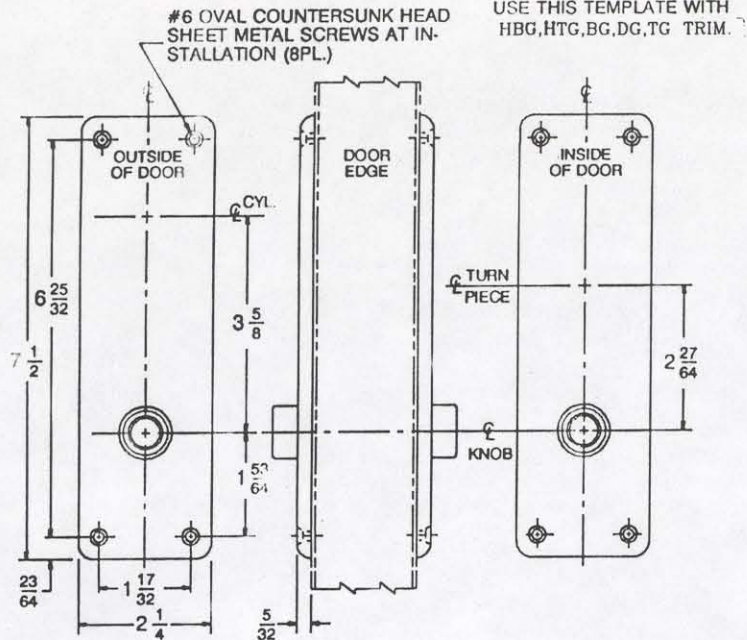
DO NOT SCALE

**ARROW** TEMPLATE

PRODUCT AM & BM SERIES LOCK

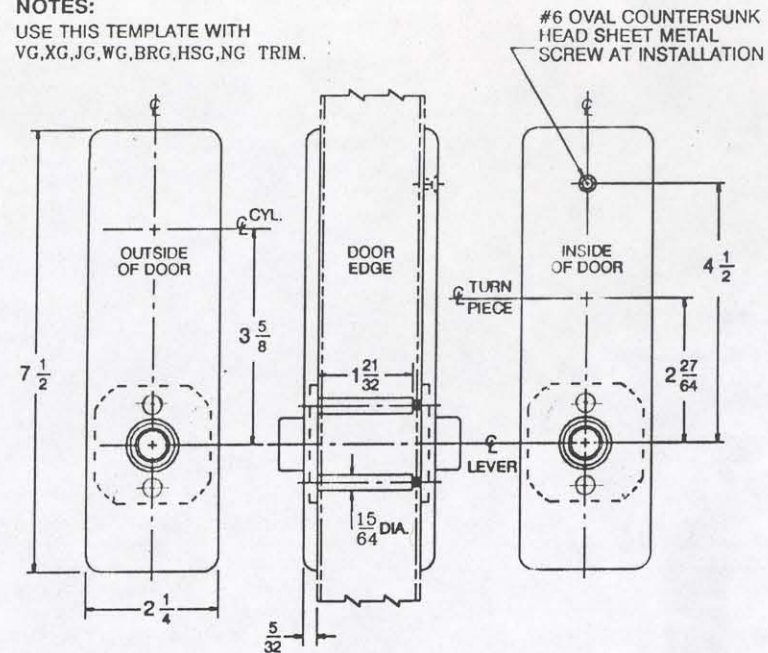
REV DATE TEMPLATE NO.  
10.30.02 AM-003

1

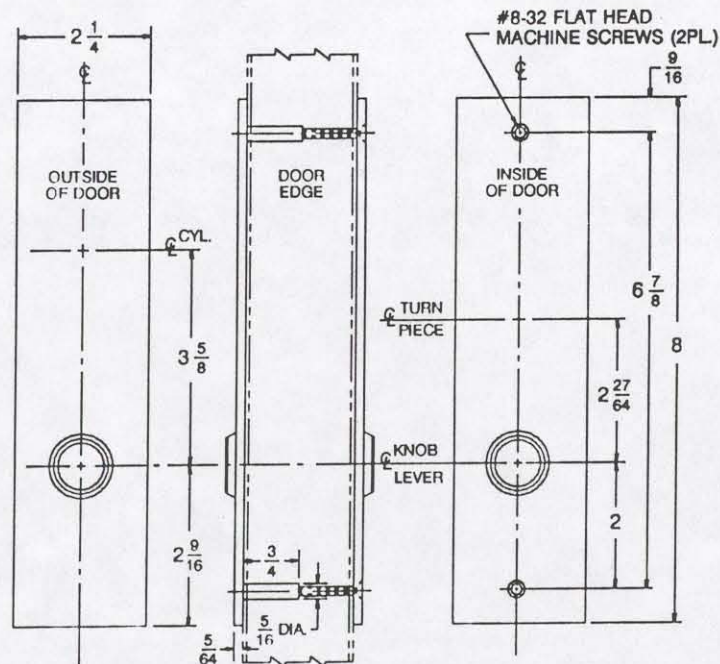


2

**NOTES:**  
USE THIS TEMPLATE WITH  
VG,XG,JG,WC,BRG,HSG,NG TRIM.



3



**NOTES:**  
USE THIS TEMPLATE WITH  
XH,JH,VH,WH,BRH,HSH,NH LEVER  
AND BH,TH,DH,HBH,HTH KNOB TRIM.

DO NOT SCALE

PRODUCT AM &amp; BM SERIES LOCK

REV DATE TEMPLATE NO.

10.30.02

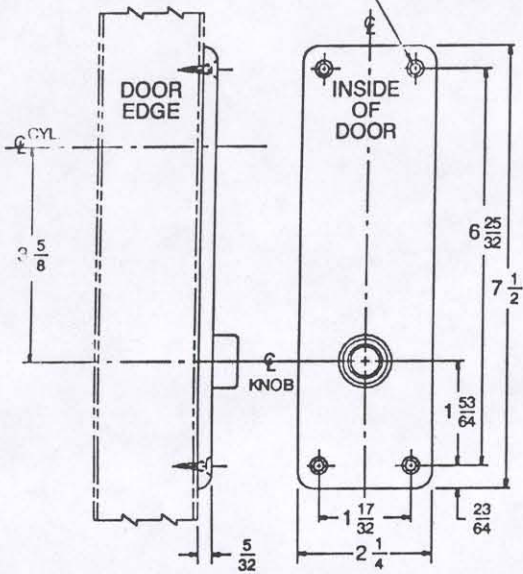
AM-004

1

## NOTES:

USE THIS TEMPLATE WITH  
HBØ,HTG,BG,DG,TG TRIM.

#6 OVAL COUNTER-  
SUNK HEAD SHEET  
METAL SCREWS AT  
INSTALLATION (4PL.)

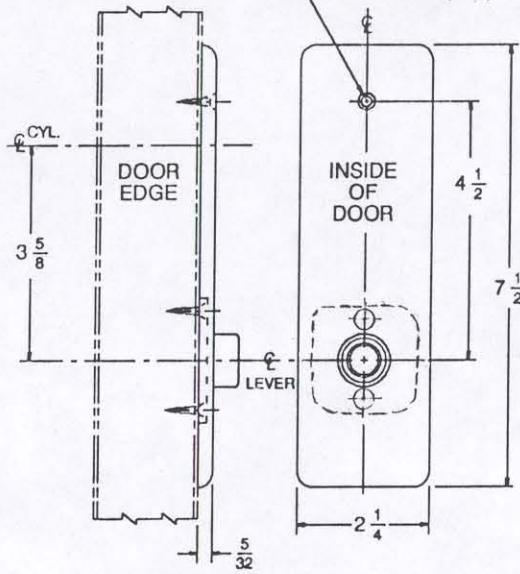


2

## NOTES:

USE THIS TEMPLATE WITH  
VG,XG,JG,WG,BRG,HSG,NG  
TRIM.

#6 OVAL COUNTER-  
SUNK HEAD SHEET  
METAL SCREWS AT  
INSTALLATION (3PL.)

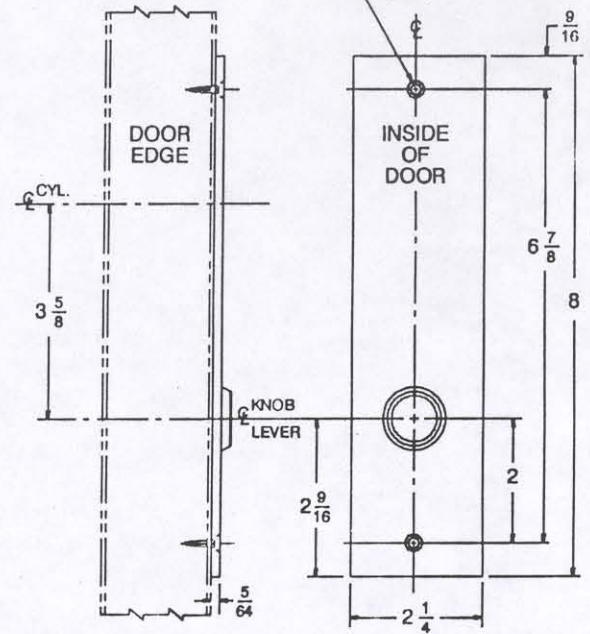


3

## NOTES:

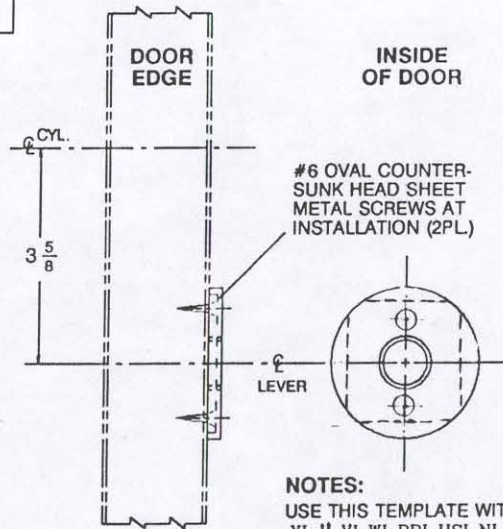
USE THIS TEMPLATE WITH  
XH,JH,VH,WH,BRH,HSH,NH LEVER  
AND BH,TH,DH,HBH,HTH KNOB TRIM.

#6 OVAL COUNTERSUNK  
HEAD SHEET METAL  
SCREWS AT INSTALLATION  
(2PL.)



4

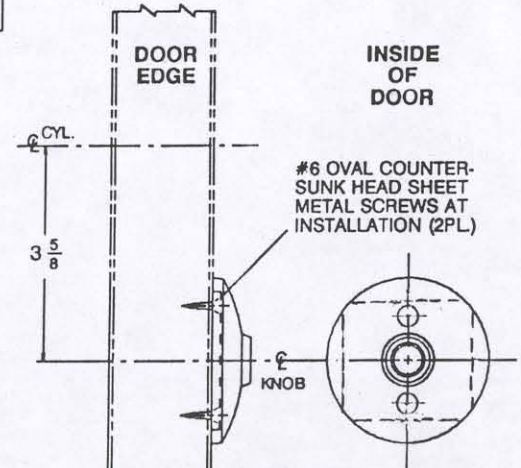
USE THESE TEMPLATES FOR 07  
FUNCTION OF LOCK



## NOTES:

USE THIS TEMPLATE WITH  
XL,JL,VL,WL,BRL,HSL,NL  
LEVER TRIM.

5



## NOTES:

USE THIS TEMPLATE WITH  
HTHA,HBHA,HTHB,HBHB,HTHD,  
HBHD,TA,DA,BA,TD,BD,DD KNOB TRIM.

DO NOT SCALE

REV DATE TEMPLATE NO.

10.30.02 AM-005

**ARROW** TEMPLATE

PRODUCT AM & BM SERIES LOCK