



# Door Closers

DC300, DC500, 900N, 5016N Series Door Closers  
7700, 7800 & 7900 Powered Door Operators

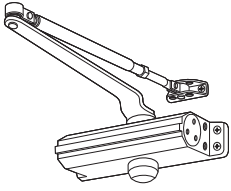
ASSA ABLOY, the global leader  
in door opening solutions

**ARROW**  
LOCK & DOOR HARDWARE  
**ASSA ABLOY**

# Arrow Door Closers

## Limited Warranty

### DC300

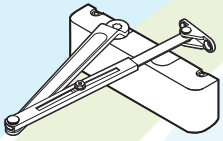


ARROW LOCK® warrants that its products sold under the “ARROW LOCK” trade name in the United States of America are free from defects in workmanship and materials under normal use and service.

This warranty does not cover defects or damage arising from improper installation, lack of or improper maintenance, improper storage, shipping and handling, corrosion, erosion, ordinary wear and tear, misuse, abuse, accident, unauthorized service, or use with unauthorized non-ARROW LOCK products or parts.

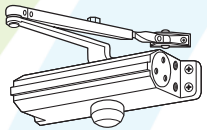
This warranty is void if any modification is made to the warranty product, regardless of whether the modification causes or contributes to the alleged defect. All modifications are made at the risk of the party making the modification.

### DC500



The only liability of ARROW LOCK®, in tort or contract whether under this warranty or otherwise, shall be limited to the repair or replacement of any product or component part which shall prove defective as covered by this warranty, within the stated time period listed below, after delivery to the original purchaser.

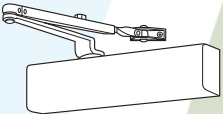
### 900N



- Door Closers – 10 years
- 7800 & 7900 – 2 Years
- 7700 – 1 Year

ARROW LOCK® will not pay for the cost of repair performed other than in accordance with this warranty.

### 5016N



Refer to our Returned Goods Policy regarding the return of a product or component part believed to be defective as covered by this warranty. A brief description of the defect will be required. Product will be examined upon return. In the event such examination reveals a defect covered by this warranty, the product will be repaired or replaced.

THIS WARRANTY IS IN LIEU OF ALL OTHER EXPRESS WARRANTIES. TO THE EXTENT PERMITTED BY LAW, ALL IMPLIED WARRANTIES ARE LIMITED TO THE DURATION OF THIS WARRANTY. ARROW LOCK® MANUFACTURING COMPANY SHALL NOT BE LIABLE FOR ANY INCIDENTAL OR CONSEQUENTIAL DAMAGES. NO AGENT, SALES REPRESENTATIVE OR DEALER HAS THE AUTHORITY TO INCREASE OR ALTER THE OBLIGATIONS OF THIS WARRANTY.

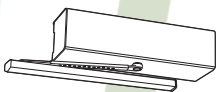
### 7800/7900



Pull/Hinge Side

SOME STATES DO NOT ALLOW LIMITATIONS ON HOW LONG AN IMPLIED WARRANTY LASTS OR THE EXCLUSION OR LIMITATION OF INCIDENTAL OR CONSEQUENTIAL DAMAGES, SO THE ABOVE LIMITATIONS OR EXCLUSIONS MAY NOT APPLY TO YOU.

### 7700



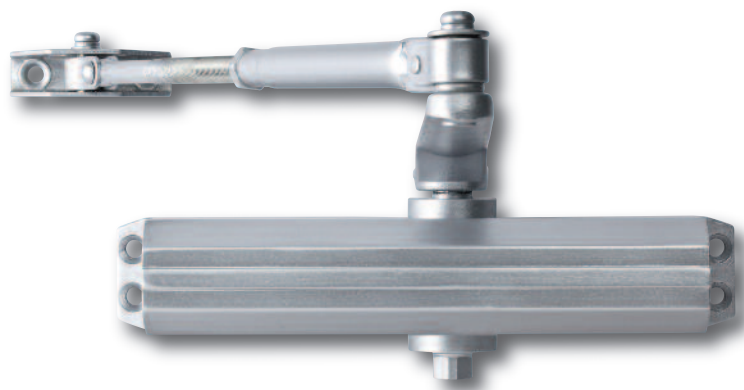
THIS WARRANTY GIVES YOU SPECIFIC LEGAL RIGHTS, AND YOU MAY ALSO HAVE OTHER RIGHTS WHICH VARY FROM STATE TO STATE.

ARROW LOCK® Manufacturing Company

# DC300 Series Door Closers

## Value Product

The Arrow DC300 Series surface applied door closers are an economical value for customers requiring convenience and security in an affordable package. They are ideally suited for retail or office buildings.



### Compliance:

- UL/cUL listed.
- UL10C listed for positive pressure to comply with UBC-72 (1997).
- Meets requirements of ANSI A156.4.
- Adjustable size closers may be adjusted to meet requirements of ADA and ANSI ICC A117.1.



Look for the universal symbol next to Arrow products that comply with ADA accessibility requirements.

### Sizes (Adjustable/Fixed):

- DC314 – Adjustable sizes 1 through 4.
- DC325 – Adjustable sizes 2 through 5.
- DC304 – Fixed size 4.
- DC305 – Fixed size 5.

#### Interior Door Width

	24" (610mm)	30" (762mm)	34" (865mm)	38" (965mm)	48" (1219mm)	54" (1372mm)
Regular Arm & Top Jamb	Size 1	Size 2	Size 3	Size 4	Size 5	
Parallel Arm	Size 2	Size 3	Size 4	Size 5		

#### Exterior (& Vestibule) Door Width

	24" (610mm)	30" (762mm)	36" (914mm)	42" (1067mm)
Regular Arm & Top Jamb	Size 3	Size 4	Size 5	
Parallel Arm	Size 4	Size 5		

### Features:

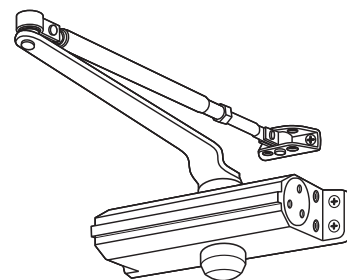
- Cast aluminum body.
- Hardened steel rack and pinion.
- High tensile steel springs.
- Staked valves
- Two non-critical adjusting valves (sweep and latch) control closing speed.
- Backcheck intensity valve.
- All temperature fluid.
- Full plastic cover available (sold separately).
- Non-handed for regular, top jamb and parallel arm mount applications.

- Hold open arm available on adjustable closers – Specify: DC3xx-1.
- Supplied with fully threaded wood screws, machine screws and thru-bolts for 1-3/4" thick doors.
- Packaging: one per box and six boxes per carton.
- 10 year limited warranty.

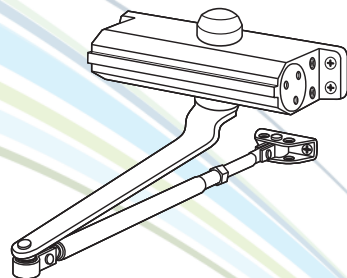
### Finishes:

- Aluminum (689), Specify **AL**
- Dark Bronze (690), Specify **DBZ**

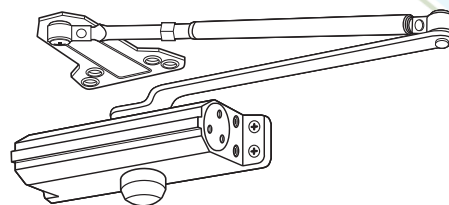
### Regular Arm Installation



### Top Jamb Installation



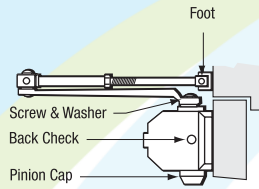
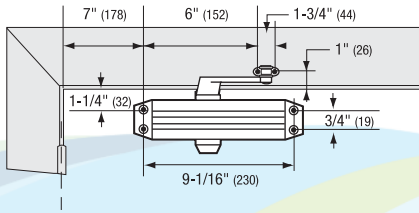
### Parallel Arm Installation



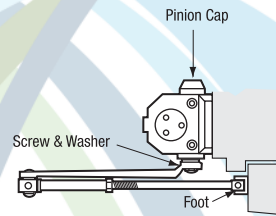
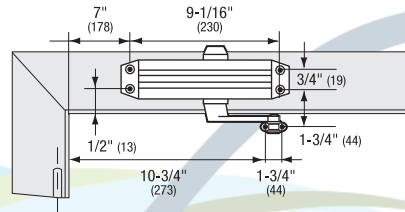
# DC300 Series Door Closers

## Value Product

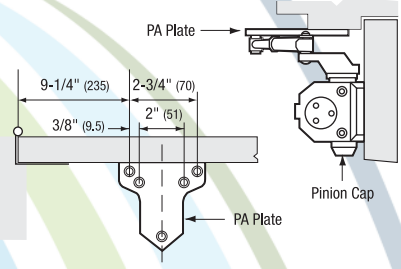
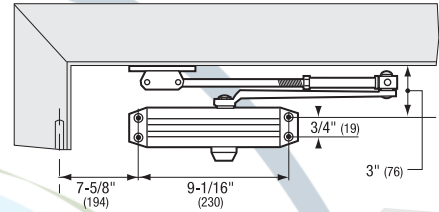
### Regular Arm Installation



### Top Jamb Installation



### Parallel Arm Installation



## How to order the DC300 Series

### Ordering Example:

Quantity	Part Number	Finish
20	DC314-1	• AL

### Complete Units:

	Part No.
Size 4, Standard Non-Hold Open Arm with PA Bracket	DC304
Size 5, Standard Non-Hold Open Arm with PA Bracket	DC305
Size 1-4, Standard Non-Hold Open Arm with PA Bracket	DC314
Size 1-4, Standard Hold Open Arm with PA Bracket	DC314-1
Size 2-5, Standard Non-Hold Open Arm with PA Bracket	DC325
Size 2-5, Standard Hold Open Arm with PA Bracket	DC325-1

### Parts & Accessories:

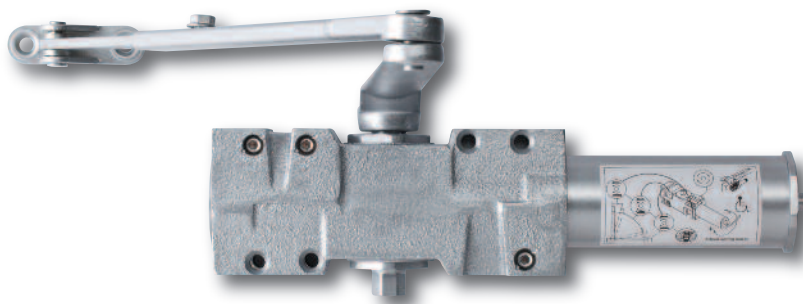
	Part No.
Full Plastic Cover, Screw Pack, 1-3/8" Thru-bolts	DC3CVR
Thru-bolts 2-1/4"	DC300TB2

Specify Finish **AL** or **DBZ**.

# DC500 Series Door Closers

## Classic Product

The Arrow DC500 Series Heavy Duty Surface Applied Door Closers are ideal for Institutions or other high traffic applications. The DC500 is designed for end users looking for value and versatility in a rugged design making this series suitable for a wide variety of applications.



### Compliance:

- UL/cUL listed.
- UL10C listed for positive pressure to comply with UBC-72 (1997).
- Meets the requirements of ANSI A156.4 and ANSI ICC A117.1.
- Meets ADA requirements (Americans with Disabilities Act).



Look for the universal symbol next to Arrow products that comply with ADA accessibility requirements.

### Sizes (Adjustable):

- DC516 closers are adjustable for spring sizes 1 through 6.

Interior Door Width	24"	30"	34"	38"	48"	54"	60"
	(610mm)	(762mm)	(865mm)	(965mm)	(1219mm)	(1372mm)	(1524mm)
Regular Arm & Top Jamb	Size 1	Size 2	Size 3	Size 4	Size 5	Size 6	
Parallel Arm	Size 2	Size 3	Size 4	Size 5	Size 6		

Exterior (& Vestibule) Door Width	24"	30"	36"	42"	48"
	(610mm)	(762mm)	(914mm)	(1067mm)	(1219mm)
Regular Arm & Top Jamb	Size 3	Size 4	Size 5	Size 6	
Parallel Arm	Size 4	Size 5	Size 6		

### Features:

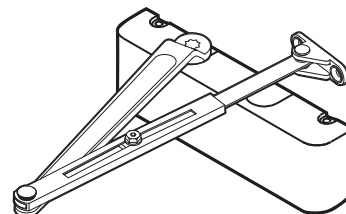
- Heavy duty cast iron body.
- Hardened steel rack and pinion.
- High tensile steel springs.
- Staked valves
- Two non-critical adjusting valves (sweep and latch) control closing speed.
- Backcheck intensity valve.
- All temperature fluid.
- Full plastic cover standard.
- Non-handed for regular, top jamb and parallel arm mount applications.
- Supplied with fully threaded self-reaming/tapping screws, sleeve nuts and thru-bolts for 1-3/4" thick doors.

- DC516-1 Series door closers are supplied with a hold open arm.
- DC516-2 has a heavy duty parallel arm with a stop feature for door openings between 90° and 110°.
- DC516-3 has a heavy duty parallel arm with a stop and thumb turn hold open feature for door openings between 90° and 110°.
- Packaging: one per box and four boxes per carton.
- 10 year limited warranty.

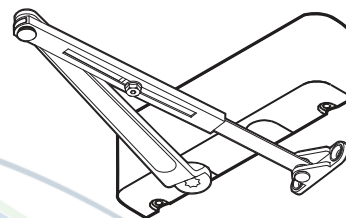
### Finishes:

- Aluminum (689), Specify **AL**
- Dark Bronze (690), Specify **DBZ**

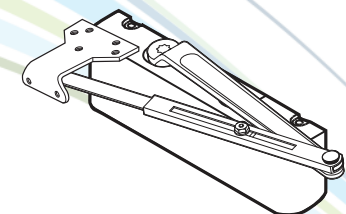
### Regular Arm Installation



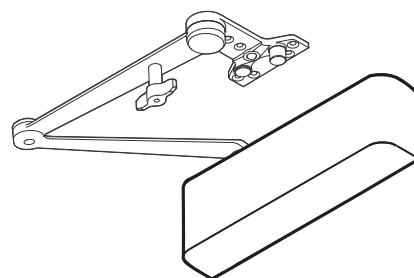
### Top Jamb Installation



### Parallel Arm Installation



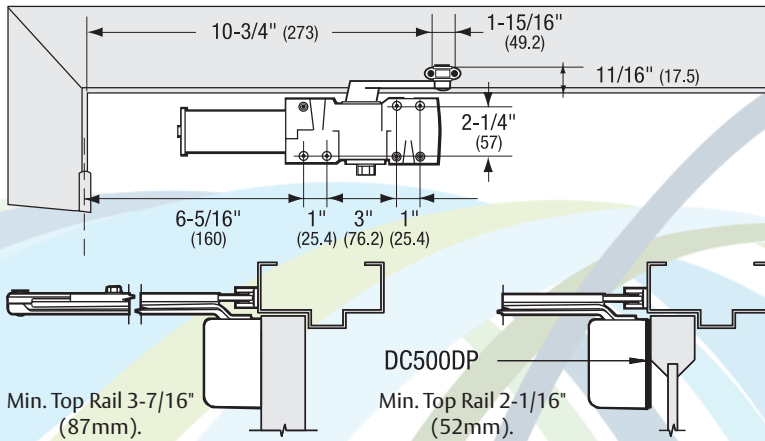
### Heavy Duty Parallel Arm Installation



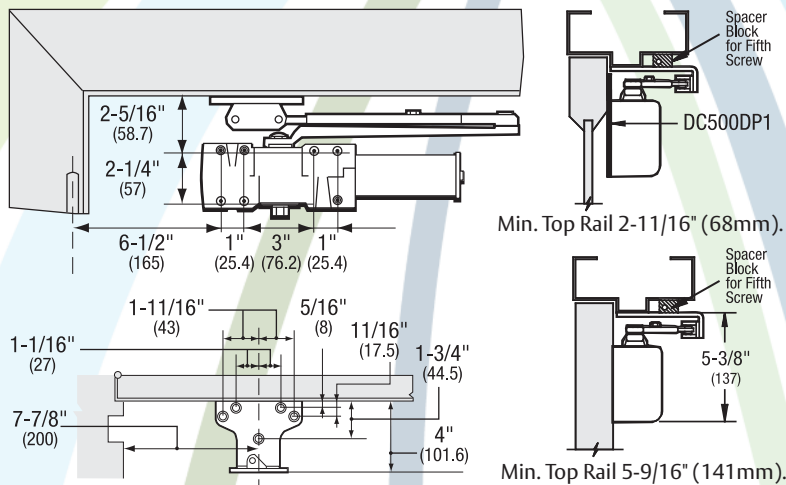
# DC500 Series Door Closers

## Classic Product

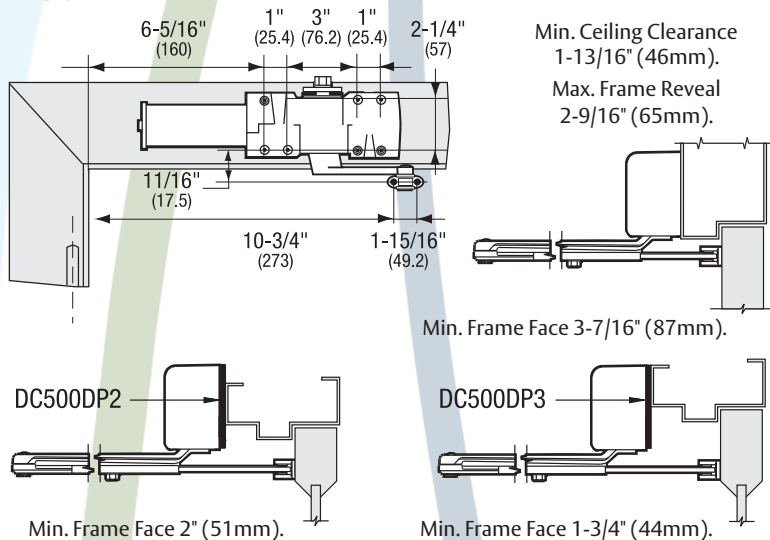
### Regular Arm Installation



### Parallel Arm Installation (180° maximum door swing template illustrated).



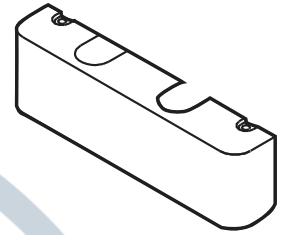
### Top Jamb Installation



### Parts:

#### Cover with Screw Pack

- DC500COV

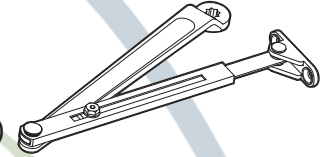


#### Non-Hold Open Arm (Standard with)

- DC516

(To order separately)

- DC500A

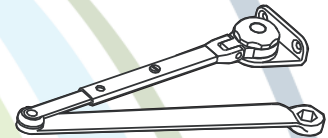


#### Hold Open Arm (Standard with)

- DC516-1

(To order separately)

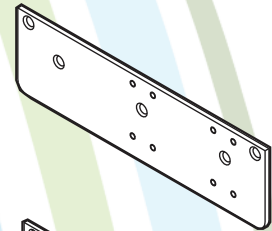
- DC500A1



### Drop Plates

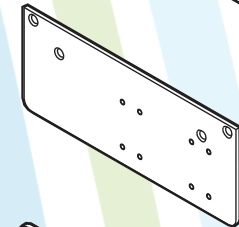
#### Regular Arm Application

- DC500DP



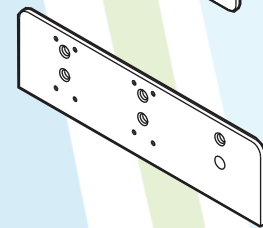
#### Parallel Arm Application

- DC500DP1



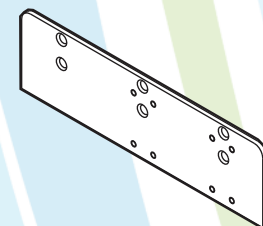
#### Top Jamb Application

- DC500DP2



#### Top Jamb Low Ceiling Application

- DC500DP3

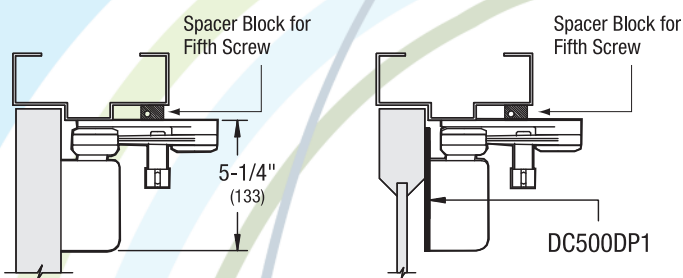
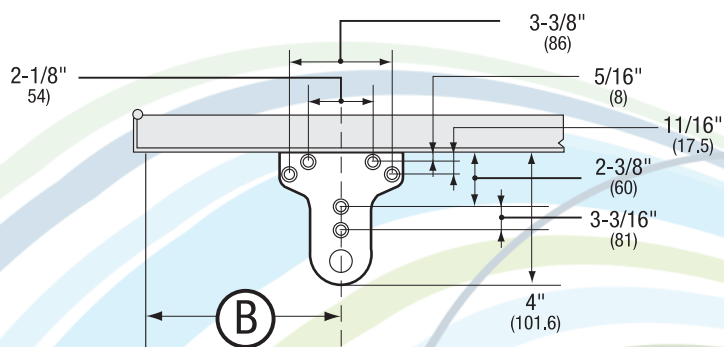
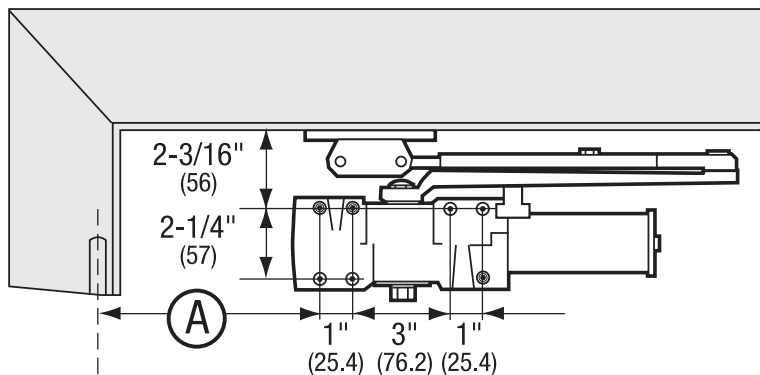


# DC500 Series Door Closers

## Classic Product

### Heavy Duty Parallel Arm with a choice:

- DC516-2 – Non-Hold Open Arm with Stop Feature
- DC516-3 – Thumbturn Hold Open Arm with Stop Feature
- Door Closer can be installed to stop door at:  
85°, 90°, 100° or 110° of door swing.



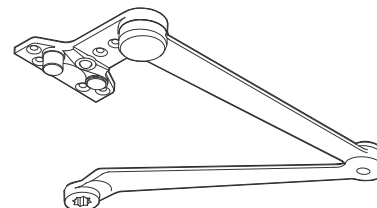
### Parts:

#### Heavy Duty Parallel Arm Non-Hold Open with Stop Feature (Standard with)

- DC516-2

(To order separately)

- DC500A2

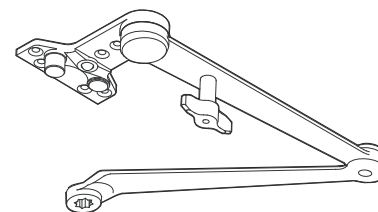


#### Heavy Duty Parallel Arm with Thumbturn Hold Open and Stop Feature (Standard with)

- DC516-3

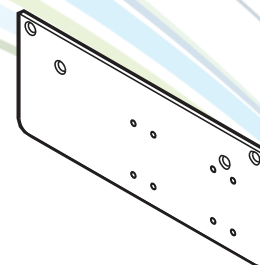
(To order separately)





- DC500A3



#### Drop Plate

- DC500DP1



"A" Dimension	9-1/2" (241)	8-3/4" (222)	7-5/8" (194)	6-5/8" (168)
"B" Dimension	11-1/8" (283)	10-1/2" (267)	9-1/4" (235)	8-3/8" (213)
Degree of Stop	85° 	90° 	100° 	110° 

# DC500 Series Door Closers

## Classic Product

### How to order the DC500 Series

#### Ordering Example:

Quantity	Part Number	Finish
20	DC516-3	• AL

#### Complete Units:

	Part No.
Size 1-6, Non-Hold Open Arm with PA Bracket, Full Plastic Cover, Screw Pack, 1-3/4" Thru-bolts .....	DC516
Size 1-6, Hold Open Arm with PA Bracket, Full Plastic Cover, Screw Pack, 1-3/4" Thru-bolts .....	DC516-1
Size 1-6, Heavy-Duty Dead Stop NHO, Full Plastic Cover, Screw Pack, 1-3/4" Thru-bolts .....	DC516-2
Size 1-6, Heavy-Duty Dead Stop HO, Full Plastic Cover, Screw Pack, 1-3/4" Thru-bolts .....	DC516-3

#### Parts & Accessories:

	Part No.
Full Plastic Cover .....	DC500CV
Drop Plate - Regular .....	DC500DP
Drop Plate - Parallel Arm .....	DC500DP1
Drop Plate - Top Jamb .....	DC500DP2
Drop Plate - Top Jamb, Flush Ceiling .....	DC500DP3
Thru-bolts 1-3/4" .....	DC500TB1
Thru-bolts 1-3/8" .....	DC500TB3
Thru-bolts 2-1/4" .....	DC500TB2
Supplemental Reaming/Tapping Screw Pack.....	DC500SP1
Standard Screw Pack.....	DC500SP2
Standard Non-Hold Open Arm .....	DC500A
Standard Hold Open Arm .....	DC500A1
Heavy-Duty Dead Stop Arm Non-Hold Open .....	DC500A2
Heavy-Duty Dead Stop Arm Hold Open .....	DC500A3

Specify Finish **AL** or **DBZ**.



# 900N Series Door Closers

## Premier Product

The Arrow 900N Series Surface Applied Door Closers are ideal for dealers or end users looking for value and versatility in a compact design. The adjustable spring sizes and ADA barrier free accessibility make this Series ideally suitable for a wide variety of applications.

### Compliance:

- UL/cUL listed.
- Meets the requirements of UL10C and UBC7.2 (1997) for positive pressure.
- Meets the requirements of ANSI A156.4 and ANSI ICC A117.1.
- Meets ADA requirements (Americans with disabilities Act).



Look for the universal symbol next to Arrow products that comply with ADA accessibility requirements.

### Sizes (Adjustable):

- 914N – Adjustable sizes 1 through 4.
- 936N – Adjustable sizes 3 through 6.

Interior Door Width	24"	30"	34"	38"	48"	54"	60"
	(610mm)	(762mm)	(865mm)	(965mm)	(1219mm)	(1372mm)	(1524mm)
Regular Arm & Top Jamb	Size 1	Size 2	Size 3	Size 4	Size 5	Size 6	
Parallel Arm	Size 2	Size 3	Size 4	Size 5	Size 6		

Exterior (& Vestibule) Door Width	24"	30"	36"	42"	48"
	(610mm)	(762mm)	(914mm)	(1067mm)	(1219mm)
Regular Arm & Top Jamb	Size 3	Size 4	Size 5	Size 6	
Parallel Arm	Size 4	Size 5	Size 6		

### Features:

- Cast aluminum body.
- Hardened steel rack and pinion.
- High tensile steel springs.
- Staked valves
- Two non-critical adjusting valves (sweep and latch) control closing speed.
- Backcheck intensity valve.
- All temperature fluid.
- Non-handed for regular, top jamb and parallel arm mount applications.
- Hold open arm available: Specify "H" Suffix.
- Supplied with machine screws, fully threaded self-reaming/tapping screws, sleeve nuts and thru-bolts for 1-3/4" thick doors.

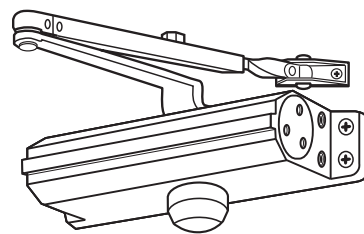
- Packaging: one per box and six boxes per carton.
- 10 year limited warranty.

### Finishes:

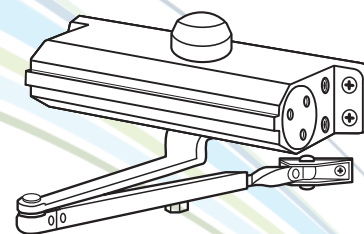
- Aluminum (689), Specify **AL**
- Dark Bronze (690), Specify **DBZ**
- Light Bronze (691), Specify **LBZ**
- Gold (696), Specify **GL**
- Black (693), Specify **BLK**



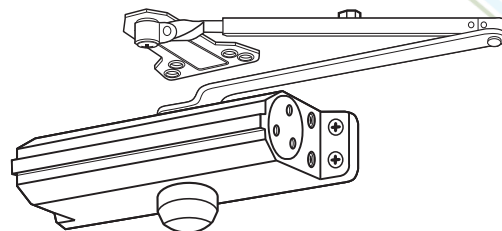
### Regular Arm Installation



### Top Jamb Installation

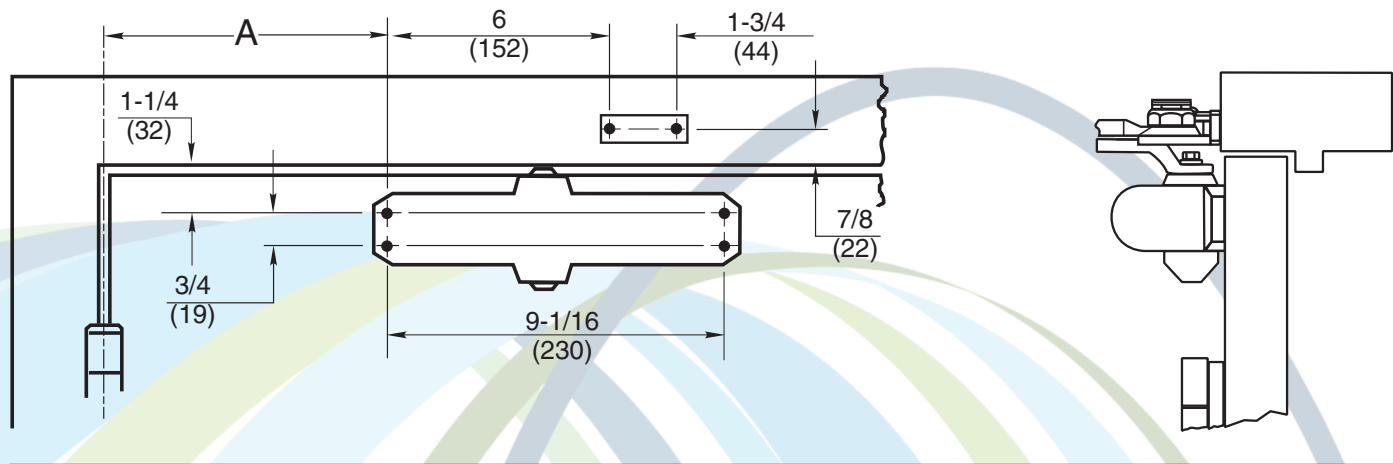


### Parallel Arm Installation



# 900N Series Door Closers

Premier Product



## How to order the 900N Series

### Ordering Example:

Quantity	Part Number	Finish
20	936N	AL

### Complete Units:

	Part No.
Tri-Pack, Standard Arm, Sizes 1-4.....	914N
Tri-Pack, Standard Arm, Sizes 3-6.....	936N
Tri-Pack, Hold Open Arm, Sizes 3-6.....	936NH
Tri-Pack, Hold Open Arm, Sizes 1-4.....	914NH

### Parts & Accessories:

	Part No.
Drop Plate.....	936DP
914N Closer Body Only.....	914BO
936N Closer Body Only.....	936BO
Through-Bolts for 1-3/8" Thick Door.....	5016TB38
Through-Bolts for 1-3/4" Thick Door.....	5016TB34
Complete Non-Hold Open Arm Assembly (tri-pack).....	5016CNA
Complete Hold Open Arm Assembly (tri-pack).....	5016CHA

Specify Finish: AL, DBZ, LBZ, GL, or BLK

# 5016N Series Door Closers

## Premier Product

The Arrow 5016N Series Surface Applied Door Closers are ideal for use in commercial and institutional facilities where there is a demand for reliability and flexibility. Arrow offers multiple options for compliance with barrier-free codes for interior or exterior doors.

### Compliance:

- UL/cUL listed.
- Meets the requirements of UL10C and UBC7.2 (1997) for positive pressure.
- Meets the requirements of ANSI A156.4 and ANSI ICC A117.1.
- Meets ADA requirements (Americans with disabilities Act).



Look for the universal symbol next to Arrow products that comply with ADA accessibility requirements.

### Sizes (Adjustable):

- 5016N– Adjustable sizes 1 through 6, Standard Arm or Hold Open Arm.

Interior Door Width	24"	30"	34"	38"	48"	54"	60"
	(610mm)	(762mm)	(865mm)	(965mm)	(1219mm)	(1372mm)	(1524mm)
Regular Arm & Top Jamb	Size 1	Size 2	Size 3	Size 4	Size 5	Size 6	
Parallel Arm	Size 2	Size 3	Size 4	Size 5	Size 6		

Exterior (& Vestibule) Door Width	24"	30"	36"	42"	48"
	(610mm)	(762mm)	(914mm)	(1067mm)	(1219mm)
Regular Arm & Top Jamb	Size 3	Size 4	Size 5	Size 6	
Parallel Arm	Size 4	Size 5	Size 6		

### Features:

- Cast aluminum body.
- Hardened steel rack and pinion.
- High tensile steel springs.
- Staked valves
- Two non-critical adjusting valves (sweep and latch) control closing speed.
- Backcheck intensity valve.
- All temperature fluid.
- Available with a full plastic cover or a slim plastic cover (specify "S" suffix)..
- Non-handed for regular, top jamb and parallel arm mount applications.
- Hold open arm available on adjustable closers.

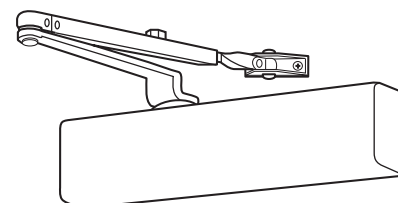
- Available with optional delayed action adjusted with separate independent valve. Delays door closing to allow unimpeded passage through the opening. Specify "D" suffix
- Supplied with machine screws, fully threaded self-reaming/tapping screws, sleeve nuts and thru-bolts for 1-3/4" thick doors.
- Packaging: one per box and four boxes per carton.
- 10 year limited warranty.

### Finishes:

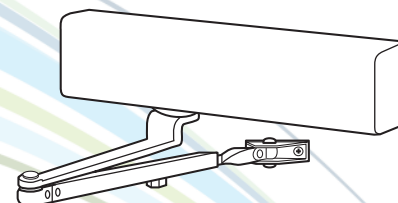
- Aluminum (689), Specify **AL**
- Dark Bronze (690), Specify **DBZ**
- Light Bronze (691), Specify **LBZ**
- Gold (696), Specify **GL**
- Black (693), Specify **BLK**



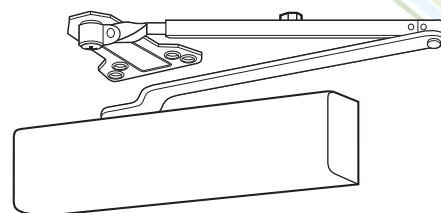
### Regular Arm Installation



### Top Jamb Installation

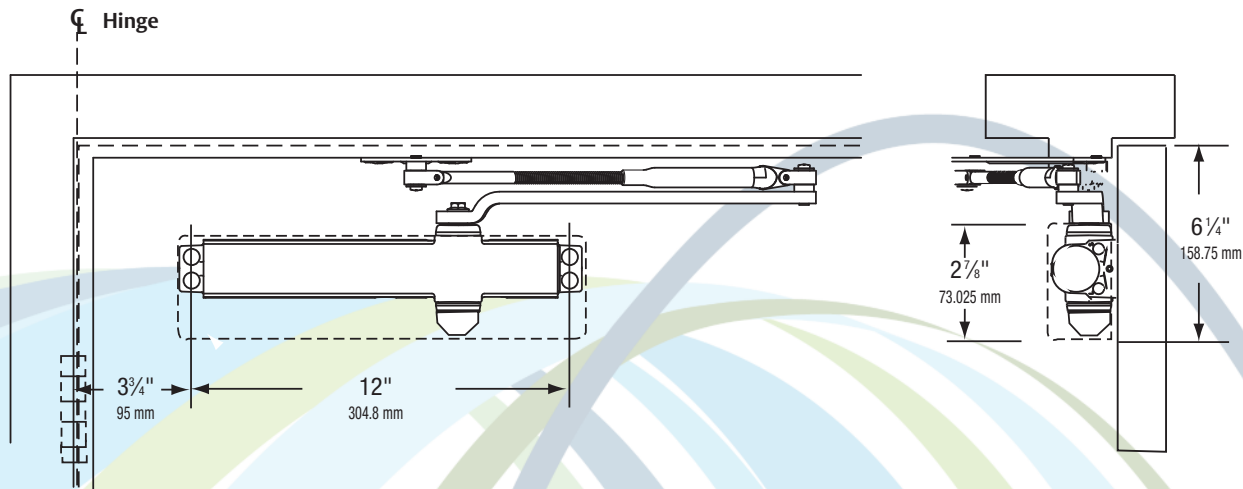


### Parallel Arm Installation



# 5016N Series Door Closers

## Premier Product



## How to order the 5016N Series

### Ordering Example:

Quantity	Part Number	Finish
20	5016N	AL

### Complete Units:

	Part No.
Tri-Pack, Slim Plastic Cover, Standard Arm, Sizes 1-6.....	5016NS
Tri-Pack, Full Plastic Cover, Standard Arm, Sizes 1-6 .....	5016N
Tri-Pack, Slim Cover, Standard Arm, Sizes 1-6, Delayed Action .....	5016NSD
Tri-Pack, Full Cover, Standard Arm, Sizes 1-6, Delayed Action.....	5016ND
Tri-Pack, Slim Plastic Cover, Hold Open Arm, Sizes 1-6.....	5016NSH
Tri-Pack, Full Plastic Cover, Hold Open Arm, Sizes 1-6.....	5016NH
Tri-Pack, Slim Plastic Cover, Hold Open Arm, Sizes 1-6, Delayed Action .....	5016NSHD
Tri-Pack, Full Plastic Cover, Hold Open Arm, Sizes 1-6, Delayed Action .....	5016NHD

### Parts & Accessories:

	Part No.
Drop Plate.....	5016DP
Full Plastic Cover .....	5016FC
Slim Plastic Cover.....	5016SC
5016N Closer Body Only .....	5016BO
5016N Closer Body Only with Delayed Action .....	5016BOD
Through-Bolts for 1-3/8" Thick Door .....	5016TB38
Through-Bolts for 1-3/4" Thick Door .....	5016TB34
Complete Non-Hold Open Arm Assembly (tri-pack).....	5016CNA
Complete Hold Open Arm Assembly (tri-pack).....	5016CHA

Specify Finish: AL, DBZ, LBZ, GL, or BLK

# 7800 & 7900 Powered Door Operators


## Premier Product

The Arrow 7800 & 7900 Series Powered Door Operators are low-energy operators which function as standard spring-force closers during close cycles when a door is opened manually, or if power is lost or turned off.

The 7800 is a hard wired door operator ideal for doctors' offices, retirement facilities, schools, churches, and other applications where noise may be a concern. The 7900 Series builds off the platform of the 7800 but is supplied with a plug-in power cord.

### Compliance:

- UL/cUL listed.
- Meets the requirements of ANSI A156.4, ANSI ICC A117.1 and ANSI/BHMA A156.19 requirements.
- Meets ADA requirements (Americans with disabilities Act).

 Look for the universal symbol next to Arrow products that comply with ADA accessibility requirements.

Interior Door Width	24" (610mm)	30" (762mm)	34" (865mm)	38" (965mm)	48" (1219mm)	54" (1372mm)	60" (1524mm)
Regular Arm & Top Jamb	Size 1	Size 2	Size 3	Size 4	Size 5	Size 6	
Parallel Arm	Size 2	Size 3	Size 4	Size 5	Size 6		

Exterior (& Vestibule) Door Width	24" (610mm)	30" (762mm)	36" (914mm)	42" (1067mm)	48" (1219mm)
Regular Arm & Top Jamb	Size 3	Size 4	Size 5	Size 6	
Parallel Arm	Size 4	Size 5	Size 6		

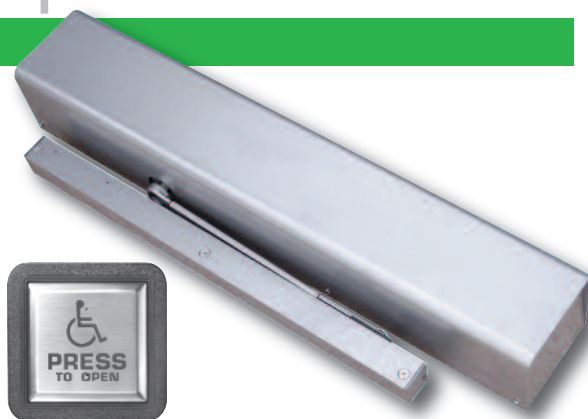
### Features:

- Ease of installation and setup
- Simple instructions
- Application versatility and ease of adjustment. Push or pull side mounted units available
- Operates as mechanical surface closer during close cycles, when door is opened manually or if power is interrupted
- Quiet operation
- Spring force provides the feel of a normal manual door closer
- Adjustable Spring Power
- Backcheck Valve
- Sweep Valve & Latch Valve
- Non-Handed
- Unit Activation Options:
  - Wall switches
  - Radio frequency device
- End-User On/Off Switch
- Hold Open options:
  - 0-30 seconds (5 seconds minimum required for ADA and ANSI/BHMA A156.19)

- Obstruction Detection:
  - Motor stops if door is obstructed during a powered opening cycle
  - Door closes under manual spring force (not to exceed 15lbs)
- Power Input: 120 VAC, 60Hz
- Current Draw: .6A
- Relay Output: DPDT
  - Normally Open/Normally Closed (jumper) for electric strike function
- On Board UL Listed Power Supply
  - Rated at 1.1 amps
  - 24VDC filtered and regulated voltage output
- 2-year warranty

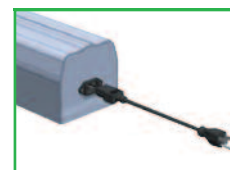
### Finishes:

- Aluminum (689), Specify **AL**
- Dark Bronze (690), Specify **DB**

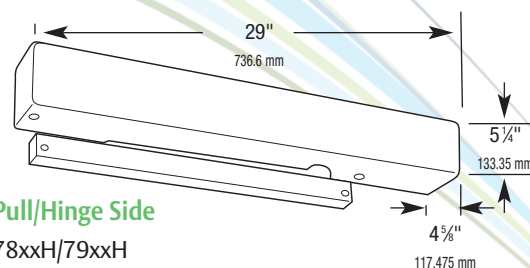


Introducing the Arrow 7900 Series Door Operator with Plug-in Power Cord!

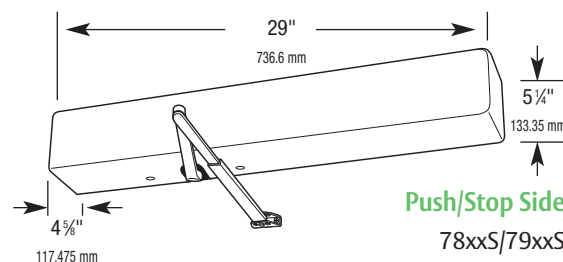
Arrow is pleased to announce the addition of the 7900 series powered door operator to its product line. This series is an extension of the 7800 series but offers the convenience of a plug-in power cord, in lieu of the hard wire power input requirement for the 7800 series. The 7900 series, once installed, simply plugs into a code compliant 120 VAC power receptacle.



The power cord is only available on new 7900 Series products and cannot be added to 7800 Series operators. The offering is the same as our current non-power cord version (7800 Series) except that the part numbers begin with 79xx instead of 78xx.



Pull/Hinge Side  
78xxH/79xxH



Push/Stop Side  
78xxS/79xxS

# 7800 & 7900 Powered Door Operators

## Premier Product

### Standard Applications:



### 7814H/7836H/7914H/7936H

#### Hinge (Pull) Side of Door

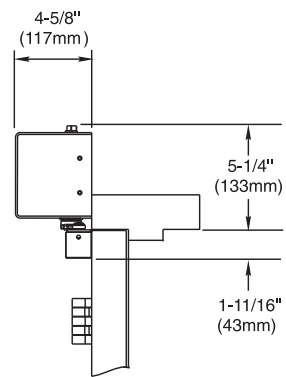
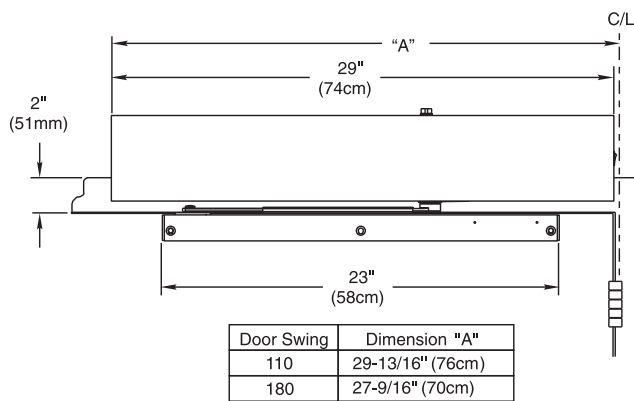
- Adjustable Stop
- 180° swing (trim permitting)

Minimum Door width

Single Door – 29" (74cm)

Double Door – 30" (76cm)

An auxiliary door stop is suggested where severe conditions exist, or door opens beyond 110°.



**NOTE:** Contact factory for use on doors exceeding 250 lbs.

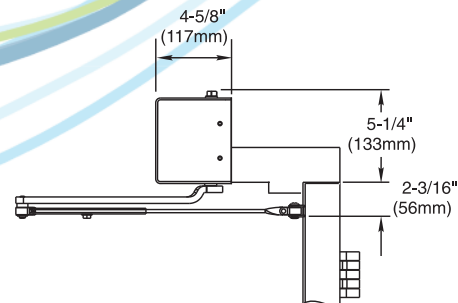
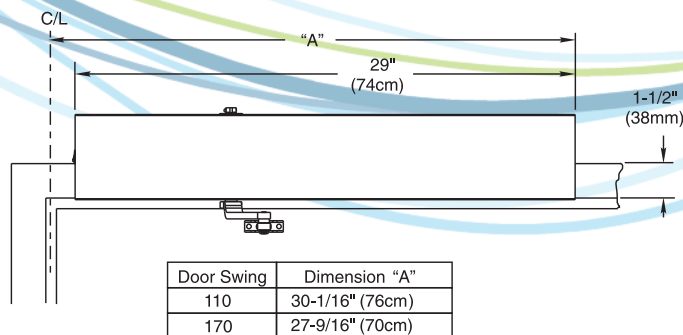


### 7814S/7836S/7914S/7936S

#### Stop (Push) Side of Door

#### Standard Duty Double Lever Arm

- Frame reveals 2-5/8" to 6-3/4" (67-171mm)
- An auxiliary door stop is required for these applications.
- 170° swing (trim permitting)

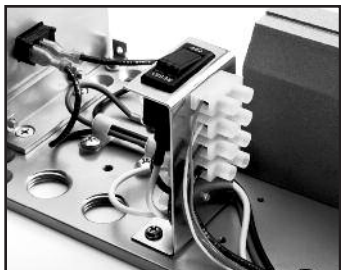


**NOTE:** Contact factory for use on doors exceeding 250 lbs.

# 7800 & 7900 Powered Door Operators

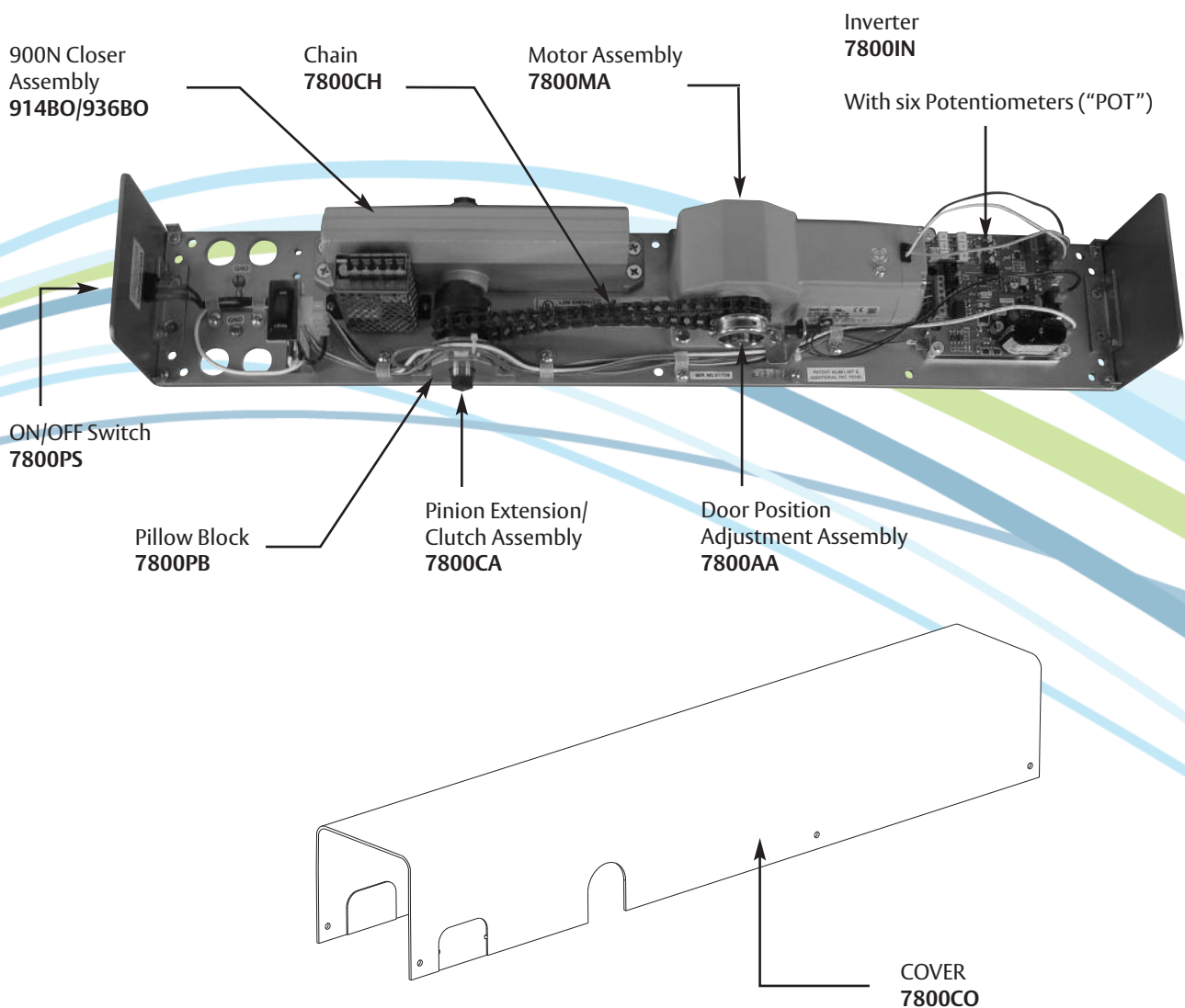
## Premier Product

### Internal Components & Mechanism:



- Circuit breaker
- Activation switch terminal
- Relay terminal

POT	DESCRIPTION
COMP	Motor Torque at Hold Open Position
ACC	Door Mounting (Factory Set)
DEC/B	Hold Open Time (5-30 Seconds)
MIN	Motor Reversing Speed
MAX	Door Open Speed
CL	Obstruction Detection on Open



# 7800 & 7900 Powered Door Operators

## Premier Product

### Parts & Accessories:

#### Arm and Track Assemblies



7800TC – Arm and Track Assembly  
7800TA – Arm Assembly  
7800TO – Track Assembly



7800SC – Arm Assembly  
7800SA – Main Arm & Adjusting Tube  
7800ST – Rod & Shoe

#### Signage

- Supplied standard



2 Per Operator



1 Per Switch



1 Per Switch

#### Push Switches

- 6-5/8" square (box); 8-1/8" square (trim)
- 9 volt battery for RF switches
- Temperature: -4° F to 122° F
- 15 amp @ 125VAC
- Flush or surface† mounted
- Stainless steel with blue letters
- 7800WSHR and 7800WSTR – radio frequency (433MHz)
- For units with radio frequency option having the 7800RK kit
- 7800WST and 7800WSH – hard wired\*



7800WSH, 7800WSHR



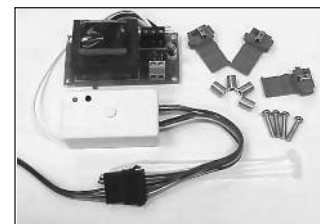
7800WST, 7800WSTR

\* Switches may be installed with single or double gang electrical box using fasteners included.

† When surface mounted, switches project 2" from wall.

#### Radio Frequency Kit

- Radio Frequency Receiver (433 MHz)
- 24 VDC power supply
- Activation switches not included.
- Order 7800KF, 7800T1, 7800T2, 7800WSHR, or 7800WSTR separately.



7800RK

#### Key Fob 7800KF

- Used with radio frequency option 7800RK kit



7800KF

#### Transmitters

##### A. Single Channel 7800T1

- 2-3/8" w x 4-3/16" h x 15/16" d

##### B. Two Channel 7800T2

- 2-3/8" w x 4-3/16" h x 15-16" d



A.  
7800T1



B.  
7800T2



# 7800 & 7900 Powered Door Operators

## Premier Product

### How to order the 7800 & 7900 Series

#### Ordering Example:

Quantity	Part Number	Finish
20	7836H	AL

### 7800 & 7900 Series Powered Door Operators

Mount Application	Closer Size	Radio Frequency	2 Wall Switches	7800	7900
Hinge/Pull	1-4	✓		7814H	7914H
		✓	✓	7814HR	7914HR
		✓	✓	7814HRP	7914HRP
	3-6	✓		7836H	7936H
		✓	✓	7836HR	7936HR
		✓	✓	7836HRP	7936HRP
Stop/Push	1-4	✓		7814S	7914S
		✓	✓	7814SR	7914SR
		✓	✓	7814SRP	7914SRP
	3-6	✓		7836S	7936S
		✓	✓	7836SR	7936SR
		✓	✓	7836SRP	7936SRP
Universal	1-4	✓		7814U	7914U
	3-6	✓		7814UR	7914UR
		✓		7836U	7936U
				7836UR	7936UR

### Accessories

Description	Radio Frequency	Switch Displays Handicap Icon	Part Number
6" x 6" Door Switch .....	✓		7800WSTR
Key Fob .....	✓		7800WSHR
Single Channel Hand Held Transmitter .....		✓	7800WSH
Two Channel Hand Held Transmitter .....		✓	7800WST
Radio Frequency Kit .....			7800KF
Mounted Sample Unit (includes 7800MK) .....			7800T1
Display Mounting Kit .....			7800T2
			7800RK
			M7802
			7800MK

### Parts

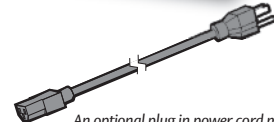
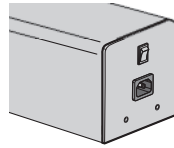
Description	Part Number
Chain .....	7800CH
Motor Assembly .....	7800MA
Inverter .....	7800IN
On/Off Switch .....	7800PS
Pillow Block .....	7800PB
Pinion Extension Clutch Assembly .....	7800CA
Door Position Adjustment Assembly .....	7800AA
Cover .....	7800CO
Arm & Track Assembly .....	7800TC
Arm Assembly .....	7800TA
Track Assembly .....	7800TO
Standard Arm Assembly .....	7800SC
Main Arm & Rod .....	7800SA
Adjusting Tube & Shoe .....	7800ST

Complete Units, Specify Finish AL or DBZ.

# 7700 Powered Door Operator

## Classic Product


The Arrow 7700 Series offers functionality and control at an affordable price. Ideal for retrofit applications, the 7700 Series converts interior, non-fire rated doors for ADA compliance easily and affordably while providing a simple way to achieve touchless environments in public restrooms. Furnished standard with a track assembly, the pull-side mounted unit can be operated manually or activated by wall switches, or radio frequency devices. Easy to install, set-up and adjust, the 7700 Series is perfect for ADA-compliant offices, classrooms and dorm rooms, and touch free applications like public restrooms, labs and examination rooms.



An optional plug in power cord model can be ordered. Plug in plate will be installed to the 7700 series by the factory.

**Introducing the Arrow 7710P and 7710PRF1 Series Door Operator with an Optional Plug-in Power Cord!**

### Compliance:

- \* ETL listed
  - \* Meets the requirements of ANSI/U.L. standard 325 for automatic closing doors
  - \* Meets the requirements of ANSI/BHMA standard A117.1
  - \* Meets ADA requirements (Americans with Disabilities Act)
-  Look for the universal symbol next to Arrow products that comply with ADA accessibility requirements.

### Features:

- Pull side mounting
  - Non-handed
  - Quiet operation
  - Electrically controlled backcheck, sweep and latch
  - Activation options: wall switches, radio frequency devices
  - Ease of installation and set-up
  - On/Off Switch
  - Hold open options: 0-30 seconds (5 seconds minimum required for ADA and ANSI/BHMA A156.19)
  - Onboard 24VDC (1.1A) power supply for accessories
  - Door closer mode for manual usage
  - Electronic motor dampening
    - provides feel of normal, manual door closer
  - Electric hardware and access control interface
  - Optional AC power cord
  - Push & Go
    - As the door is manually opened, the operator “senses” movement and opens door to the full-open position.
- Obstruction Detection
    - Motor stops if door is obstructed during opening
  - Motor Start Delay
    - 0-5 second delay to allowing locking hardware to release first
  - Overload Safety Shut-Off
    - After two minutes of receiving a door activation signal, the inverter will time out and close the door
    - Prevents motor/inverter damage
  - Power Input; 120 VAC, 60Hz
  - Current Draw: .6A
  - Relay Output: SPDT
    - Normally Open/Normally Closed (jumper)
    - For electric strike function
  - 1-year warranty

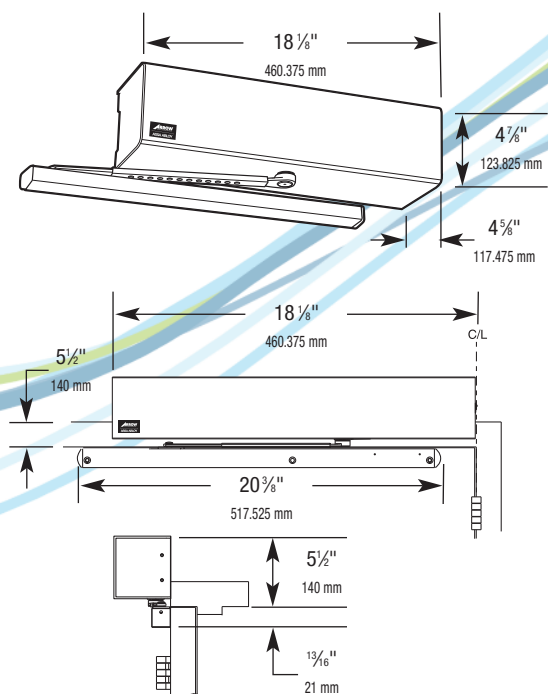
### Finishes:

- Aluminum (689), Specify AL
- Dark Bronze (690), Specify DB

Arrow is pleased to announce the addition of the 7700 series powered door operator to its product line. The 7700 series requires hard wired installation with standard electric power. An optional plug in power cord model can be ordered (factory installed only) and will simply plug into a code compliant 120 VAC power receptacle.

Radio frequency can also be ordered as an additional feature for convenience. See the parts reference chart and ordering requirements for more information.

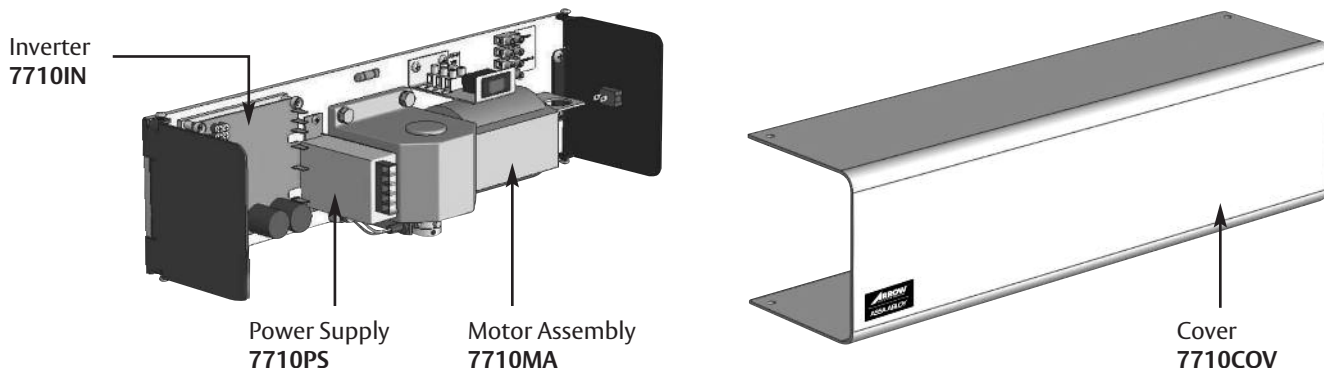
### Pull/Hinge Side



# 7700 Powered Door Operator

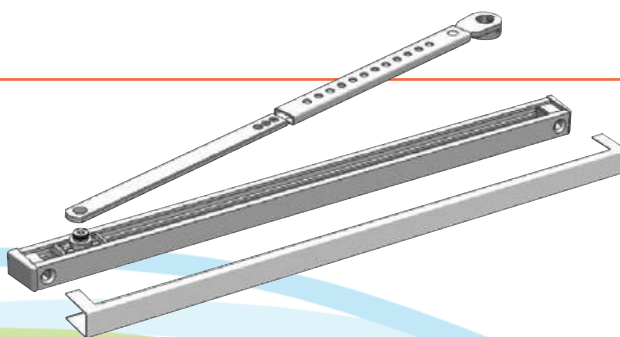
## Classic Product

### Internal Components & Mechanism:



### Parts & Accessories:

7710-1 – Arm and Track Assembly



7800SW2,  
7800SW3



7800SW1,  
7800SW4

#### Push Door Switches

- 6" width x 6" height
- 9 volt battery
- 15 amp @ 125VAC
- Flush or surface mounted
- Stainless steel with blue letters
- 7800SW1, 7800SW2 Radio frequency (433MHz). Used with RF1 option and 7710RK Radio Frequency Kit.
- 7800SW1, 7800SW2 – hard wired\*

\* Switches may also be installed with single or double gang electrical box using fasteners included.



7710SW5

#### Touchless Wall Switch

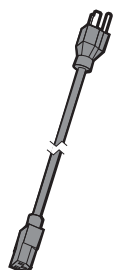
- Single gang and double gang
- Doppler radar
- Sensor requires movement for activation
- Variable relay-hold time from 1 to 10 seconds
- Range of 2" to 24" – field adjustable
- 2-3/4" (Single); 4-1/2" (Double) w x 4-1/2" h.



7710RK

#### Radio Frequency Receiver

- Radio Frequency Receiver (433 MHz)
- Activation switches not included.



7710PC

#### Replacement Power Cord

18" power cord. This replacement can be ordered if the original is lost or damaged.

# 7700 Powered Door Operator

## Classic Product

### How to order the 7700 Series

#### Ordering Example:

Quantity	Part Number	Finish
20	7710	AL

### 7700 Series Powered Door Operator

Mount Application	Radio Frequency	1 Touchless Wall Switch	Part Number
Hinge (Pull) Side of Door .....		✓	7710.AL
Hinge (Pull) Side of Door .....		✓	7710.DBZ
Hinge (Pull) Side of Door with Radio Frequency .....	✓	✓	7710RF1.AL
Hinge (Pull) Side of Door with Radio Frequency .....	✓	✓	7710RF2.DBZ
Hinge (Pull) Side of Door with Power Cord .....		✓	7710PC.AL
Hinge (Pull) Side of Door with Power Cord .....		✓	7710PC.DBZ
Hinge (Pull) Side of Door with Radio Frequency & Power Cord .....	✓	✓	7710PRF1.AL
Hinge (Pull) Side of Door with Radio Frequency & Power Cord .....	✓	✓	7710PRF2.DBZ

### Accessories

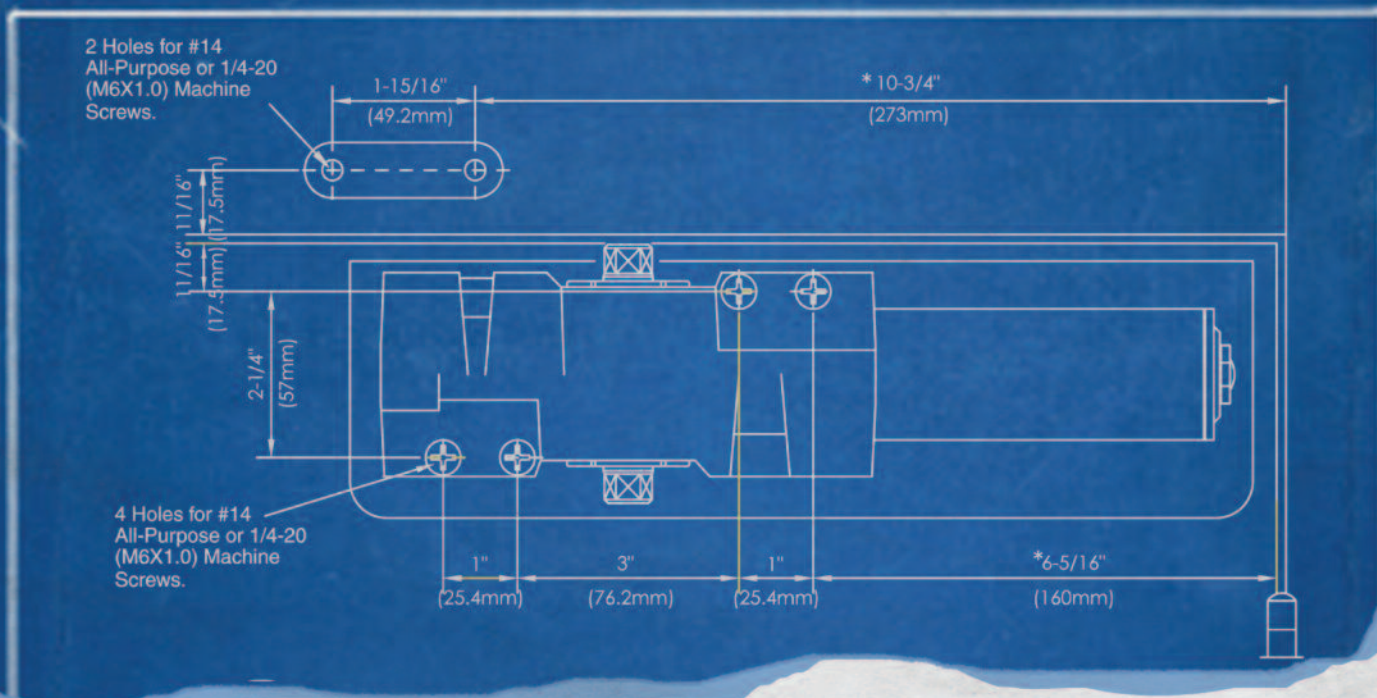
Description	Radio Frequency	Switch Displays Handicap Icon	Part Number
Door Switch – 6" x 6", Radio Frequency, ADA Symbol .....	✓	✓	7800SW2
SPDT Door Switch – 6" x 6", Hard Wired .....			7800SW4
Door Switch – 6" x 6", Radio Frequency .....	✓		7800SW1
SPDT Door Switch – 6" x 6", Hard Wired, ADA Symbol .....		✓	7800SW3
Touchless Wall Switch .....			7710SW5
Radio Frequency (RF1) Kit .....	✓		7710RK

### Parts

Description	Part Number
Power Cord .....	7710PC
Inverter .....	7710IN
Cover .....	7710COV.AL/DBZ
Screw Pack .....	77107710SP
Arm and Track Assembly .....	7710-1.AL/DBZ
Power Supply .....	7710PS

Complete Units, Specify Finish AL or DBZ.

# SAME HOLE PATTERN



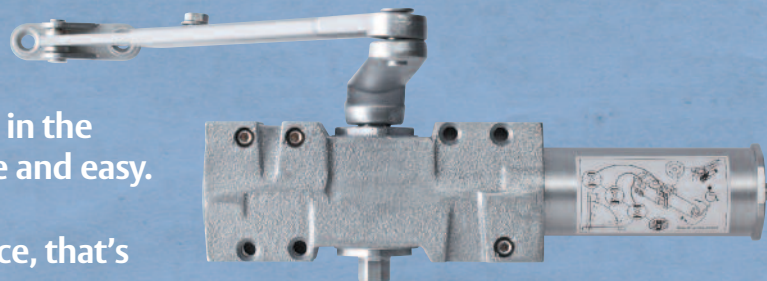
## A FRACTION OF THE PRICE

The new DC500 from Arrow offers a quality cast iron closer from a recognizable ASSA ABLOY brand, at a price point you can afford.

The DC500 is designed to fit the most popular retrofit hole pattern in the field today, so installation is simple and easy.

The right products, at the right price, that's the Arrow advantage.

Contact your local distributor to learn more or visit [arrowlock.com](http://arrowlock.com)





**ASSA ABLOY**

**ARROW USA**

Phone: 800-839-3157

Fax: 800-421-6615

**ARROW CANADA**

Phone: 1-888-633-3264

Fax: 1-888-263-3326

Visit us at our Website:

[www.arrowlock.com](http://www.arrowlock.com)

For more information regarding Arrow locksets, exit devices, door closers and key systems, contact your authorized Arrow distributor.



**Facebook:** [www.facebook.com/arrowrevolution](http://www.facebook.com/arrowrevolution)



**Twitter:** [www.twitter.com/arrowrevolution](http://www.twitter.com/arrowrevolution)



**YouTube:** [www.youtube.com/revolutionbyarrow](http://www.youtube.com/revolutionbyarrow)



**E-Newsletter Signup:** [www.arrowlock.com/newsletter](http://www.arrowlock.com/newsletter)

ASSA ABLOY is the global leader in door opening solutions dedicated to satisfying end-user needs for security, safety and convenience.