

IMPORTANT
 FOLD HERE ON
 HIGH EDGE OF
 BEVELED DOOR

1 1/2" DOOR
 1 1/2" DOOR

MARK FOR 1" DIA.
 HOLE AT CENTER
 OF DOOR THICKNESS.

DRILL THRU INTO
 CROSS BORE HOLE
 PARALLEL TO SIDES
 OF DOOR.

2 3/8" BACKSET (20 PREFIX)

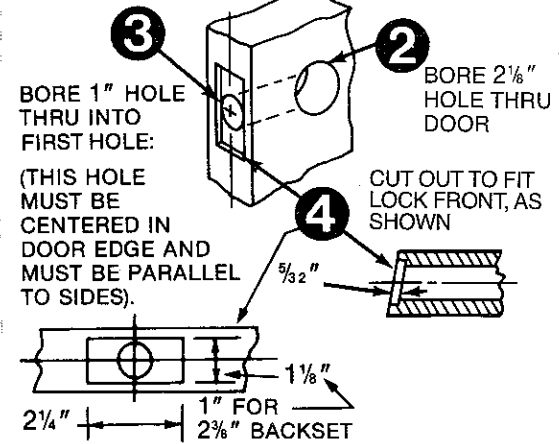
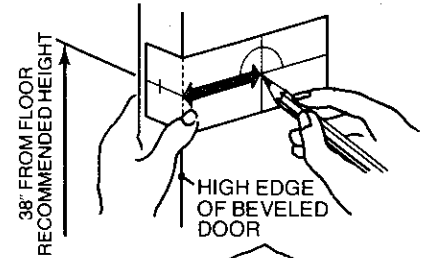
2 3/4" BACKSET

DETERMINE CORRECT BACKSET
 AND DOOR THICKNESS—THEN
 PLACE TEMPLATE ON DOOR
 AND MARK FOR HOLES.

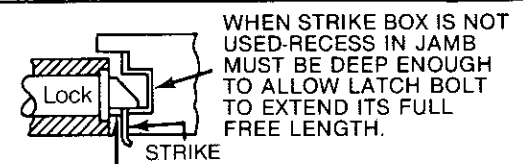
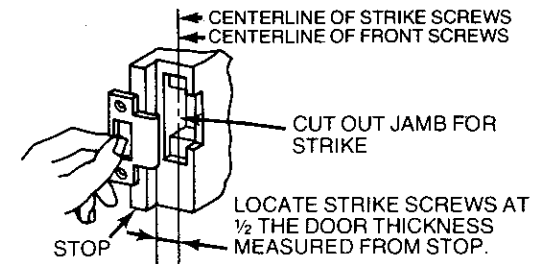
BORE 2 1/2"
 HOLE THRU
 DOOR
 FIRST

TO MORTISE DOOR FOR LOCK

- 1** DETERMINE CORRECT BACKSET AND DOOR THICKNESS—THEN PLACE TEMPLATE ON DOOR AND MARK FOR HOLES.



TO MORTISE FRAME FOR STRIKE



GUARD BOLT STOPS ON STRIKE WHEN DOOR IS CLOSED.

SEE REVERSE SIDE