

# B1 - BOTTOM PIVOT HINGE ORDER FORM

ORDER DATE:

CUSTOMER NAME:

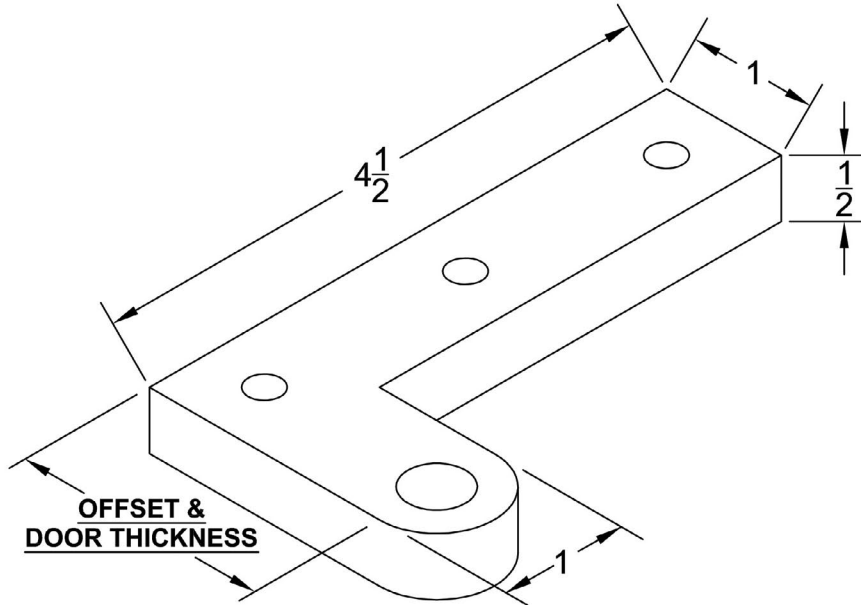
CUSTOMER P.O. NO.:

CUSTOMER SIGNATURE:

QUANTITY:

QTY. LEFT HAND:

QTY RIGHT HAND:



RIGHT HAND SHOWN  
SCREW: 1-1/4 x #12

THRUST BEARINGS AND/OR  
NEEDLE BEARINGS ADDED FOR  
EXCESSIVE WEIGHT AND HEIGHT

(?) PROJECTION DETERMINED BY JOB CONDITION

ALTERNATE FOR DOORS OVER 200 lbs.  
IS 1/2" x 1" STOCK - 1-1/2" x #14 SCREWS

**ALL PIVOTS ARE CUSTOM MADE TO SUIT JOB CONDITION**

## DOOR THICKNESS

1-3/4"

2-1/4"

OTHER

## OFFSET

3/8"

3/4"

OTHER



E-mail: [sales@fcbp.com](mailto:sales@fcbp.com)

First Choice Building Products, LLC.

1222 Ardmore Avenue, Itasca 60143

800-793-4544 • FAX 800-867-5016 • [www.fcbp.com](http://www.fcbp.com)

- Download File
- Fill out form & Save
- SUBMIT
- Attach File & Send



**ALL PIVOTS ARE CUSTOM MADE TO SUIT JOB CONDITION**