

# Installation Instructions

## Concealed Door Loop (CDL) for Continuous and Butt Hinge Application Only



### Purpose:

The CDL is used to provide a concealed transfer of power from the door frame to the door for Continuous and Butt Hinge applications. This product has a swing range of up to **180°**.



### DO NOT PROCEED WITHOUT READING THIS SECTION OF THE INSTRUCTIONS.



To determine the best location for installation, please take the following into consideration:

1. Be sure that the opening does not exceed **180°** swing range.
2. When door is closed the total length of the CDL (6") will be concealed in a combined space within the door and door frame. Make sure there is ample space for the CDL armored cable to move freely. Examples:
  - 3" (door side) + 3" (door frame side) = 6" total
  - 4" (door side) + 2" (door frame side) = 6" total
  - 1" (door side) + 5" (door frame side) = 6" total
3. Be sure to select a location on the **door** for the CDL that does not compromise the structural integrity of the door when drilling the 5/8" hole.
4. Be sure to select a location on the **frame** for the CDL that will not come into contact with any reinforcement or anchoring brackets within the frame when drilling the 5/8" hole.
5. For best results, position the CDL in a location that allows the armored cable to easily travel inside both the door and door frame and provides proper wire slack for free movement.
6. Wire cable **MUST** slide freely within the CDL's armored cable. Installing a cable that is too thick to slide freely will result in premature failure due to flexing and stretching.

### THE FOLLOWING STEPS GO ALONG WITH THE DIAGRAM ON PAGE 2

#### Preparation:

- fig. 1- With the door partially open, measure and mark the distance from the header to the desired location on the frame. Using the same measurement, mark the distance from the header to the desired location on the door. This will be your vertical location.
- fig. 2- Measure and mark to the center of the door for your horizontal location (this makes the center point for your door prep). Take the center door measurement and mark the frame accordingly. If pull side of the door is not flush with the face of the frame, be sure to add any difference from face of frame to face of door, if any, when marking the reference point on your frame. (see fig. 2a)
- fig. 3- Drill a 5/8" hole in both the door and frame sides. For the CDL to conceal properly, there must be 6" of total space between both door and frame side access points.  
Insert one end of the CDL in the door and mark the screw holes at the 3 and 9 o'clock positions.  
Insert one end of the CDL in the frame and mark the screw holes at the 6 and 12 o'clock positions.  
Use a #43 (approx 3/32") drill bit and pilot out all four screw holes.

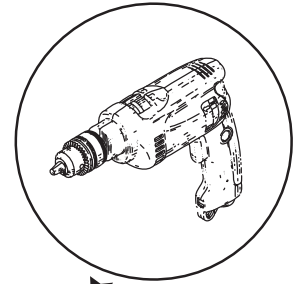
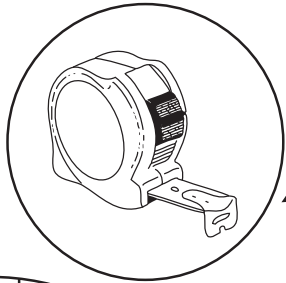
#### Installation:

- fig. 4- Insert the cable through the CDL and make any required wire terminations.  
Install the door side of the CDL using the proper type of screws provided (leave appropriate slack).  
Install the frame side of the CDL using the proper type of screws provided (leave appropriate slack).  
Carefully open & close the door to verify proper alignment and function of the CDL.

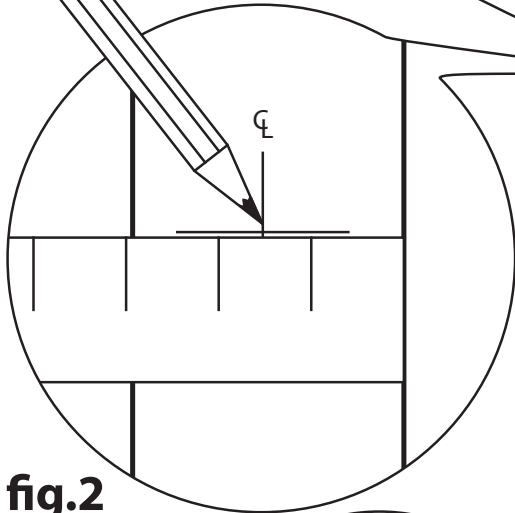
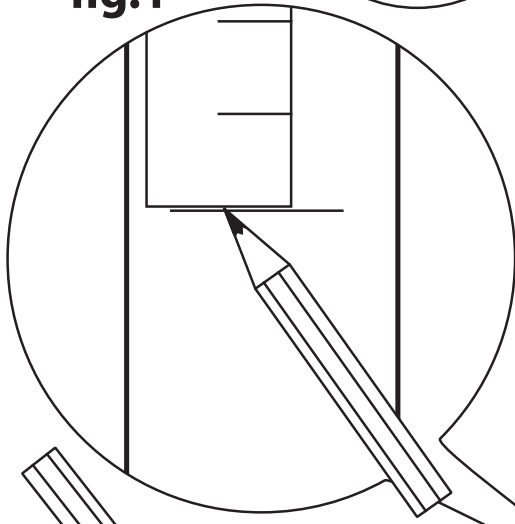
*For 3/4" Offset Pivot installation, see CDL for 3/4" Offset Pivots Installation Instructions.*

DIAGRAM FOR VISUAL REFERENCE ONLY - NOT DRAWN TO SCALE

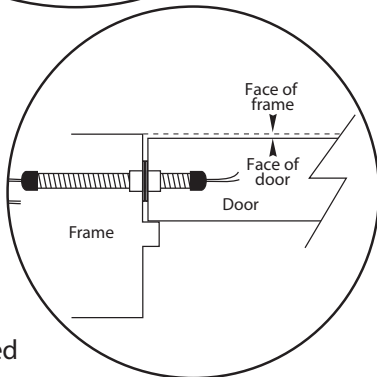
Door Side    Frame Side



**fig.1**

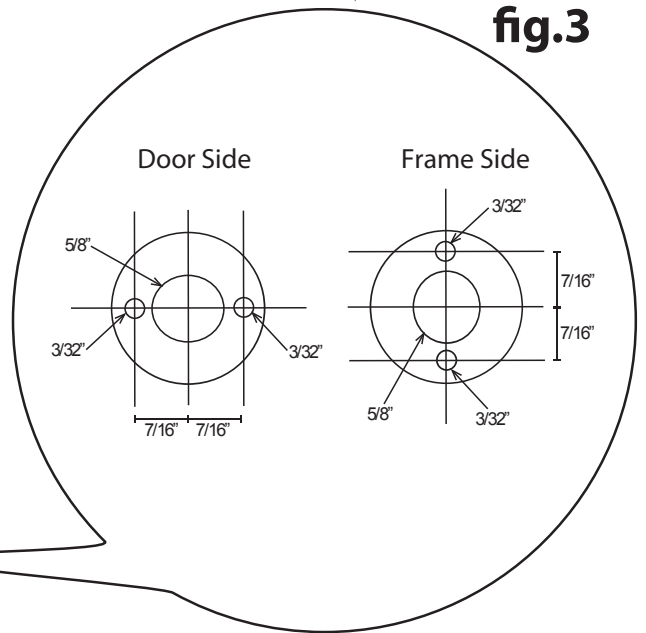
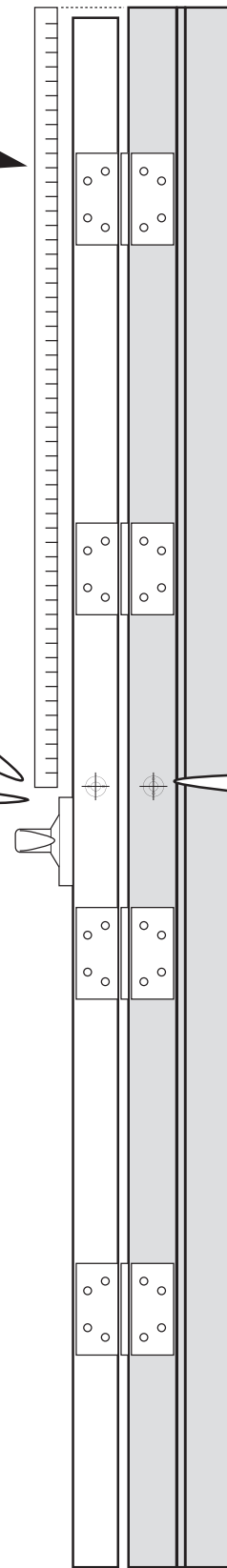


**fig.2**

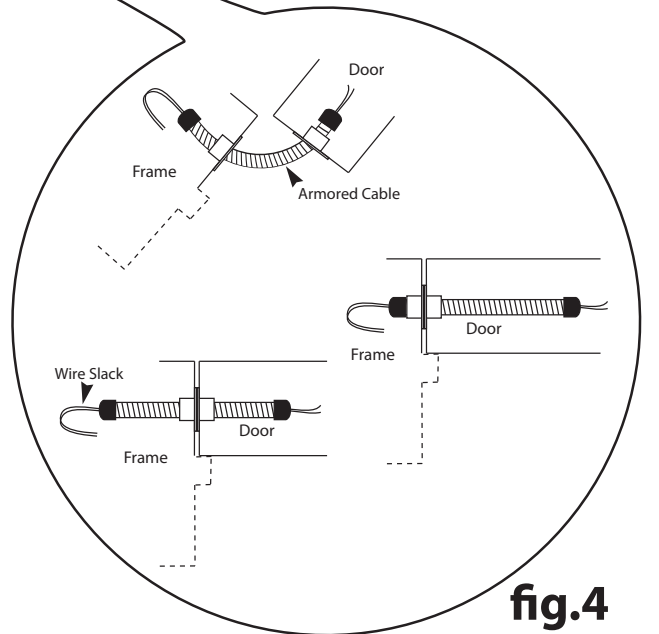


**fig.2a**

Top View  
Door Closed



**fig.3**



**fig.4**

For 3/4" Offset Pivot installation, see CDL for 3/4" Offset Pivots Installation Instructions.