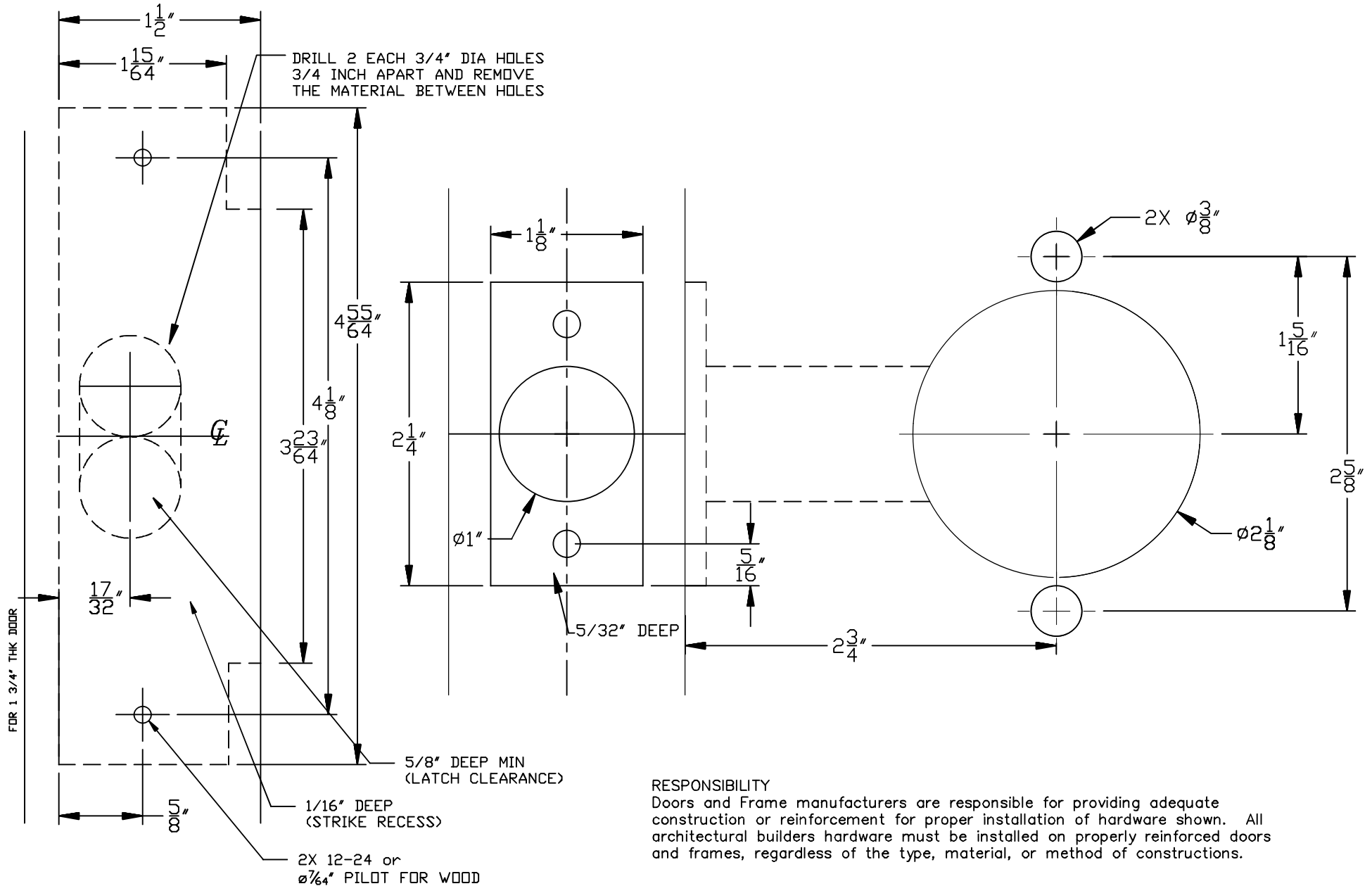


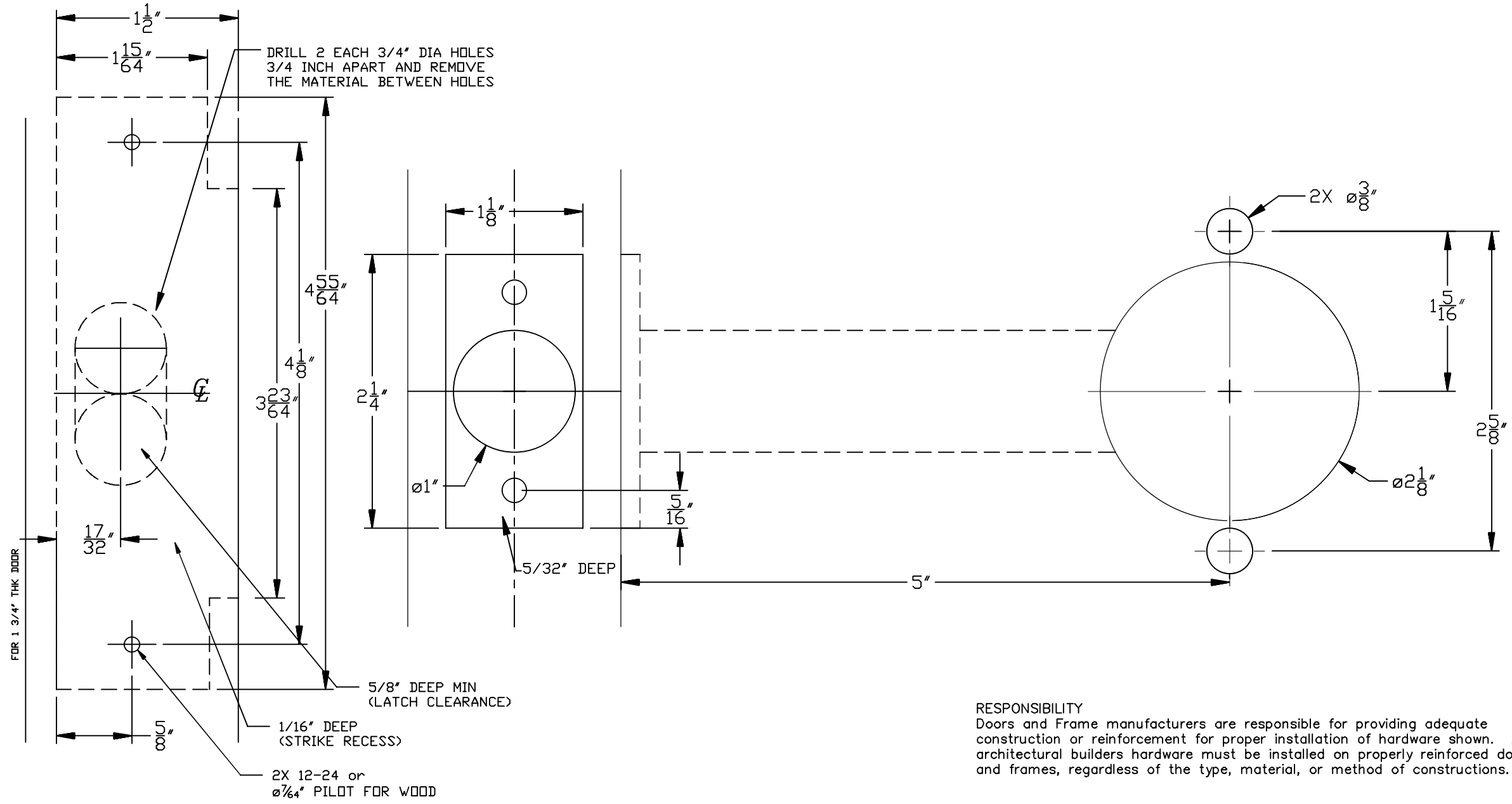
TEMPLATE FOR TOWNSTEEL CE & TRXL SERIES CYLINDRICAL LOCKS



RESPONSIBILITY

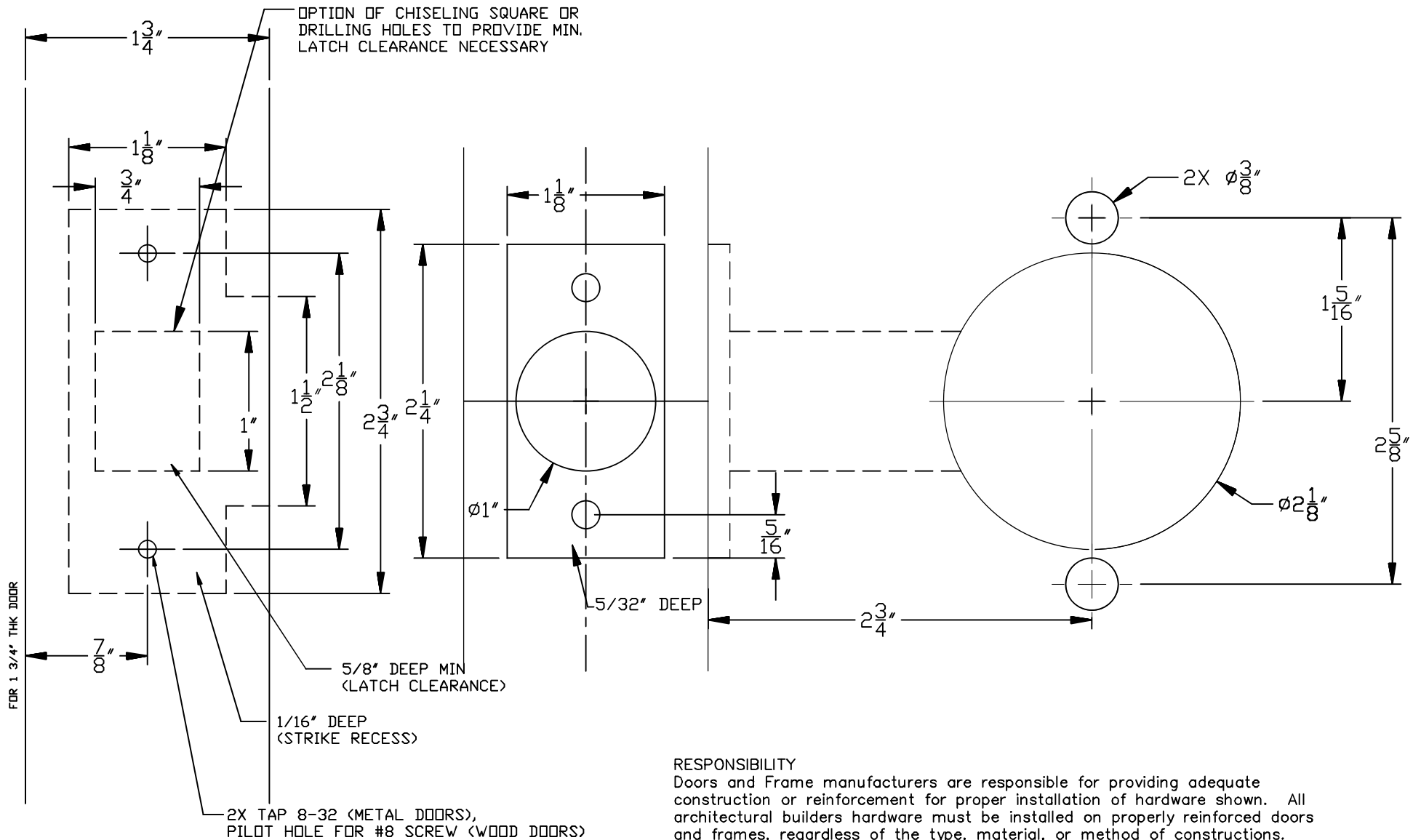
Doors and Frame manufacturers are responsible for providing adequate construction or reinforcement for proper installation of hardware shown. All architectural builders hardware must be installed on properly reinforced doors and frames, regardless of the type, material, or method of constructions.

TEMPLATE FOR TOWNSTEEL CE & TRXL SERIES CYLINDRICAL LOCKS



RESPONSIBILITY
Doors and Frame manufacturers are responsible for providing adequate construction or reinforcement for proper installation of hardware shown. All architectural builders hardware must be installed on properly reinforced doors and frames, regardless of the type, material, or method of constructions.

TEMPLATE FOR TOWNSTEEL CE & TRXL SERIES CYLINDRICAL LOCKS (WITH T-STRIKE)



RESPONSIBILITY

Doors and Frame manufacturers are responsible for providing adequate construction or reinforcement for proper installation of hardware shown. All architectural builders hardware must be installed on properly reinforced doors and frames, regardless of the type, material, or method of constructions.