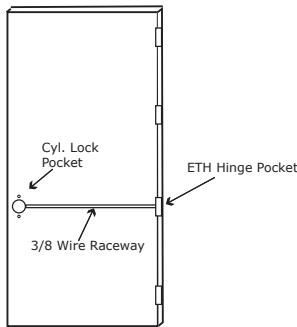


# Installation Instructions CL03EL/CL05EU

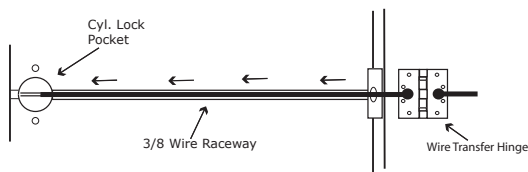


## Corbin Russwin Lock modified by Command Access Technologies

**STEP 1:** The door must be machined with a 3/8" wire raceway, cylindrical lock pocket & prepped for a energy transfer hinge. **Make sure the cylindrical pocket is free of debris.**

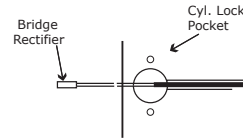


**STEP 2:** Run the wires from the ETH hinge through the 3/8" raceway starting at the ETH hinge & exiting into the lock pocket.

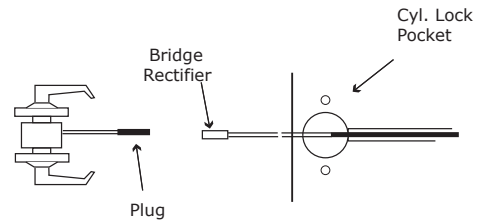


**STEP 3:** Screw the ETH hinge to the door. At this time **DO NOT** connect the hinge wires on the jamb side to the wires coming from the power supply.

**STEP 4:** Connect the wires exiting the lock pocket to the Bridge Rectifier (included).



**STEP 5:** Connect the Bridge Rectifier to the plug exiting the cylindrical chassis.



**STEP 6:** Carefully slip the connected cylindrical lock chassis into the lock pocket paying close attention not to pinch any wires.

**STEP 7:** Mount the cylindrical lock per manufacturer's instructions.

**STEP 8:** Connect the wires from the power supply at the ETH hinge on the jamb side. Connect the hinge to the jamb.

### LEGEND OF TERMS

**EU:** (Fail Secure) When power is applied, the outside trim will unlock. When power is removed, the outside trim is locked.

**EL:** (Fail Safe) When power is applied, the outside trim will lock. When power is removed, the outside trim is unlocked.

**REX:** (Request to Exit Switch) Monitors the inside handle.

### ELECTRICAL SPECIFICATIONS

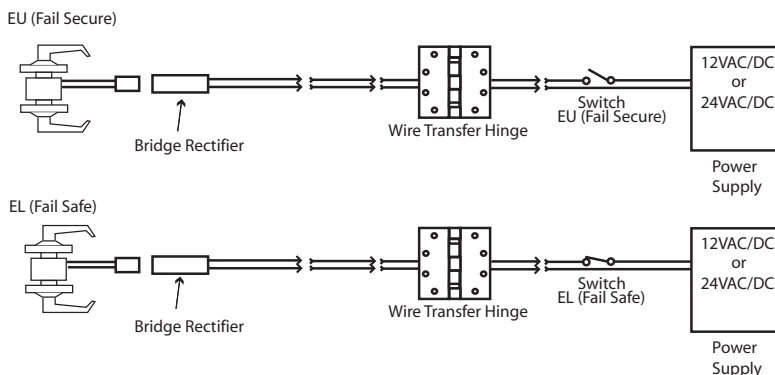
#### SOLENOIDS:

VOLTS	CURRENT	COIL RESISTANCE
24VAC/DC	150mA	159 Ohms +/- 10%
12VAC/DC	250mA	38 Ohms +/- 10%

**SWITCHES:** .25A 24VAC/DC

**REX:** White - Common (C)  
Blue - Normally Open (NO)  
Gray - Normally Closed (NC)

**SEE BACK FOR REX TEMPLATE**



**Template for Corbin Russwin CL03EL/CL05EU Cylindrical Locks**

