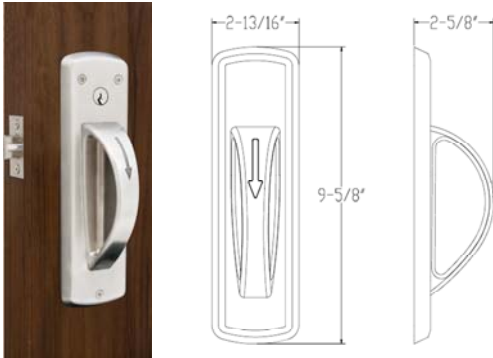


CRXA-Heavy Duty Ligature Resistant Cylindrical



- Available functions: F-75, 76, 84, 86, Single Dummy (F-41), Pair Dummy(F-72)
- Door Prep: 161 plus 2-1/8" cylinder hole and 1/2" bottom post hole
- 10-year manufacturer's limited warranty

Specification

- ANSI Grade 1 heavy duty cylindrical with 5-point ligature resistant arch trim
- Backset 2-3/4" standard, 5" optional
- Door thickness: 1-3/4", other upon request
- Stainless steel arch trim, 2-5/8" projection
- Stainless steel plate, 9-5/8" x 2-13/16"
- Stainless steel deadlocking latch bolt, 1/2" throw
- Stainless steel ASA strike standard
- Tamper resistant mounting screws
- Handed, specify handing
- Cylinder:
 - Schlage® "C" keyway, brass 6 pin cylinder standard
 - Best® Small Format I.C. available, 6 or 7 Pin, with or without core.
 - Schlage® Large Format I.C. less core available
 - Corbin® Large Format I.C. less core available
 - High security cylinder available, TownSteel "L" keyway, 6 pin
- Keying: KD standard, KA, MK, GMK, GGMK and construction keying available

Code Compliance

- ANSI/BHMA A156.2-2011 Grade 1 certified
- UL 10C Listed 3-Hour Fire Rating
- Meets guidelines of The Americans with Disabilities Act
- Meets requirements of The Buy American Act
- OMH of New York State Approved

Available Function

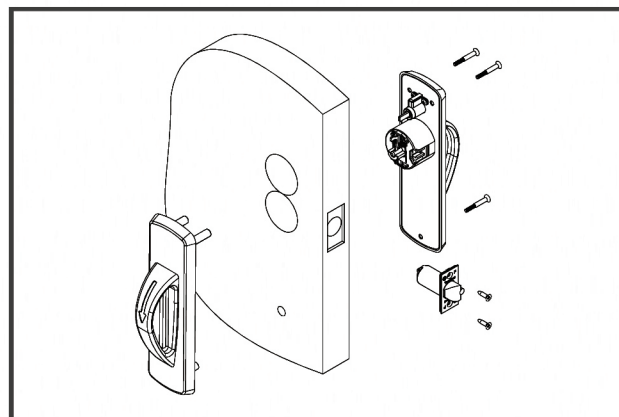
ANSI CODE	DESCRIPTION
F-75	Passage
F-76	Privacy
F-84	Classroom
F-86	Storeroom
F-41	Single Dummy
F-72	Pair Dummy

Important Note:

It is TownSteel's position that if any of our keyed locks are to be used less cylinder, whether I.C. or standard, and another manufacturer's cylinder is to be used in place of the TownSteel original manufacturer's cylinder, that a sample of that product be provided to TownSteel in advance for testing.



CRX-A ANSI Grade 1 Cylindrical Lock with Ligature Resistant Trim-Arch



Specification

- ANSI Grade 1 heavy duty cylindrical with 5-point ligature resistant arch trim
- Backset 2-3/4" standard, 5" optional
- Door thickness: 1-3/4"-2", other upon request
- Stainless steel arch trim, 2-5/8" projection
- Stainless steel plate, 9-5/8" x 2-13/16"
- Stainless steel deadlocking latch bolt, 1/2" throw
- Stainless steel ASA strike standard
- Tamper resistant mounting screws
- Handed
- Schlage "C" keyway, brass 6 pin cylinder standard
- Best® Small Format I.C. available, 6 or 7 Pin, with or without core
- Schlage® Large Format I.C. less core available
- Corbin® Large Format I.C. less core available
- High security cylinder available, TownSteel "L" keyway, 6 pin
- KD standard, KA, MK, GMK, GGMK and construction keying available
- Available functions: F-75, 76, 84, 86, Single Dummy (F-41), Pair Dummy (F-72)
- Door Prep: 161 plus 2-1/8" cylinder hole and 1/2" bottom post hole
- 10-year Manufacturer's Limited Warranty

Code Compliance

OMH Accepted by New York State Office of Mental Health Patient Safety Standard

ANSI/BHMA Complies with ANSI/BHMA A156.2-2011 Grade 1

UL/ULC UL 10C Listed 3-Hour Fire Rating

ADA Meets guidelines of The Americans with Disabilities Act

BAA Meets requirements of The Buy American Act



How To Order

Series	CRX-A: Heavy Duty Ligature Resistant Cylindrical
Function	ANSI F-75, 76, 84, 86, 41, 72
Handing	LH, RH, LHR, RHR
Cylinder/Keying	Specify when ordering

Example

CRX-A-75-LH

1. **CRX-A: Heavy Duty Ligature Resistant Cylindrical**

2. **75: F-75 Passage**

3. **LH: Left Handed**

Important Note:

It is TownSteel's position that if any of our keyed locks are to be used less cylinder, whether I.C. or standard, and another manufacturer's cylinder is to be used in place of the TownSteel original manufacturer's cylinder, that a sample of that product be provided to TownSteel in advance for testing.