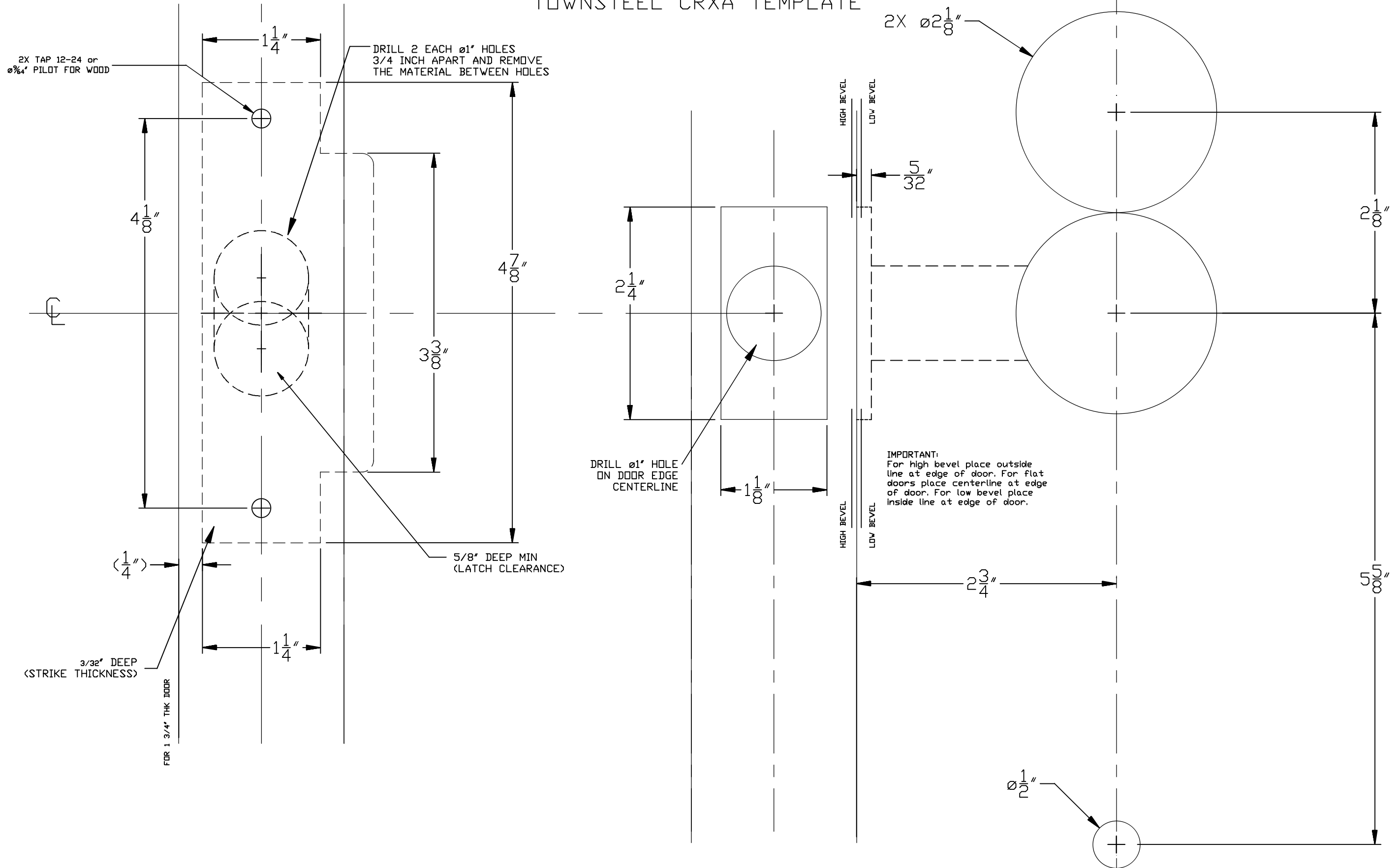


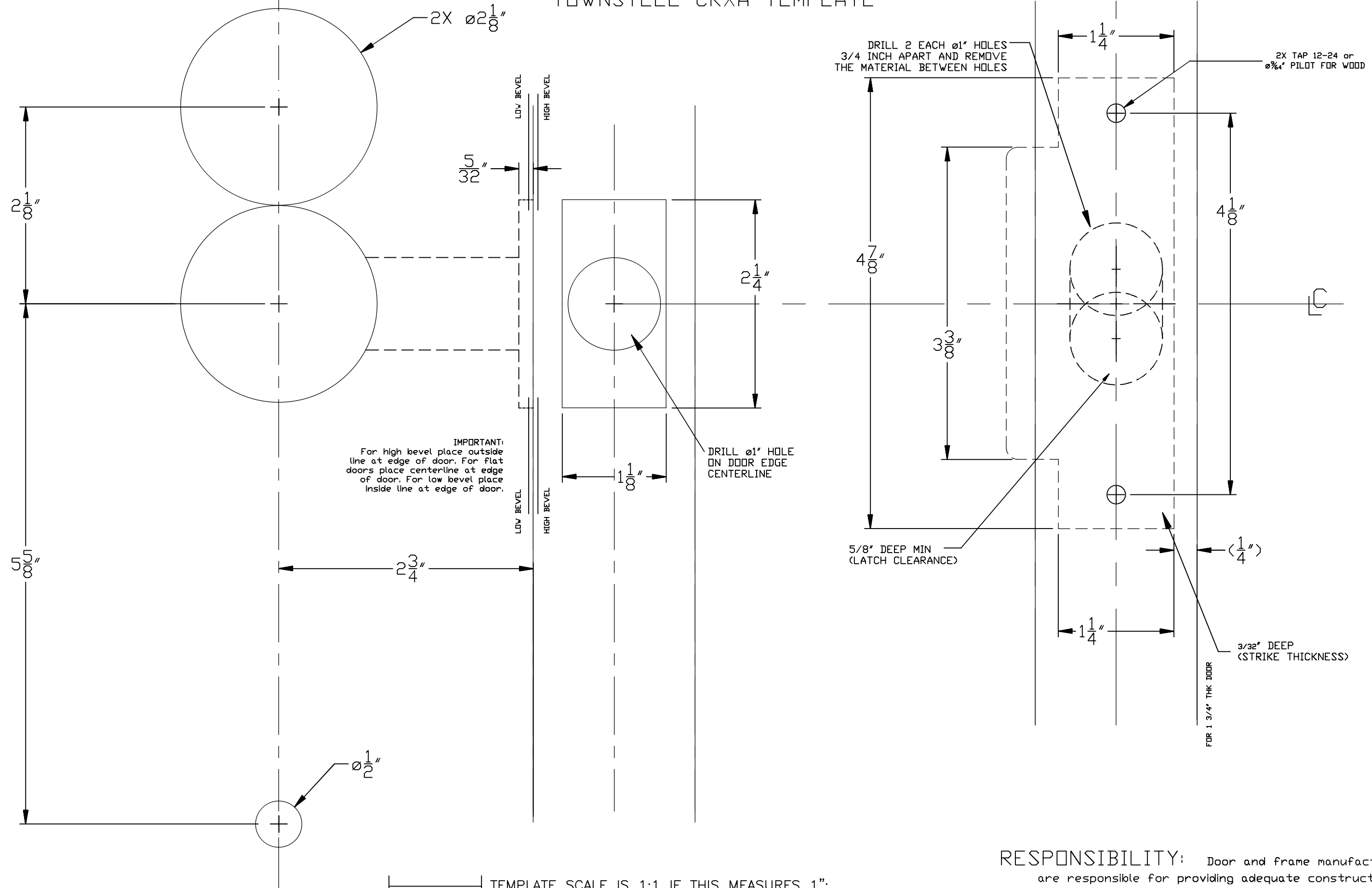
# TOWNSTEEL CRXA TEMPLATE



**RESPONSIBILITY:** Door and frame manufacturers are responsible for providing adequate construction or reinforcements for proper installation of hardware.

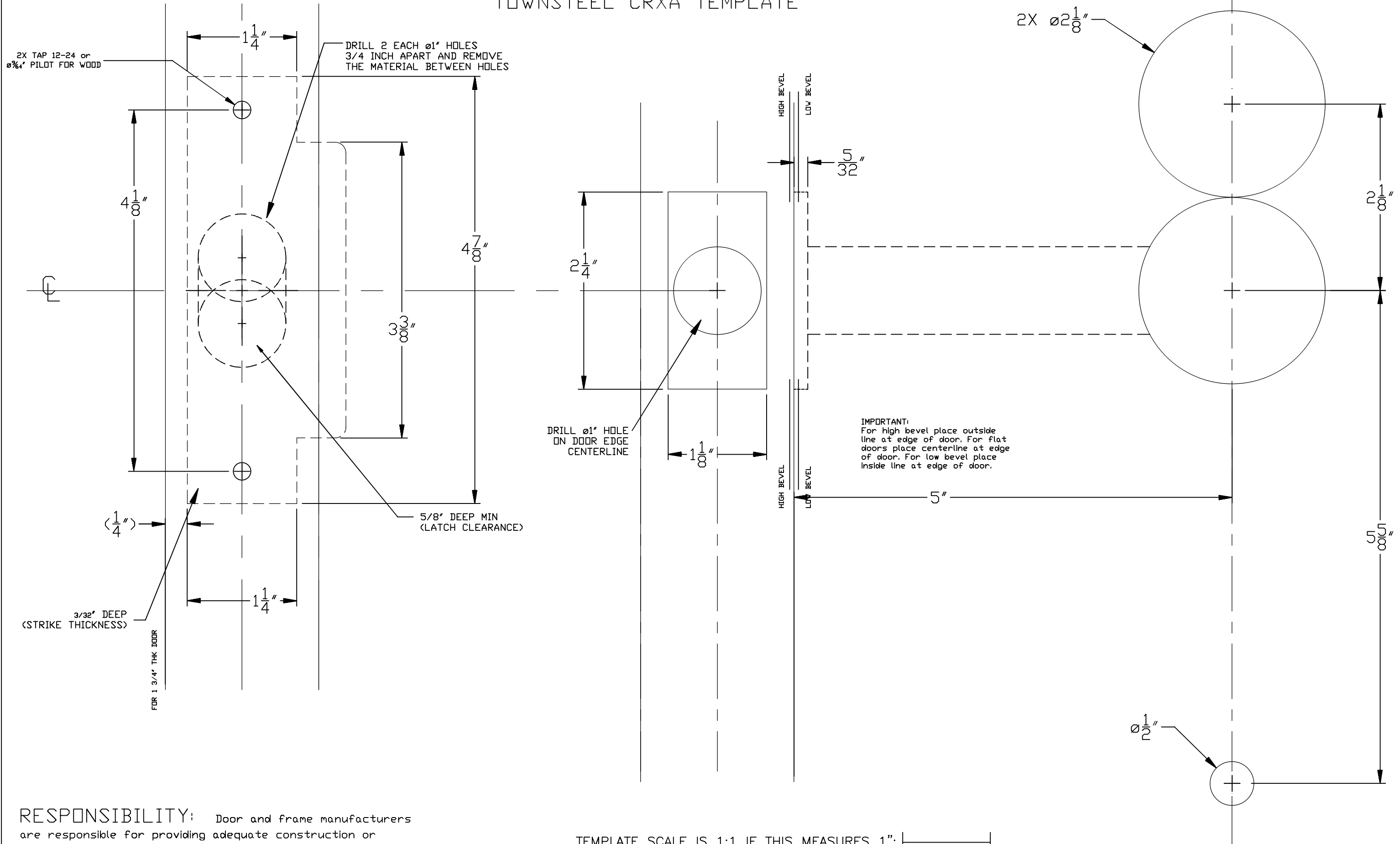
TEMPLATE SCALE IS 1:1 IF THIS MEASURES 1":

# TOWNSTEEL CRXA TEMPLATE



**RESPONSIBILITY:** Door and frame manufacturers are responsible for providing adequate construction or reinforcements for proper installation of hardware.

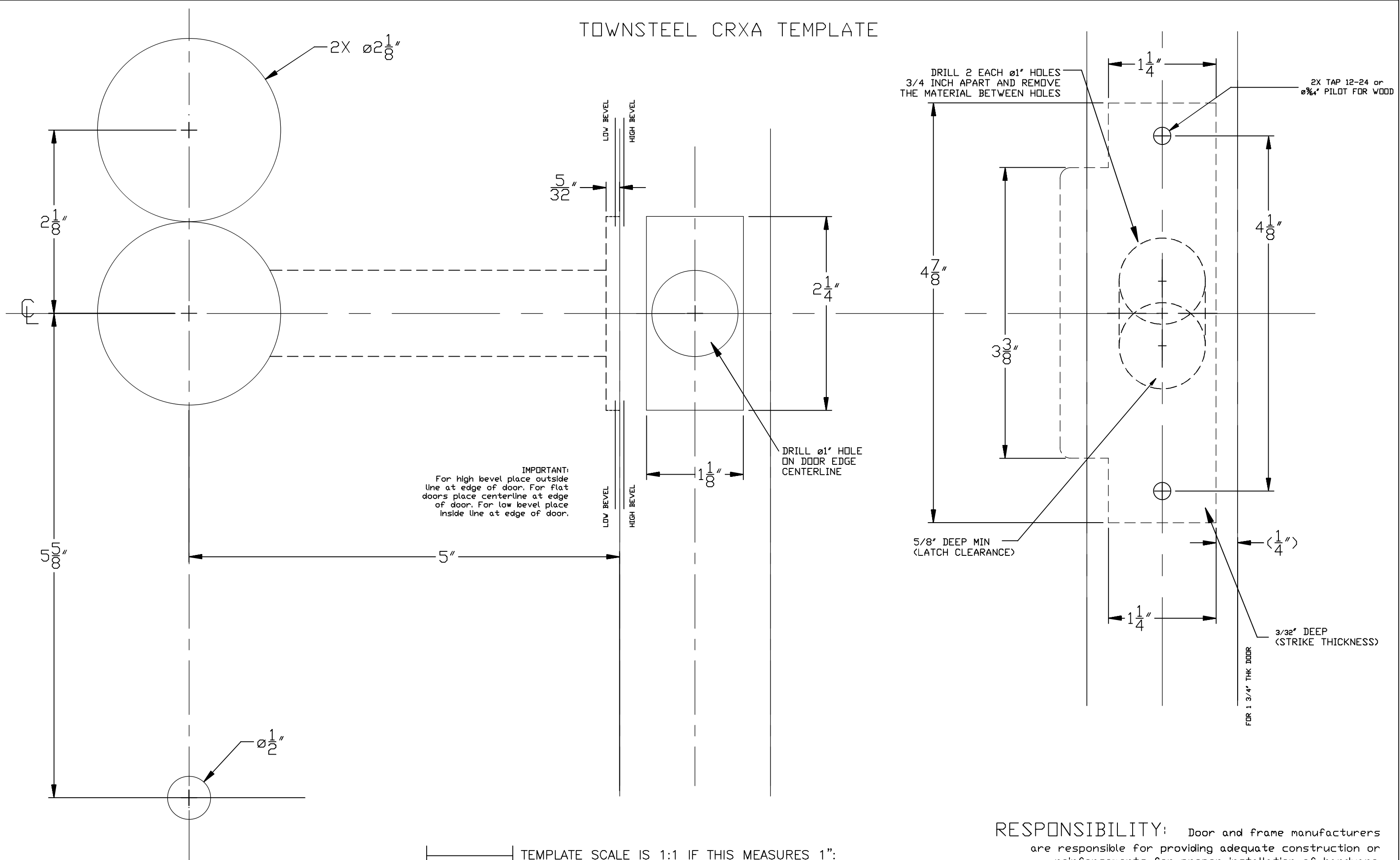
# TOWNSTEEL CRXA TEMPLATE



**RESPONSIBILITY:** Door and frame manufacturers are responsible for providing adequate construction or reinforcements for proper installation of hardware.

TEMPLATE SCALE IS 1:1 IF THIS MEASURES 1":

# TOWNSTEEL CRXA TEMPLATE



**RESPONSIBILITY:** Door and frame manufacturers are responsible for providing adequate construction or reinforcements for proper installation of hardware.