

CRXK-Heavy Duty Ligature Resistant Cylindrical



CRXK-76 (OUSIDE)

Specification

- ANSI Grade 1 heavy duty cylindrical with ligature resistant knob trim
- Backset 2-3/4" standard, 2-3/8", 3-3/4", and 5" optional
- Door thickness: 1-3/4"-2"
- Stainless steel knob trim, easily grip
- Stainless steel deadlocking latch bolt, 1/2" throw
- Stainless steel ASA strike standard
- Tamper resistant mounting screws
- Non-handed
- Schlage "C" keyway, brass 6pin cylinder
- High security cylinder available, TownSteel "L" keyway, 6pin
- KD, KA, MK, GMK, GGMK and construction keying available
- Available functions: F-75, 76, 81, 84, 86, 87
- 10-year Manufacturer's Limited Warranty

Code Compliance

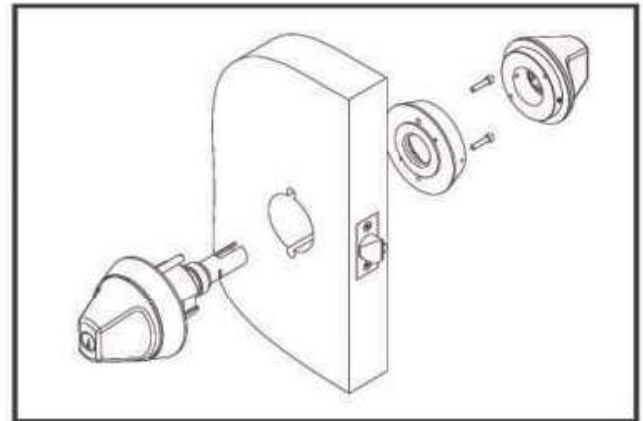
- ANSI/BHMA Certified A156.2 Grade 1 Certified
- UL 10C Listed 3-Hour Fire Rating
- Meets requirements of The Buy American Act

Important Note:

It is TownSteel's position that if any of our keyed locks are to be used less cylinder, whether I.C. or standard, and another manufacturer's cylinder is to be used in place of the TownSteel original manufacturer's cylinder, that a sample of that product be provided to TownSteel in advance for testing.



CRX-K ANSI Grade 1 Cylindrical Lock with Ligature Resistant Trim-Knob



All locks provided are non-handed and 3 hour UL fire listed. The latch and dead latch are sintered stainless steel. The lock chassis is heavy duty wrought steel construction. Springs are tensioned for knob use and provide long life and smooth operation. Knobs are of stainless steel construction. Locks meet all requirements for ANSI grade 1 series 4000 locks. Locks fit into a standard ANSI 161 door preparation. 32D Finish. Schlage C keyway, standard



Important Note:

It is TownSteel's position that if any of our keyed locks are to be used less cylinder, whether I.C. or standard, and another manufacturer's cylinder is to be used in place of the TownSteel original manufacturer's cylinder, that a sample of that product be provided to TownSteel in advance for testing.

How To Order	
Trim	CRX-K Ligature Resistant Knob Grade 1 Cylindrical Lock
Function	Please Refer to Function Sheet
Example	CRX-K-84
1. Ligature Resistant Knob Cylindrical	_____
2. Function	_____

