

INSTALLATION GUIDE

1. PREPARE DOOR ACCORDING TO TEMPLATE.
2. INSTALL LATCH AND SCREW TO DOOR (LEFT HAND MOUNTING SHOWN).
3. INSTALL OUTSIDE KNOB ASSEMBLY (FACTORY SET FOR 1 3/4" THK DOORS), ALIGN AS SHOWN IN EXPLODED VIEW.
4. INSTALL INSIDE PLATE AND ALIGN AS SHOWN IN EXPLODED VIEW.
5. SECURE WITH 2 MOUNTING SCREWS FROM THE INSIDE.
6. INSTALL INSIDE KNOB- SEE FIG 1 & FIG 2.
7. CHECK LOCK FOR CORRECT OPERATION BEFORE CLOSING THE DOOR.

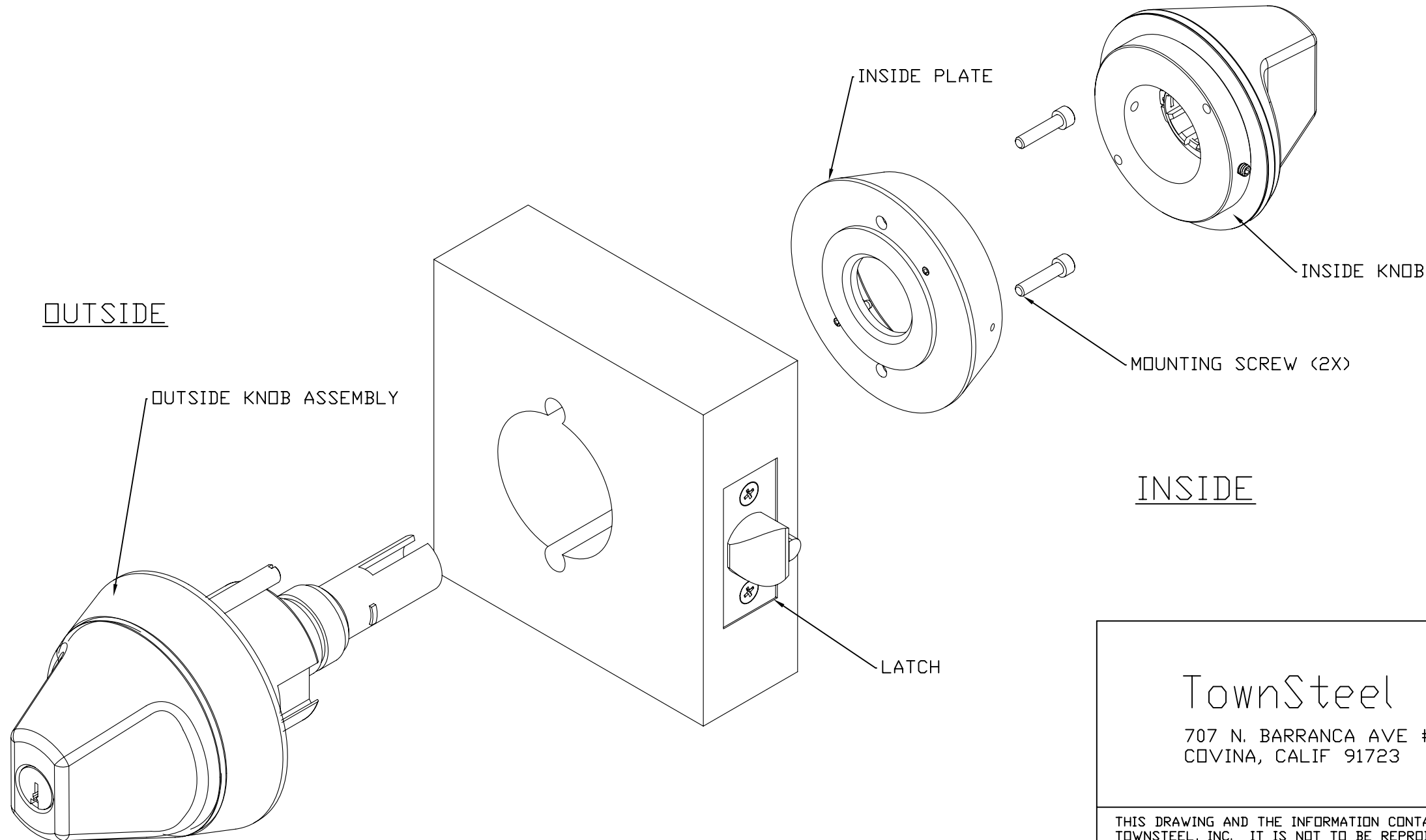


FIG 1 ALIGNING INNER KNOB & INSIDE PLATE

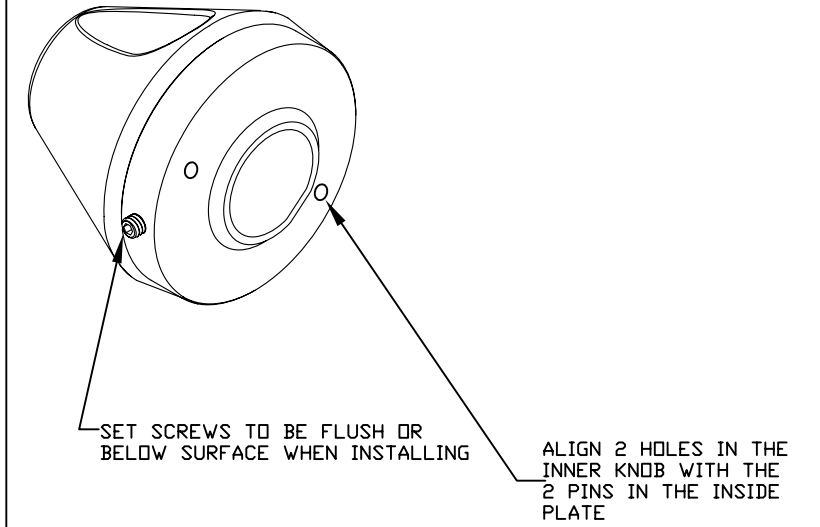
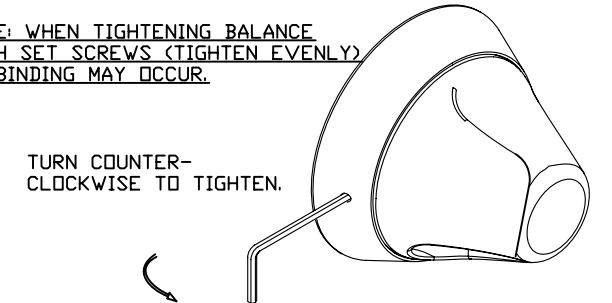


FIG 2 SECURING INNER KNOB

AFTER ALIGNING THE INSIDE KNOB WITH THE INSIDE PLATE, PLACE A 5/64" ALLEN WRENCH (PROVIDED) IN THE SET SCREW THROUGH THE HOLE IN THE INSIDE PLATE AND SECURE INSIDE KNOB BY TURNING COUNTER-CLOCKWISE (TO REMOVE ROTATE CLOCKWISE).

NOTE: WHEN TIGHTENING BALANCE BOTH SET SCREWS (TIGHTEN EVENLY) OR BINDING MAY OCCUR.



DRAFT UNLESS OTHERWISE SPECIFIED: 1° MAX DRAWN BY: SC DATE: 2/2/10	B	TOLERANCES UNLESS OTHERWISE SPECIFIED: X.X (METRIC) = ±0.4 X.XX (METRIC) = ±0.15 FRACTIONS = ±.8 ANGLES = ±1/2° .12 MACHINED SURFACES 125/ THIRD ANGLE	MATERIAL: NOTED
			HEAT TREAT: NA
			TITLE: CRXK HOSPITAL KNOB ASSY INSTRUCTIONS
TownSteel 707 N. BARRANCA AVE #6 COVINA, CALIF 91723			PART#: CRXK

THIS DRAWING AND THE INFORMATION CONTAINED THEREON OR DERIVED THEREFROM ARE THE CONFIDENTIAL PROPERTY OF TOWNSTEEL, INC. IT IS NOT TO BE REPRODUCED, OR DISCLOSED TO OTHERS, AND MAY BE USED ONLY FOR THE PURPOSE OF ENABLING THE PARTY TO WHOM IT HAS BEEN LOANED TO QUOTE ON OR FILL AN ORDER FOR TOWNSTEEL, INC., OR AS MAY BE OTHERWISE AUTHORIZED BY TOWNSTEEL, INC. IN WRITING.