

CX-DESPK Remote Speaker Station

INSTALLATION INSTRUCTIONS

THIS PACKAGE INCLUDES:

- (1) Foam Gasket
- (2) #6-32 1" SS FLT HD screws
- (2) #6-32 Tamperproof screws
- (1) Tamper proof driver

1. GENERAL DESCRIPTION

CAMDEN DOOR CONTROLS CX-DESPK Speaker station is designed for industrial and commercial applications, where both audio and visual indication is required. The RGB LED is capable of visually displaying three distinct colors for designated states: red, green, and yellow. The 8-ohm speaker can provide audio messages remotely. The faceplate is Stainless Steel with a 1-3/8" Square Lens. This unit requires 12/24V AC/DC to operate.

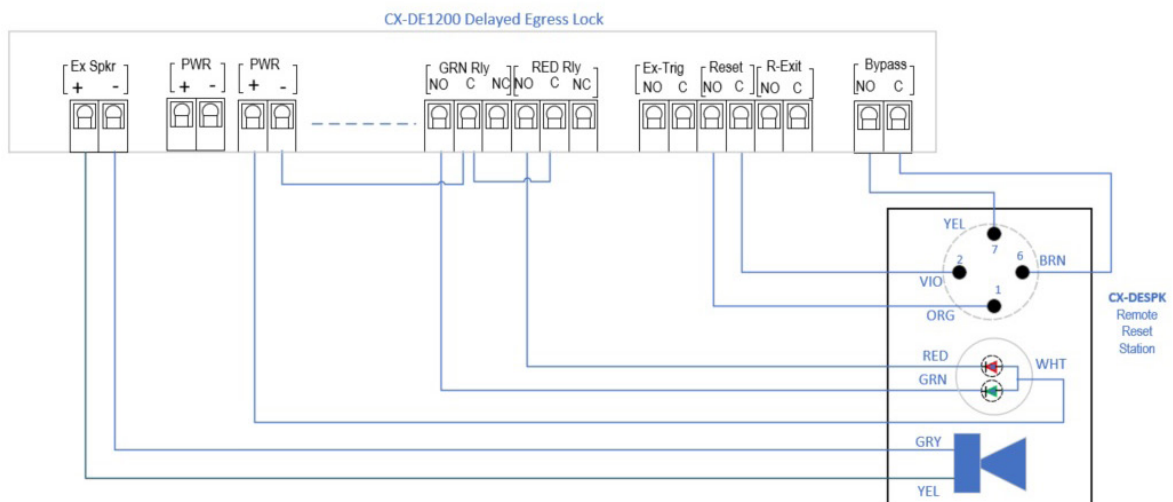
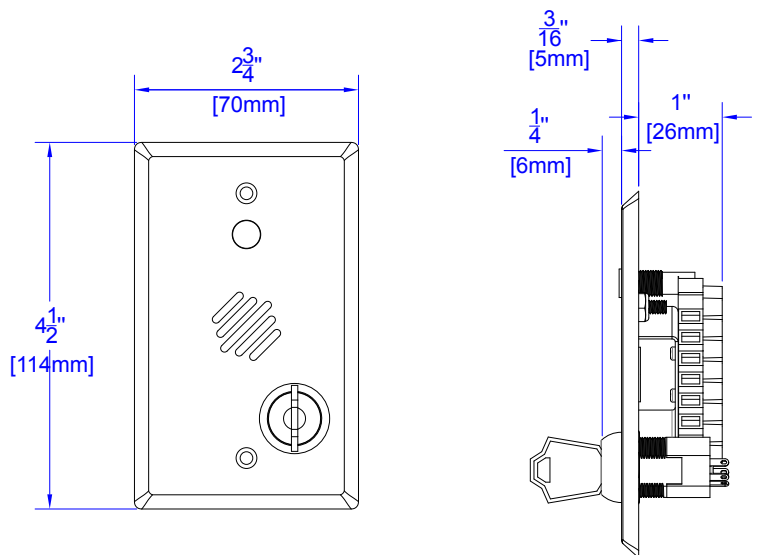
2. APPLICATION

Camden remote speaker station is ideal for applications that require a visual and audio capabilities such as a remote speaker station for delayed egress locks, emergency call or intercom systems. It can be surface or flush mounted. Camden remote speaker station is designed to be wired to delayed egress maglocks, emergency call systems and other low voltage systems.

3. WIRING

Device	Wire Color	Connection
RGB LED	Red	+ 12 VDC
	Green	+12 VDC
	Black	Negative
Speaker	Red	+ audio
	Black	- audio
Key Switch	Yellow	Normally Open
	White	Common
	Blue	Normally Closed

4. FRONT AND SIDE VIEW - CX-DESPK

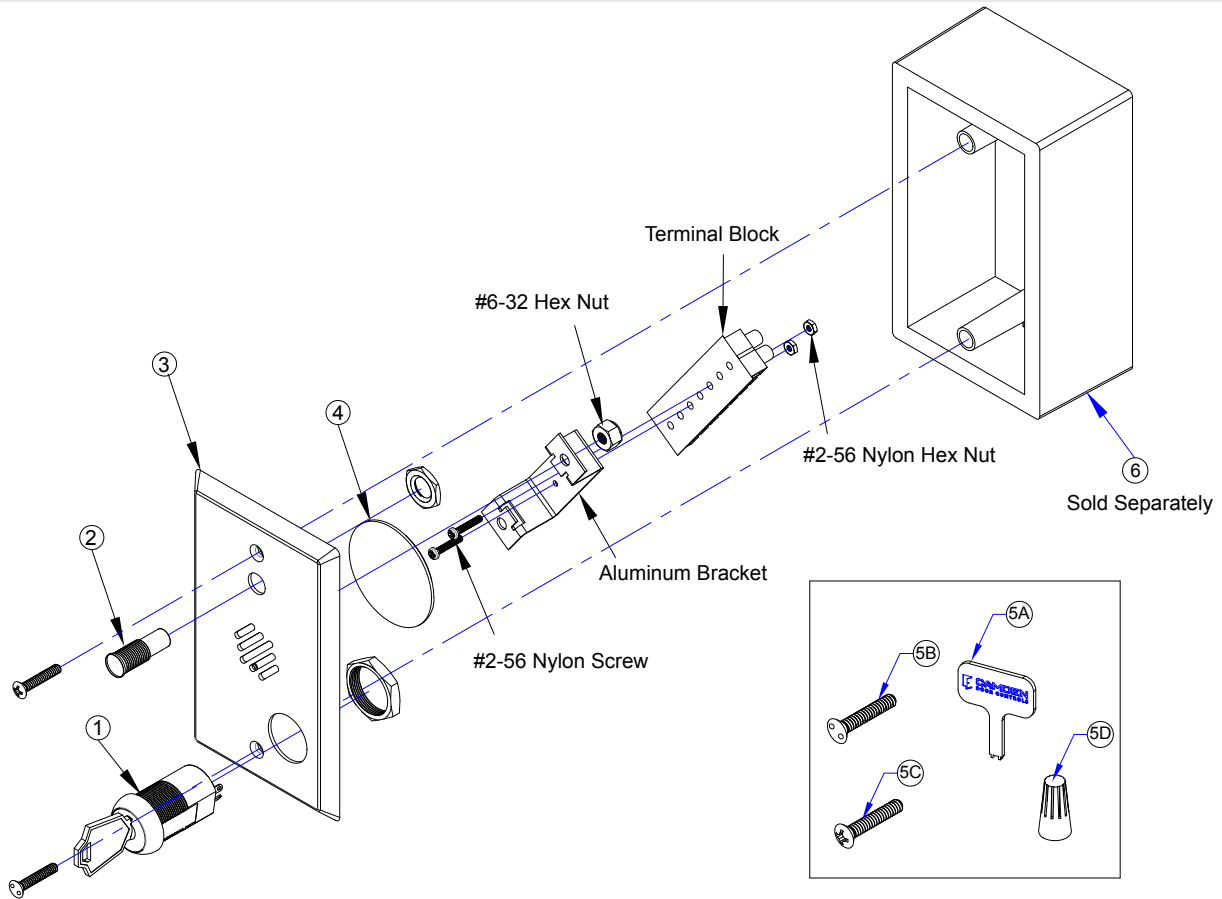


CX-DESPK REMOTE SPEAKER STATION

INSTALLATION INSTRUCTIONS

CX-DESPK is supplied with a stainless-steel faceplate that can be easily mounted to a single gang electrical box. Only 9/18" depth is required!

5. PARTS INFORMATION



MODEL NUMBERS

ITEM NUMBER	MODEL NUMBER	QTY	DESCRIPTION
1	60-68G005	1	RESET KEY SWITCH
2	60-73C019	1	12 VOLT TRI COLOR LED
3	60-49H037	1	STAINLESS STEEL SINGLE GANG FACEPLATE
4	60-64B000	1	8-OHM, 1.5 WATTS SPEAKER

PARTS KIT

ITEM NUMBER	PART NUMBER	QTY	DESCRIPTION
5.	60-34B074	1	(A) KEY FOR TAMPER PROOF SCREWS (SNAKE EYE) W/CAMDEN LOGO (B) SNAKE EYE TAMPER PROOF SCREW 6-32 X 3/4" (C) 6-32 X 3/4 PHIL OVAL HD S/S SCREW (D) GREY PLASTIC WIRE NUT C/W SPRING

COMPATIBLE MOUNTING BOXES

ITEM NUMBER	PART NUMBER	DESCRIPTION
6.	CM-34D	SURFACE MOUNT BOX WITH EXTRA DEPTH HEAVY DUTY GREY POLYMER 4 1/2"H X 2 3/4"W X 1 3/4"D [114MM X 70MM X 44MM]
	CM-34BL	SINGLE GANG BLACK ABS BOX, SURFACE MOUNT 4 5/8"H X 2 7/8" W X 1 3/4"D (117MM X 73MM X 44MM)
	CM-34AL	SURFACE MOUNT BOX WITH STANDARD DEPTH AND THREADED CONDUIT ENTRY. HEAVY DUTY CAST ALUMI- NUM 2-3/4"H X 4-1/2"W X 1-3/4"D [70MM X 144MM X 44MM]