

# CX-DESPK15 External 15 W Speaker Station

## INSTALLATION INSTRUCTIONS

### THIS PACKAGE INCLUDES:

- (2) #6-3/8 screws
- (1) Red / Green / Blue Aura PCB
- (2) #6-32 1" SS FLT HD screws
- (1) preamp PCB

## 1. GENERAL DESCRIPTION

CAMDEN DOOR CONTROLS CX-DESPK15 15-watt speaker station is designed for industrial and commercial applications, where both audio and visual indication is required. The station has an optional Aura™ feature to visually display three distinct colors for designated states: red, green, and yellow. The 15-watt speaker can provide audio messages where ambient noise may be present.

The faceplate is Stainless Steel with a Aura™ ring lens. This unit requires 12DC to operate.

### Optional Aura™ PCB added:

Camden Aura™ PCB provides an added benefit of an illuminated enclosure. It offers field selectable red/green/blue illumination, activated directly by the switch or remotely by a relay\* such as our CX-33 or EMF-2, a time-clock or access control system. User selectable features include a 3 Amp Form 'C' relay, and piezo for audible annunciation, as well as control over the idle and active LED colors. Another exclusive is the ability to plug in a TX-9 RF transmitter, thereby requiring only 2 conductors be run for power (no batteries required). The box is made of impact and flame-resistant black ABS. The illumination is provided by an array of super-bright and energy efficient LED's, which can be powered by 12 or 24 volts AC/DC. Note: only 12 VDC is provided for the amplified 15 Watt speaker station.

## 2. APPLICATION

Camden remote speaker station is ideal for applications that require a visual and audio capabilities such as a remote speaker station for delayed egress locks, door chimes or paging systems. It can be surface or flush mounted. Camden remote speaker station is designed to be wired to delayed egress maglocks, door chimes and other low voltage systems

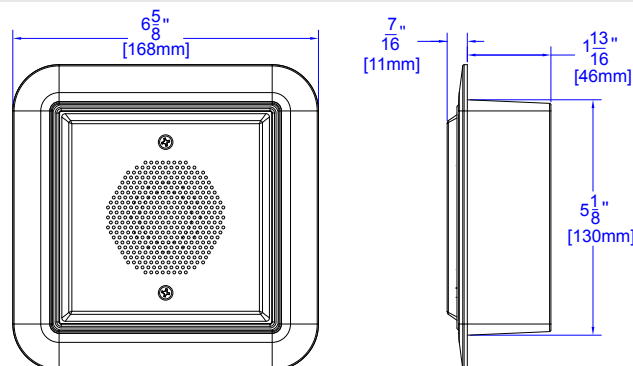
## 3. SPECIFICATIONS

Voltage	8 - 24 VDC, 5 mA
Maximum Audio	15 watt
Output impedance	8 ohms

### Aura™ PCB

Input Voltage	12 or 24V AC/DC
Output Voltage	3 Volts DC for TX-9 (only)
Current draw	250 mA @ 12 VDC / 110 mA @ 24VDC
Contact Rating	3A @ 30 VDC
Lumina Red	14.8 lumens, 1600 mW
Lumina Green	3.8 lumens, 330 mW
Sounder	3200 ± 300 Hz @ 85 dB
Relay Contact	1 x Form C

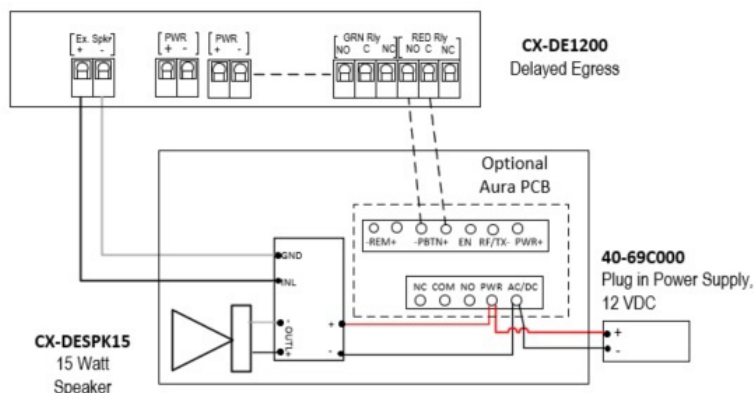
## 4. FRONT AND SIDE - CM-DE502SO



## 5. WIRING

Device	Wire Color	Connection
Speaker	White	+ audio
	Black	- audio
Amplifier		Normally Open
	White	Common

Device	Terminal	Connection
Aura	AC/DC	+ 12-24V AC or DC
	PWR	Common
	- PBTN	RED Rly C
	+ PBTN	RED Rly NO



# CX-DESPK15 EXTERNAL 15 W SPEAKER STATION

## INSTALLATION INSTRUCTIONS

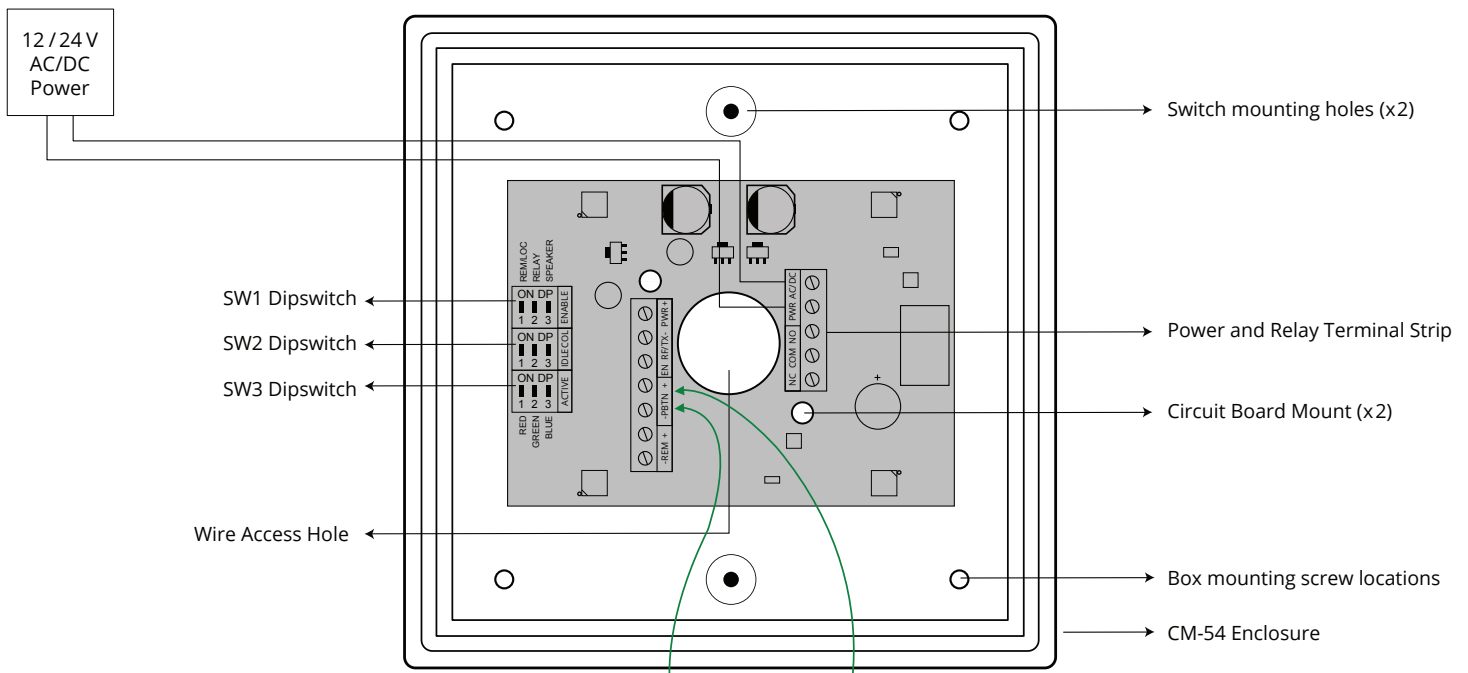
### 6. INSTALLATION

CX-DESPK15 uses a stainless-steel faceplate that can be easily mounted into Camden’s surface or flush enclosures. Only xxxx” depth is required!

NOTE: If you will be including the optional Aura™ signage, follow that product’s installation instructions before installing Aura™

1. Determine the wire access location and drill hole of sufficient size, or use center knock-out plug. Drill the four required mounting holes. (11/64” min.) There are four indents provided on 3” centers for your convenience. (See Diagram 1)
2. Pull wiring through access hole, and mount the box to wall using 4 screws.
3. Remove circuit board from package and locate into the box. Pull the wire through the hole in centre of circuit board, and then secure with the two small self-tapping screws (provided).
4. Wire as per diagram (typical installation). Route the switch wiring through opaque diffuser panel, and install diffuser panel into box. It should fit snugly.
5. Screw in two #6-32 head screws (provided with switch) into the threaded center inserts, then attach wires to switch and install switch over screws. Locate the screws and tighten (by hand only).
6. Connect power and test for proper operation.

**CM-54i Wiring Diagram (Typical)**



### 7. SET-UP:

Switch SW1 contains a bank of 3 dipswitches.

Dipswitch # 3 for Piezo. Turn off for 15-watt audio application.

Dipswitch # 2 toggles operation of the relay

Dipswitch # 1 allows you to choose whether the color will be changed locally via the push switch or remotely.

Switch	Position	Description
SW1	1	REMOTE / LOCAL On to enable LED color change from idle to Active with press of the push button.
	2	RELAY On to enable operation of the relay with activation of the push button.
	3	Piezo Sounds On or OFF

Color selection is made with Switches SW2 and SW3. SW2 determines the Active color and SW3 determines the Idle color.

#### Setting the IDLE Color (SW2)

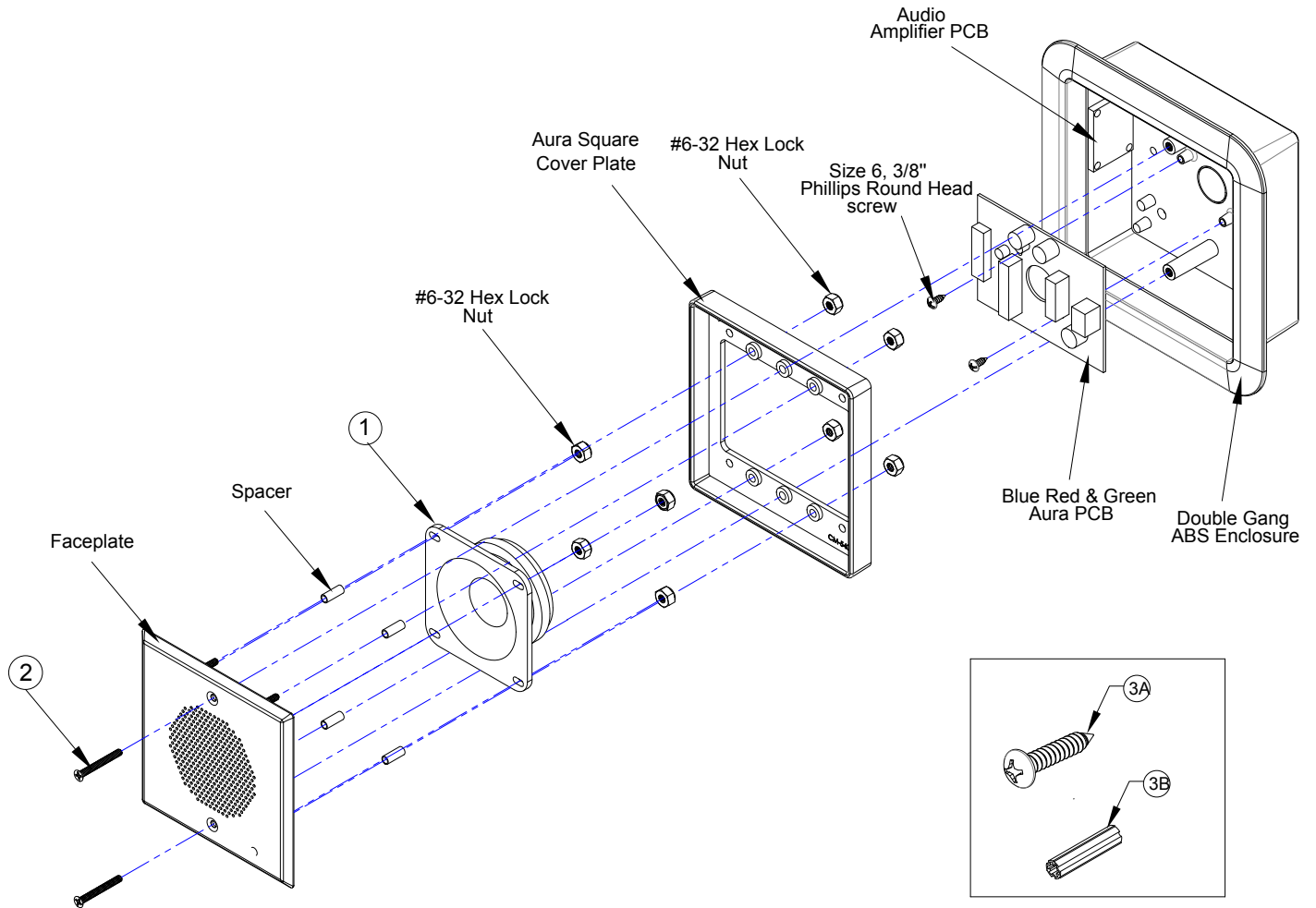
Switch	Position	Description
SW2	1	ON = Red LED when IDLE
	2	ON = Green LED when IDLE
	3	ON = Blue LED when IDLE

#### Setting the Active Color (SW3)

Switch	Position	Description
SW3	1	ON = Red LED when Active
	2	ON = Green LED when Active
	3	ON = Blue LED when Active

NOTE: If all DIP switches are in the OFF position, there will be no color illuminated. This allows for no Idle color or no Active color.

**8. PARTS INFORMATION**



MODEL NUMBERS			
ITEM NUMBER	MODEL NUMBER	QTY	DESCRIPTION
1	60-64B001	1	REMOTE 15-WATT SPEAKER
2	60-51C221E040	1	6-23 X 1/4" FLAT HEAD PHILLIPS SCREW
PARTS KIT			
ITEM NUMBER	PART NUMBER	QTY	DESCRIPTION
3.	60-34B018	1	(A) #10 X 1" PAN HEAD PHILLIPS WOOD SCREW (4 Pcs) (B) EXPANDET GREEN ANCHORS (4 Pcs)