

**CX-ED2079**  
**'Universal' Electric Strike**  
Installation Instructions

**This Package Includes:**

- |                                      |                         |
|--------------------------------------|-------------------------|
| 1- 4 PIN power connector             | 2- #10-32 x 1/2" screws |
| 1- ESP1B, ESP3B and ESP4B faceplates | 2- Mounting brackets    |
| 4- Wire nuts                         | 2- Spacers              |
| 5- M5 x 12mm screws                  | 1- Varistor             |
| 2- #10 x 1 1/4" wood screws          |                         |

**1. Description**

Camden CX-ED2079 low profile grade 2 ANSI strike for cylindrical locksets offers the very best strike quality and performance, with three stainless steel faceplates provided. The 'Universal' strike design delivers unparalleled application flexibility, with field selectable voltage, fail safe/fail secure operation and mechanical adjustment of the strike body.

**2. Specifications**

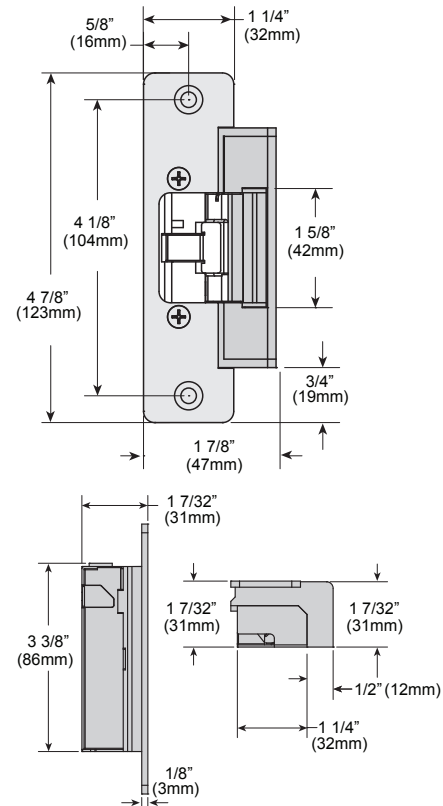
<b>Voltage</b>	12/24V AC/DC
<b>Current Draw</b>	300mA@12V DC 150mA@24V DC
<b>Static Strength</b>	1,000 Lbs.
<b>Dynamic Strength</b>	50 Ft-Lbs.
<b>Endurance</b>	700,000 Cycles (Factory Tested) 250,000 Cycles (UL Verified)
<b>Mode</b>	Field Selectable Fail Safe/Fail Secure
<b>Mech. Adjustment</b>	Strike Body/Faceplate
<b>Operation</b>	AC-Buzz DC-Silent
<b>Duty</b>	Continuous
<b>Dimensions (Body)</b>	3 3/8" H x 1 7/8" W x 1 7/32" D (86mm x 47mm x 31mm)



**UL 294 Performance Levels**

- Line Security = Level I
- Attack Level = Level I
- Endurance Level = Level IV
- Standby Power = Level I

**3. Dimensions**

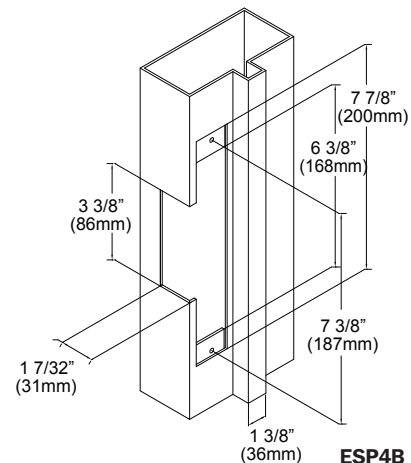
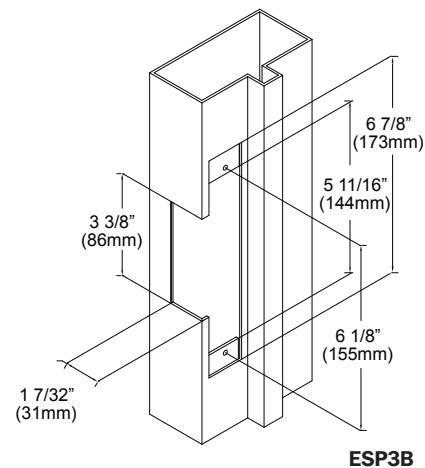
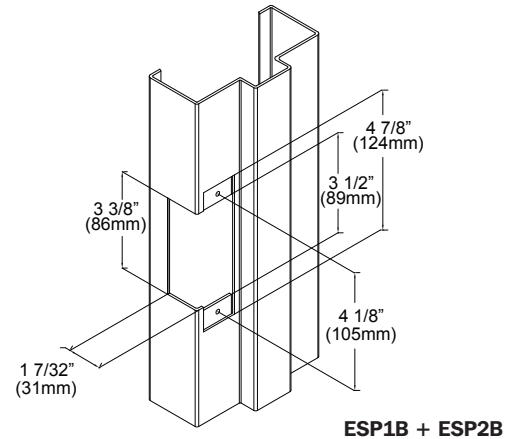
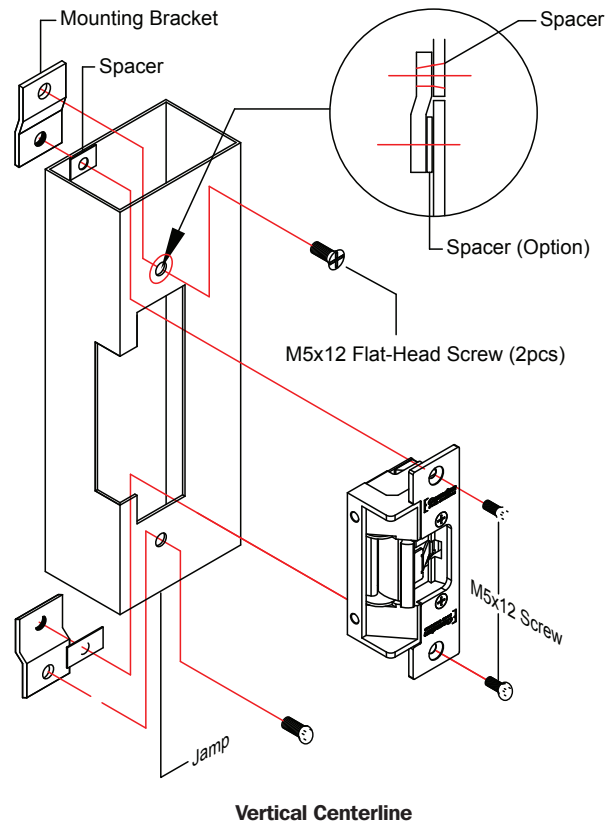


## 4. Installation

1. Prepare the door jamb as per the appropriate drawing.
2. Install mounting brackets to jamb using M5x12 screws and pressed metal nuts. Do not tighten.
3. Spacers are used to assure flush final assembly of faceplate into jamb. Add one or more spacers between jamb and mounting bracket when face plate extends beyond the jamb. When the faceplate sits inside the jamb, spacers must be added between the mounting

bracket & the lip bracket. Make sure clearance hole in spacer aligns with hole in mounting bracket.

4. Connect wires coming from the low voltage side of the transformer to wires (black) from strike.
5. Install electric strike jamb by attaching with # 10-32 screws and lockwashers.
6. Secure M5x12 screws holding mounting brackets to jamb.



**Note:** The products are intended to be installed in accordance with the installation wiring diagram, mechanical assembly drawings provided with each product, the local authority having jurisdiction (AHJ) and the National Electric Code, NFPA 70. When installed in fail secure mode, the local authority shall be consulted with regard to the use of possible panic hardware to allow emergency exit from the secure area.

The electric door strike shall be installed in such a way and in such a location so as to not impair the operation of an emergency exit device or panic hardware mounted on the door.

## 5. Connections

### POWER

#### 12VDC

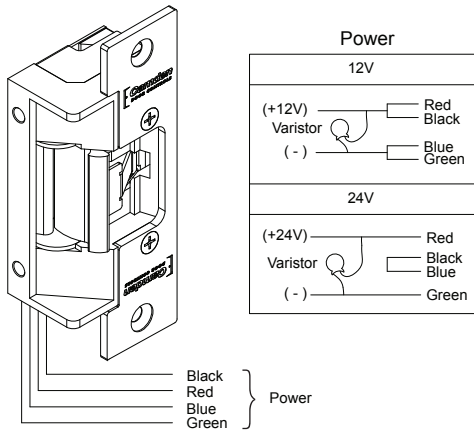
Red/Black: +12V  
Blue/Green: Ground

#### 24VDC

Red: +24V  
Black/Blue: -  
Green: Ground

A varistor is provided to protect/prevent strike from spikes. Connect varistor between input wires.

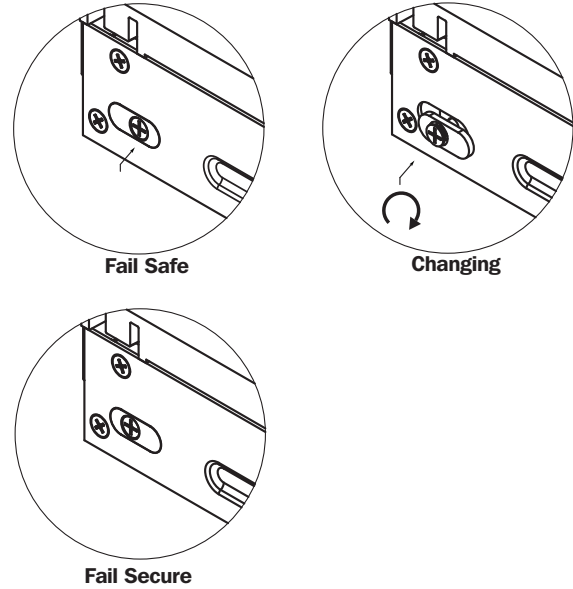
**Note: For UL 294 / UL 1034 compliance the door strikes are to be powered via a UL 294/ UL 603 class 2 power limited output from a control panel and or power supply. Furthermore, when powered by AC/DC the units shall use a UL regulated UL 294/ UL 603 power limited class 2 output rated 12/24V with AC on indicator.**



## 6. Operation

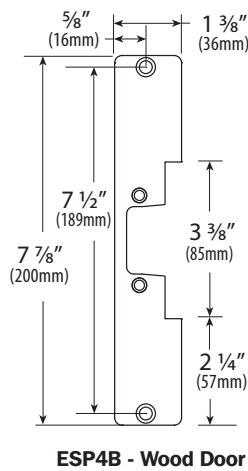
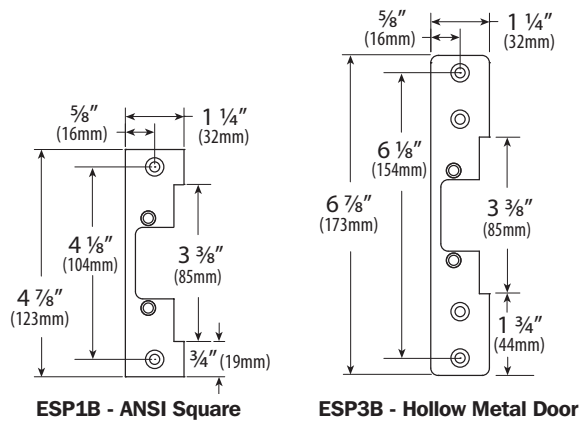
How to modify fail-safe to fail-secure or vice versa.

- (1). Loosen the screw as per the product diagram below.
- (2). Rotate the set plate 180° and slide the plate until it is properly seated.
- (3). Tighten the screw.

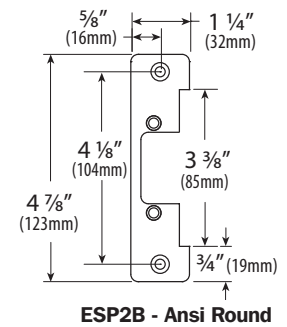


## 7. Faceplates

### INCLUDED IN PACKAGE



### ADDITIONAL FACEPLATE



Push Buttons



Keypads



Strikes



Magnetic Locks



Key Switches



Relays & Timers



Access Control