

CM-AF540SO Push for Emergency Assistance and Illuminated Annunciator Installation Instructions

PACKAGE CONTENTS

4	#6-32 x 1" Tamperproof screws
4	#6-32 x 1" SS FLT HD Screws
1	Tamperproof driver

Description

CAMDEN DOOR CONTROLS CM-AF540SO Press for Emergency Assistance and Illuminated annunciator is designed for industrial and commercial applications, where illuminated signage and an audible indicator is required. The volume control allows you to adjust sounder output. The faceplate is Stainless Steel with a 1-3/8" Square Lens. This unit requires 12/24V AC/DC to operate.

Application

Camden illuminated Annunciator with sounder is ideal for areas that require a visual and audible indicator with emergency assistance has been requested such as restrooms or hospital rooms. It can be surface or flush mounted. Camden Illuminated Annunciator is designed to be controlled by electric locks, electro-magnetic locks, electric strikes, automatic doors, and low energy operators.

Wiring

Refer to the wiring diagram below for proper connection information.

Wire Color	Connection
Black	12/24V AC/DC +/- 10%
Black	Common

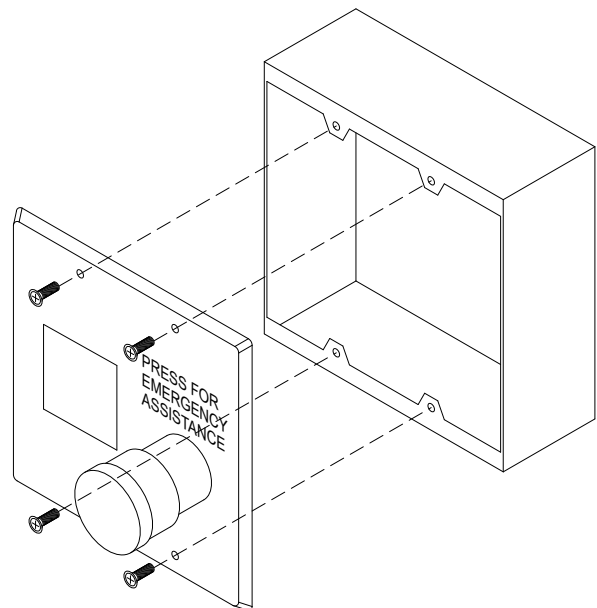
WARNING:

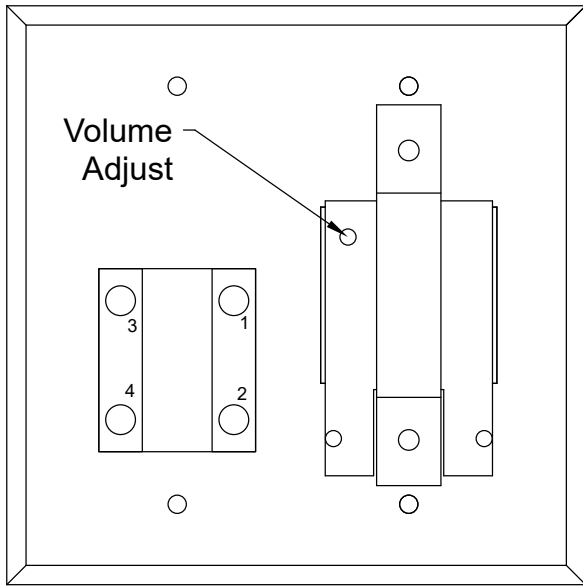
Do NOT apply power to the unit until all wiring



Installation

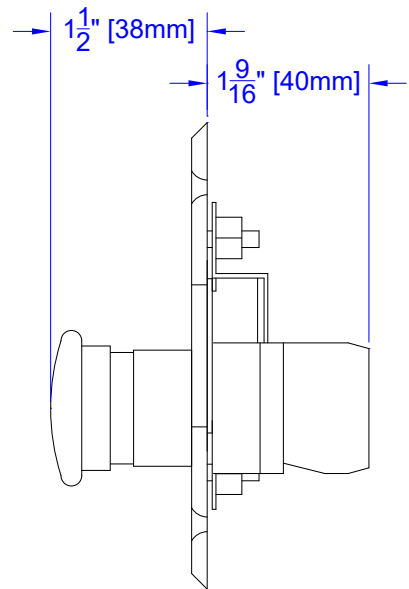
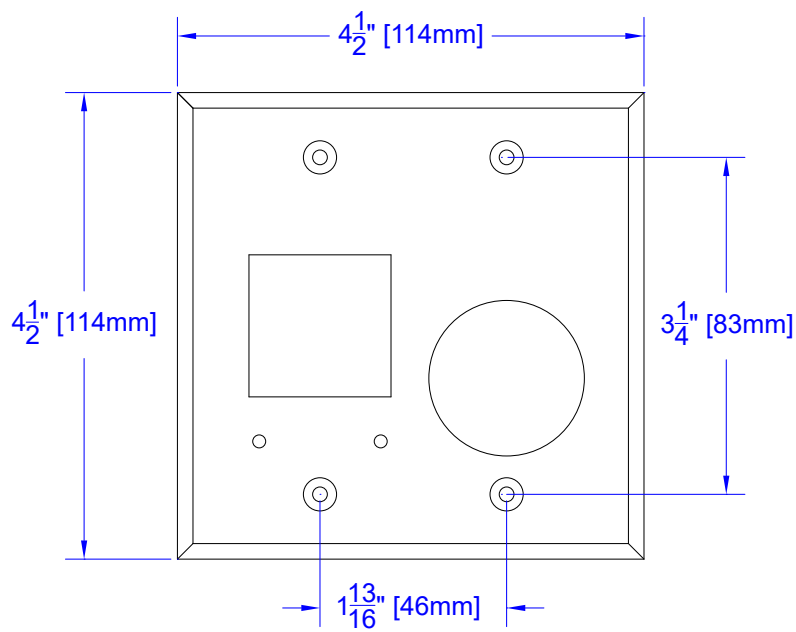
CM-AF540SO is supplied with a stainless steel faceplate that can be easily mounted to a double gang electrical box.

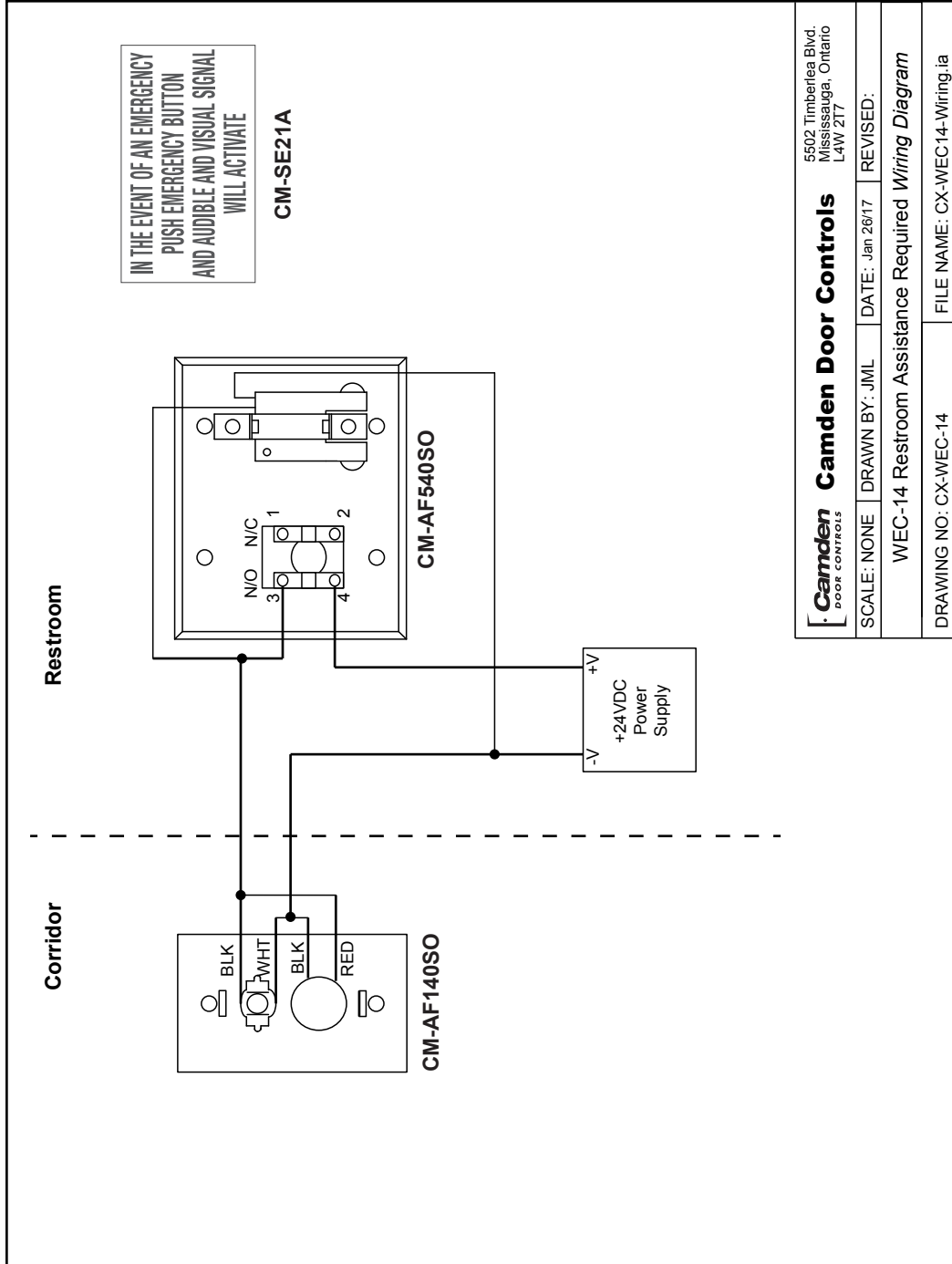




Volume Adjust

Turn the volume adjust clockwise to increase the volume and counter clockwise to decrease the volume. Turn the volume adjust all the way counter clockwise to turn the sounder completely off.





Camden **Door Controls**
 5502 Timberlea Blvd.
 Mississauga, Ontario
 L4W 2T7

Camden Door Controls

SCALE: NONE DRAWN BY: JML DATE: Jan 26/17 REVISED:

WEC-14 Restroom Assistance Required *Wiring Diagram*

DRAWING NO: CX-WEC-14 FILE NAME: CX-WEC-14-Wiring.ia



Push Buttons



Keypads



Strikes



Magnetic Locks



Key Switches



Relays & Timers



Access Control



5502 Timberlea Blvd.,
 Mississauga, ON Canada
 L4W 2T7

www.camdencontrols.com
 Toll Free: 1.877.226.3369



Certified ISO 9001: 2008

File: CM-AF540SO
 Installation Instructions.indd R1
 Revision: 213/02/2017
 Part No.: 40-82B204