



CV-350 | Finally, an Access Control System that Uses Advanced Technology to Make Your Job Easier!

- Ⓞ 2 door controllers with built-in TCP-IP and RS485, or RS485 only Communications
- Ⓞ Lockable 2 and 4 door metal enclosures with controller, power supply, battery charger and transformer
- Ⓞ Integrated keypad, prox reader and fingerprint reader support
- Ⓞ Unlimited number of doors, users, access levels and sites
- Ⓞ Fire alarm and intrusion alarm integration
- Ⓞ Time and Attendance
- Ⓞ Graphic site mapping, customized reports and email notification
- Ⓞ Manage all system controllers, devices and credentials from a single admin screen
- Ⓞ Distributed intelligence: failure of one controller will not affect others on network
- Ⓞ Client-server software. Multiple users can access the system
- Ⓞ Fully configurable logic of inputs and outputs across network
- Ⓞ MS Access or SQL database
- Ⓞ Color coded wiring and terminals for easier installation
- Ⓞ 24 time zones, 32 holiday schedules & unlimited number of access levels
- Ⓞ Anti-passback and mantrap access
- Ⓞ Dynamic DNS support



DISCOVER THE BEST IN DOOR ACTIVATING AND LOCKING PRODUCTS!

TOLL FREE: 1.877.226.3369 • Tel: 905.366.3377 • Fax: 905.366.3378
 info@camdencontrols.com • www.camdencontrols.com/cv350

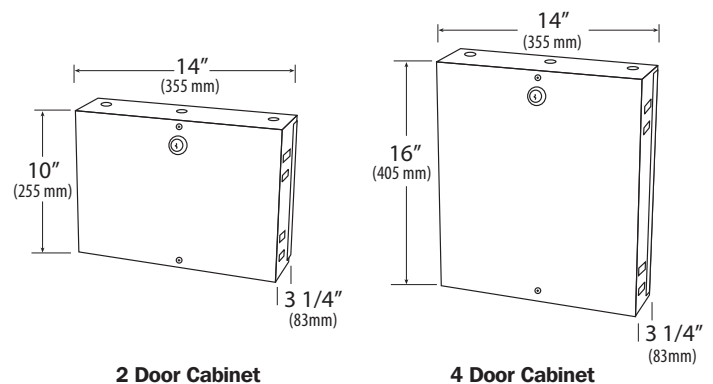


CV-350 SERIES: TCP/IP ACCESS CONTROL SYSTEM

Camden's new CV-350 Series TCP/IP access control system doesn't just use the most advanced technology to deliver virtually limitless TCP/IP and RS485 networking, scalability and systems integration. It also delivers the easiest system installation, configuration and operation of any comparable system on the market. 'Point and Click' management of controllers, devices (including keypads, card readers and biometric fingerprint readers) and user credentials from a single software screen is just the beginning! For system designers, installers and administrators, CV-350 from Camden Controls makes it easy to access 'state of the art' system performance.

ORDERING INFORMATION	
CONTROL PANELS	
CV-352	2 Door TCP/IP & RS485 controller, 2 Amp power supply, 40VA transformer, and metal cabinet
CV-352E	2 Door Expansion RS485 controller, 2 Amp power supply, 40VA transformer, and metal cabinet
CV-354	4 Door TCP/IP & RS485 controller, 2 Amp power supply, 40VA transformer, and metal cabinet
CV-354E	(2) Two Door RS485 controllers, (1) 2 Amp power supply, 40VA transformer, and metal cabinet
2 DOOR SYSTEM KITS	
CV-352-K1	TCP/IP & RS485 controller, 2 Amp power supply and metal cabinet, (2) CV-7400 AWID/HID proximity readers
CV-352-K2	TCP/IP & RS485 controller, 2 Amp power supply and metal cabinet, (2) CV-930-SL 'Designer Series' AWID/HID proximity readers
CV-352-K3	TCP/IP & RS485 controller, 2 Amp power supply and metal cabinet, (1) CV-940-SL 'Designer Series' biometric fingerprint reader
4 DOOR SYSTEM KITS	
CV-354-K1	TCP/IP & RS485 controller, RS485 controller, 2 Amp power supply, metal cabinet, (4) CV-7400 AWID/HID proximity readers
CV-354-K2	TCP/IP & RS485 controller, RS485 controller, power supply, metal cabinet, (4) CV-930-SL 'Designer Series' AWID/HID proximity readers
SYSTEM ACCESSORIES	
CV-350DK	USB Dongle key for software client server
CV-350ER	USB Fingerprint desktop enrollment reader
CAMDEN WIEGAND DEVICES	
<p>In addition to the Wiegand devices included with CV-350 system kits, Camden offers an extensive range of additional devices including:</p> <ul style="list-style-type: none"> • Indoor and outdoor keypads and readers • Vandal resistant keypads and readers • 'Designer Series' proximity readers 	

SPECIFICATIONS	
Voltage:	11 to 15 VDC
Users:	Up to 15,000 per controller
Event Log:	Up to 30,000 per controller
Communications:	TCP/IP and RS485
Controllers Per System:	Unlimited
Relays:	(2) 250VAC, 10A, per controller
Reader Inputs:	2 per controller 26, 34 bit or custom 8 to 128 bit
Door Contact Inputs:	2 per controller
'Request to Exit' Inputs:	2 per controller
Programmable Inputs:	(2) Opto-couplers, 5-30 VDC, 3-28 mA
Programmable Outputs:	(2) 250VDC, 10A per controller
Tamper:	Yes
Current Draw:	300mA, not including devices
Temperature Range:	32°F - 113°F (0°C - 45°C)
Backup:	360 day data retention



2 Door Cabinet

4 Door Cabinet