

CV-800EP Serial to Wiegand Converter

Installation Instructions

Section 1:

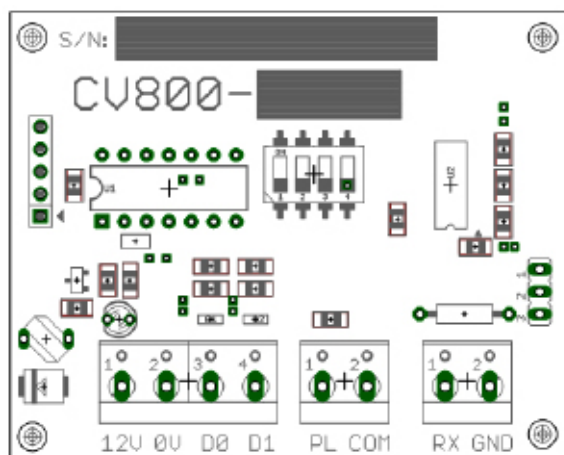
General Description

The CV-800EP is a Serial to Wiegand Converter for the Viscount Enterphone 2000 Telephone Entry System.

It captures the Dial code a visitor enters into the lobby Panel, Converts it to 26bit Wiegand Format, then sends it to an Access Control System when the Resident Grants the visitor Access.

The CV-800EP also has provision for the postal Lock Switch. When the normally open postal Lock switch is activated, the CV800 will send "9999" in 26bit Wiegand format to the Access Control system.

Note: The CV-800EP Requires: Firmware Verison 2.4 or higher.



The following must be programmed in the Viscount Enterphone2000 telephone entry panel.

- The Baud rate must be set to 9600 (default)
- Communications parameters must be set to 8bits, 1stopbit, no parity (8,N,1)(default)
- Dial Codes must not have a value greater than 65535.

Section 2:

Installation

To Install the CV-800EP

- 1) Connect the supplied DB9 connector to J11 of the Enterphone2000 Central Control Unit.

Connect the Green wire from the DB9 connector to the Gnd Terminal on the CV800-EP

Connect the White wire from the DB9 connector to the RX terminal on the CV800-EP

(Note: the red & black wire on the DB9 Connector are not used.)

- 2) Connect the **12V** terminal of the **CV800** to the Access Control Reader **+12V Input**.

Connect the **0V** terminal of the **CV800** to the Access Control Reader **0V Input**.

Connect the **D1** terminal of the **CV800** to the Access Control Reader **D1 Input**.

Connect the **D0** terminal of the **CV800** to the Access Control Reader **D0 Input**.

Program the Access Control System with the Dial Codes.

Section 3:

Specifications

Output Format	26 bit Wiegand
Facility Code	0 (zero)
Power Supply	9 to 14VDC (Linear Power Supply Recommended)
Maximum Current Requirements	Average 7ma, Peak 10ma.
Cable Distance	300 Feet (90 Metres) (Reader Input)
Warranty	3 Year Warranty against defects in Materials and Workmanship



Push Buttons



Keypads



Strikes



Magnetic Locks



Key Switches



Relays & Timers



Access Control