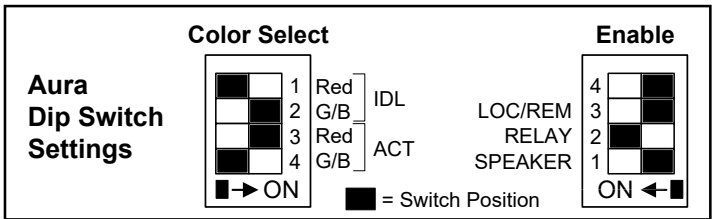
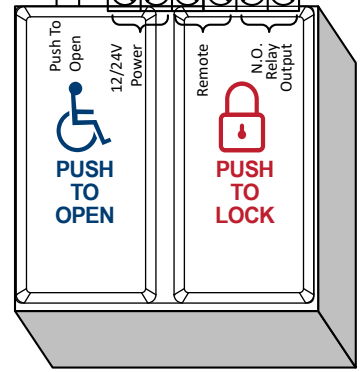
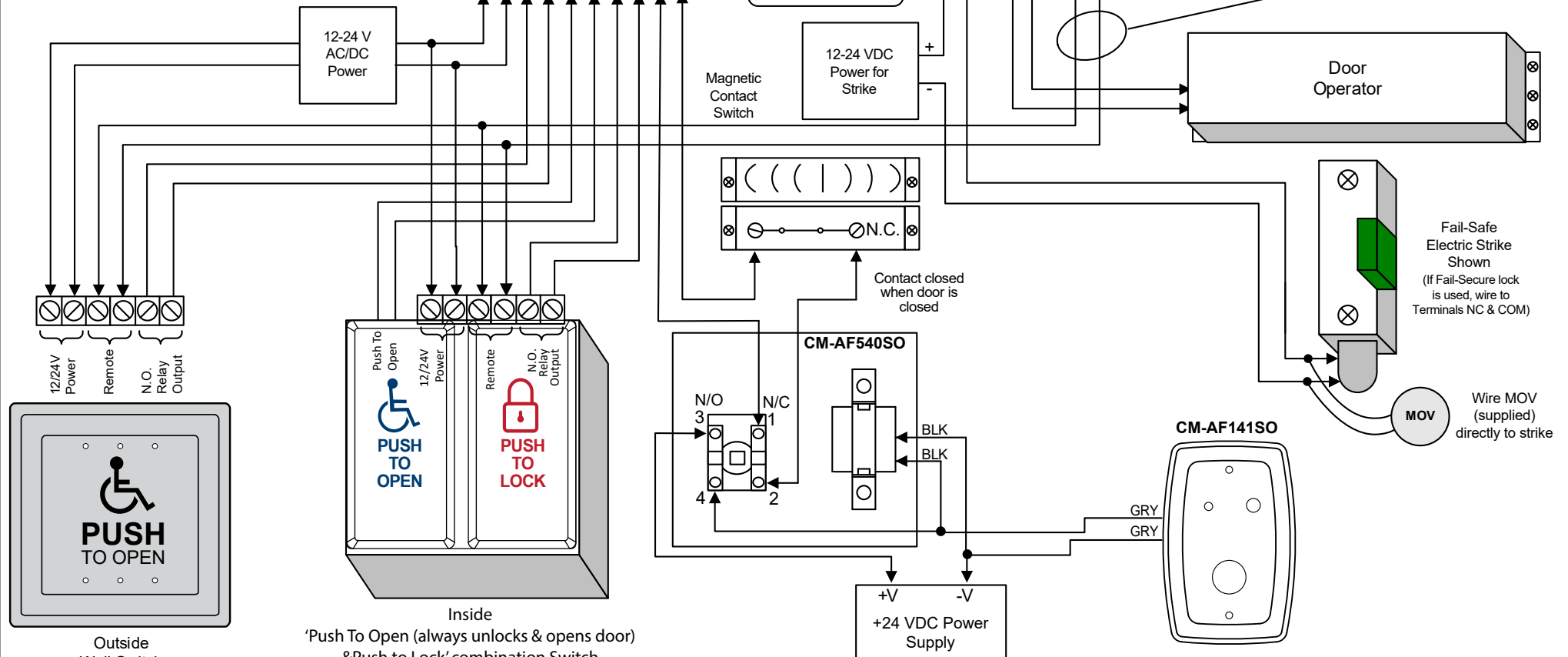
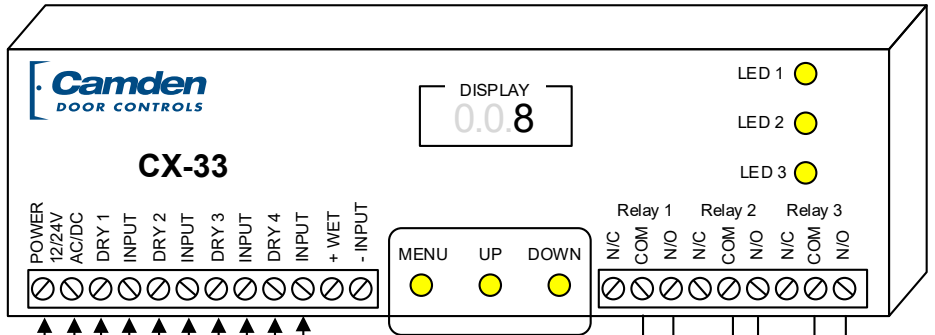


Note:
This Drawing should be used in addition to each products respective Installation Manual (not in place of)

Important:
Ensure wiring polarity is consistent from Relay 3 to each Aura's Remote Input terminals.

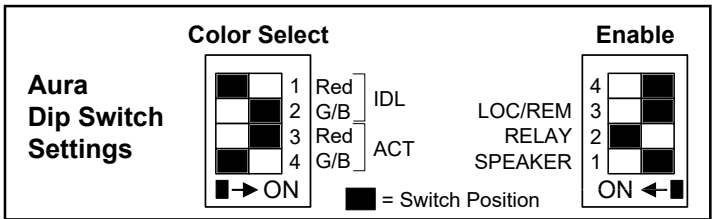
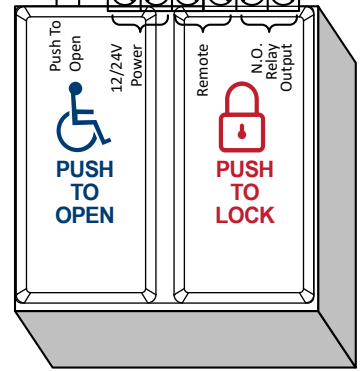
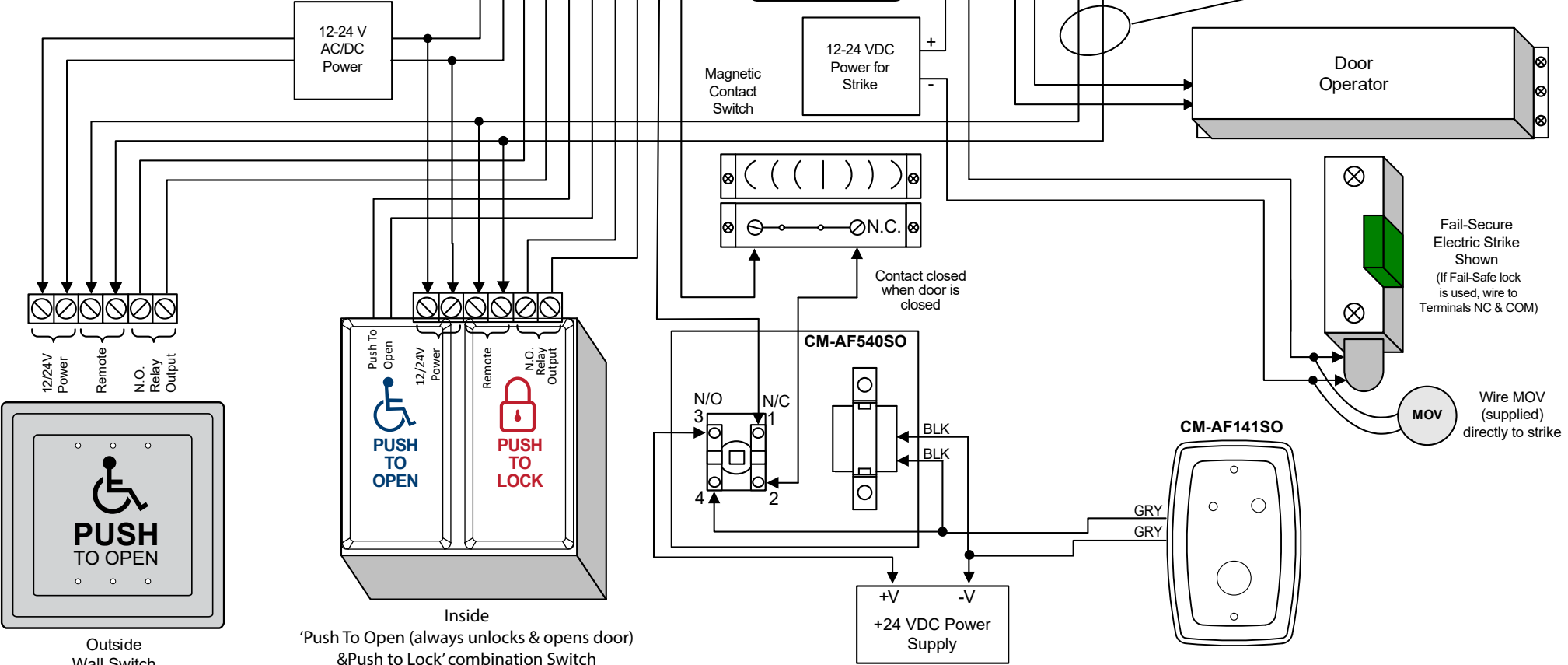


Camden DOOR CONTROLS		5502 Timberlea Blvd. Mississauga, Ontario L4W 2T7	
SCALE: NONE	DRAWN BY: JML	DATE: 05-22-2018	REV: 2
CX-WC13AXFM & WEC10K2 Single Door Restroom (Normally unlocked)			
DRAWING No: CX-WC13AXFM-WEC10-7		FILE NAME: WC-13AXFM-7-WEC10K2 wiring diagram_R1	



Note:
This Drawing should be used in addition to each products respective Installation Manual (not in place of)

Important:
Ensure wiring polarity is consistent from Relay 3 to each Aura's Remote Input terminals.



Camden DOOR CONTROLS CAMDEN DOOR CONTROLS

5502 Timberlea Blvd. Mississauga, Ontario L4W 2T7

SCALE: NONE	DRAWN BY: JML	DATE: 05-22-2018	REV: 2
CX-WC13AXFM & WEC10K2 Single Door Restroom (Normally locked)			
DRAWING No: CX-WC13AXFM-WEC10-8		FILE NAME: WC-13AXFM-8-WEC10K2 wiring diagram_R1	