

NOTE: This Drawing should be used in addition to each products respective Installation Manual. (not in place of)

Important: Ensure wiring polarity is consistent from Relay3 to each Aura's Remote Input terminals.

Outside Wall Switch CM-45/455SE1 (or similar)

Inside Wall Switch (always unlocks & opens door)

Inside 'Push-to-Lock' CM-45/855SE1 (or similar)

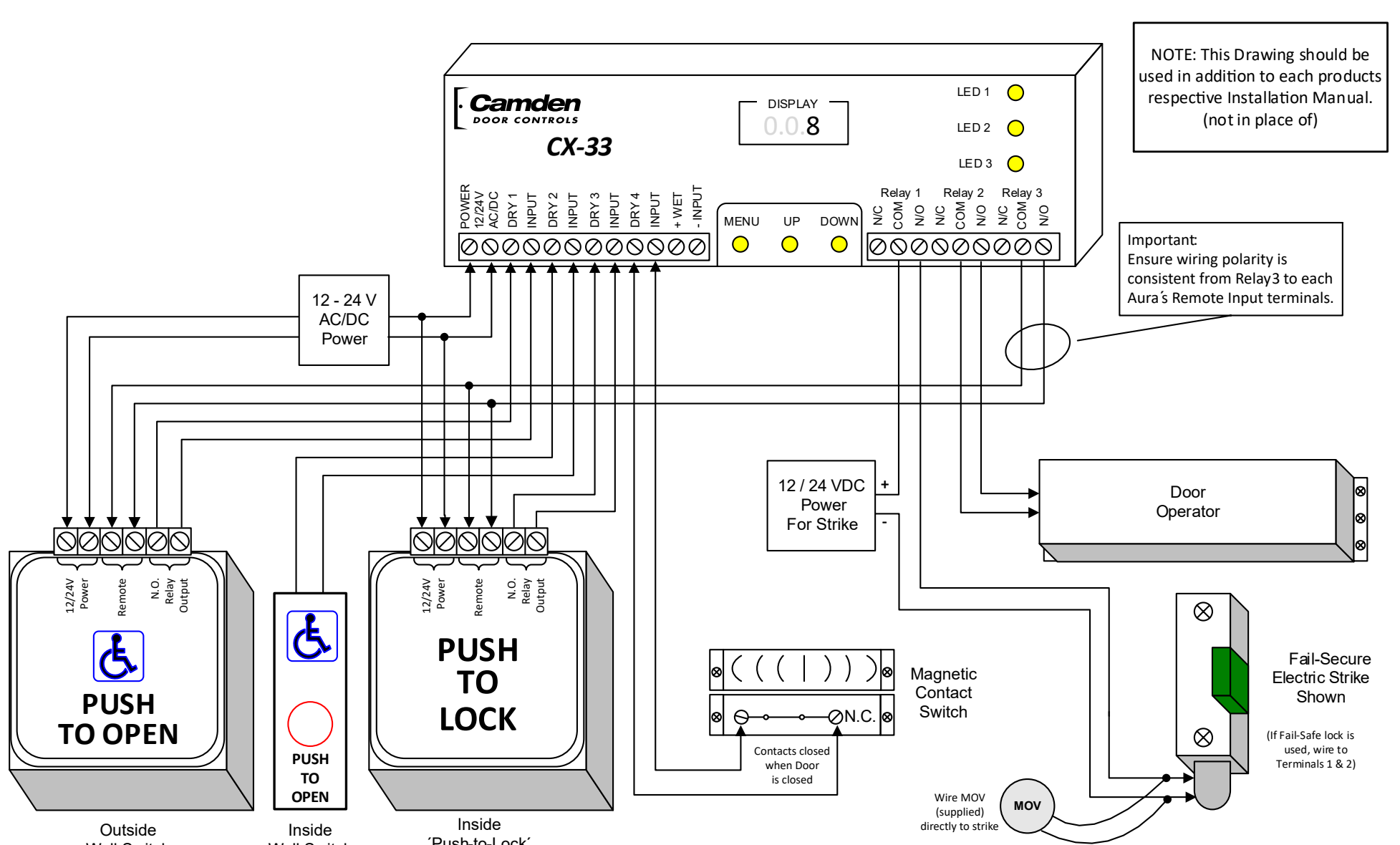
**Aura Dip Switch Settings**

Color Select		Enable	
1	Red	4	ON ←
2	G/B	3	OFF
3	Red	2	OFF
4	G/B	1	ON ←

IDL (1, 2)    ACT (3, 4)

LOC/REM RELAY SPEAKER (4, 3, 2, 1)

		<b>CAMDEN DOOR CONTROLS</b>		5502 Timberlea Blvd. Mississauga, Ontario L4W 2T7	
SCALE: NONE	DRAWN BY: DGW	DATE: 03/07/17	REV: 2		
<b>WC-13 Washroom Package Wiring Diagram (normally unlocked)</b>					
DRAWING No: DRG-CX-WC-13-7			FILENAME: WC-13-7 wiring diagram_R2		



NOTE: This Drawing should be used in addition to each products respective Installation Manual. (not in place of)

Important: Ensure wiring polarity is consistent from Relay3 to each Aura's Remote Input terminals.

Outside Wall Switch CM-45/455SE1 (or similar)

Inside Wall Switch (always unlocks & opens door)

Inside 'Push-to-Lock' CM-45/855SE1 (or similar)

**Aura Dip Switch Settings**

**Color Select**

1	Red	IDL
2	G/B	
3	Red	ACT
4	G/B	

ON →

**Enable**

4	LOC/REM
3	RELAY
2	SPEAKER
1	ON ←

**Camden DOOR CONTROLS**

5502 Timberlea Blvd. Mississauga, Ontario L4W 2T7

SCALE: NONE	DRAWN BY: DGW	DATE: 03/07/17	REV: 2
-------------	---------------	----------------	--------

**WC-13 Washroom Package Wiring Diagram (normally locked)**

DRAWING No: DRG-CX-WC-13-8	FILENAME: WC-13-8 wiring diagram_R2
----------------------------	-------------------------------------

For Normally Unlocked Door, see over...

Part # 40-82D003