

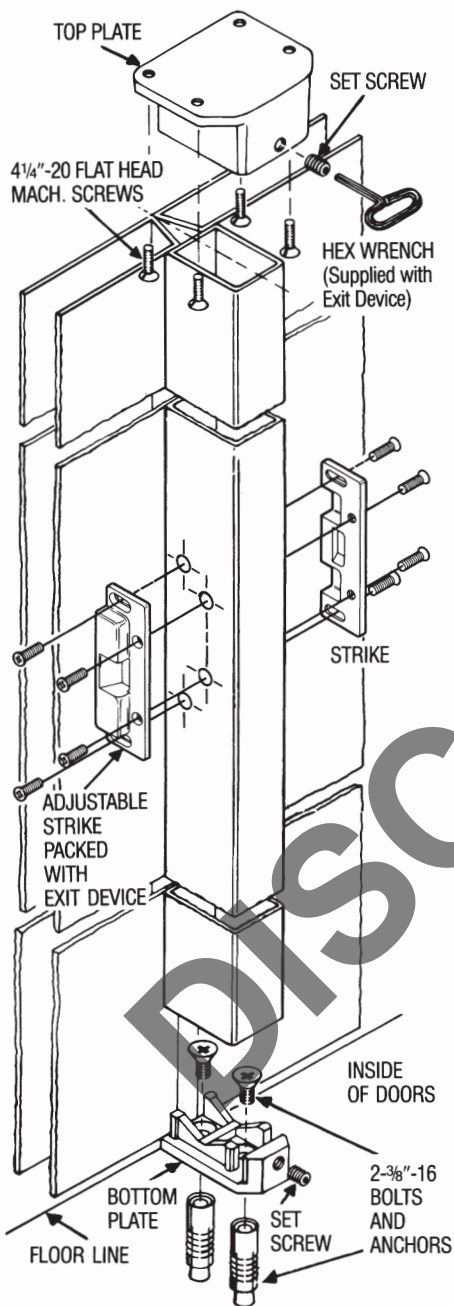
REMOVABLE STEEL MULLION 508 FOR RIM EXIT DEVICES

INSTALLATION INSTRUCTIONS—FURNISHED FOR DOOR
HEIGHTS OF 8'0" AND UNDER.

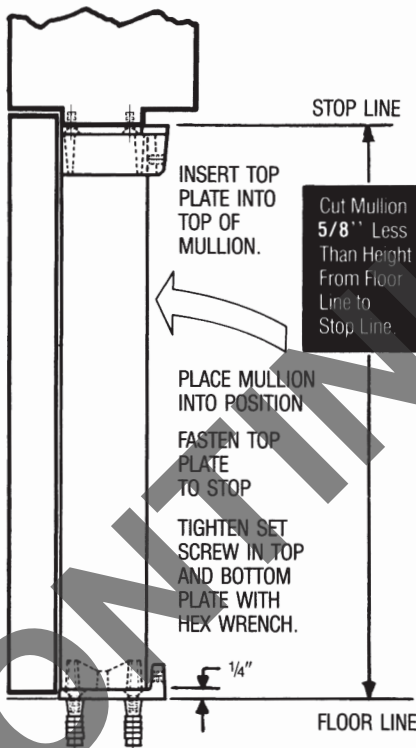


ASSA ABLOY

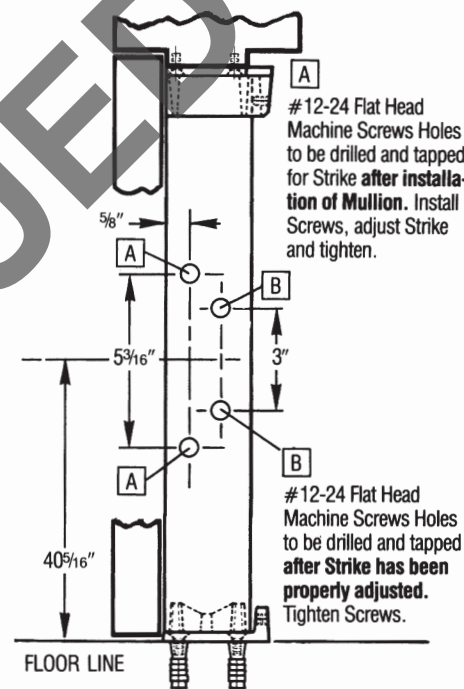
STEP 1 Hang and Close Doors.
1 Install Bottom Plate.



STEP 2 Place Mullion into Position.

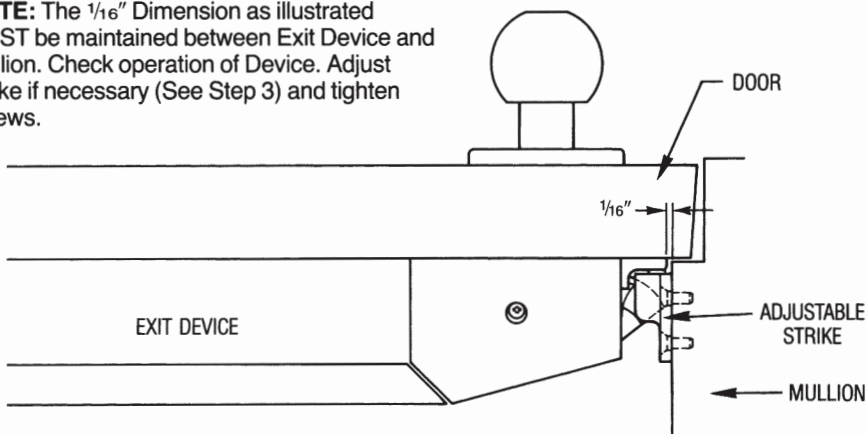


STEP 3 Install Strike.
Drill and tap Screw holes. Install and adjust Strike. (Strike is properly adjusted when latch is able to project fully when door is closed.)



STEP 4 Mount Device in accordance with Instructions packed with it.

NOTE: The 1/16" Dimension as illustrated MUST be maintained between Exit Device and Mullion. Check operation of Device. Adjust Strike if necessary (See Step 3) and tighten screws.



In U.S.:
Corbin Russwin, Inc.
225 Episcopal Road
Berlin, CT 06037 USA
Phone: 860-225-7411

In Canada:
ASSA ABLOY Door Security Solutions Canada
160 Four Valley Drive
Vaughan, Ontario, Canada L4K 4T9
Phone: 800-461-3007