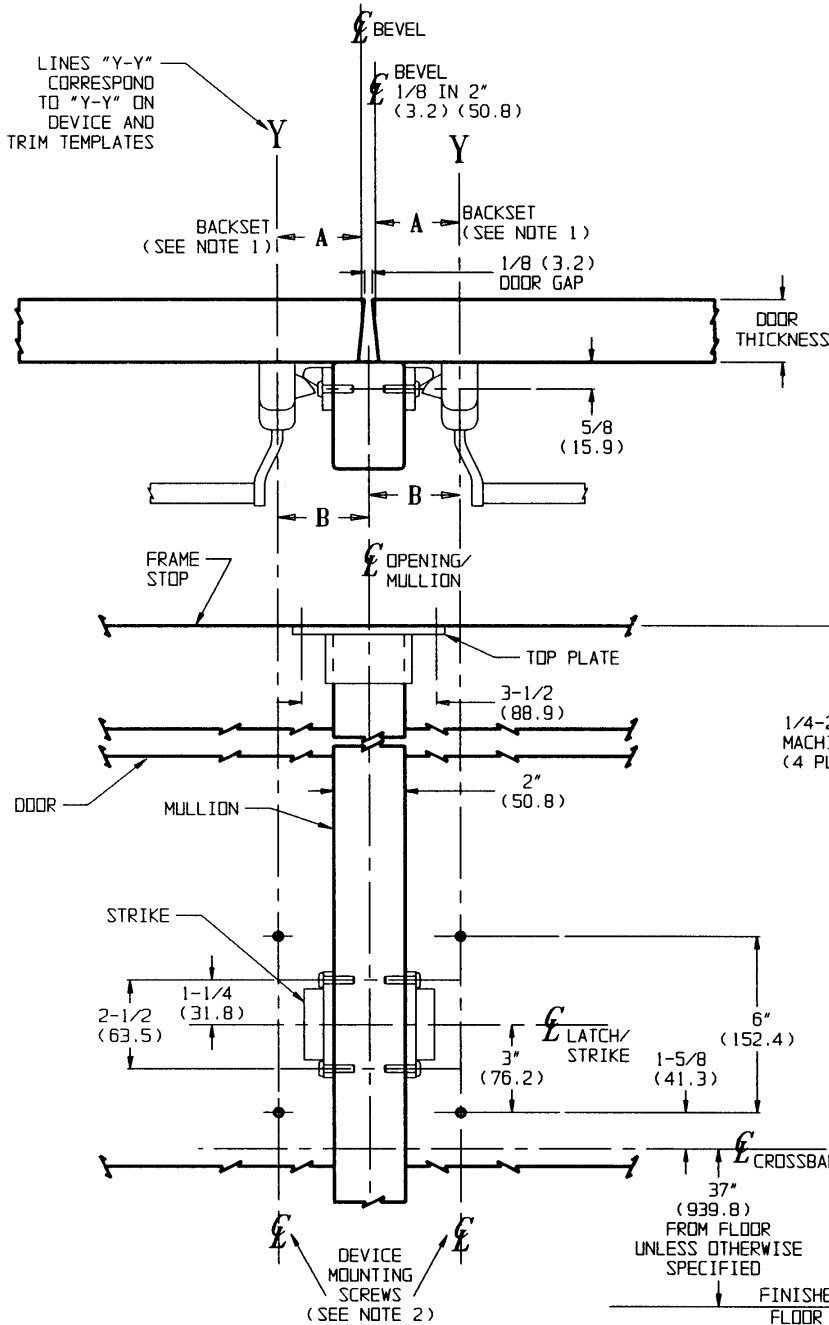


DOUBLE DOOR APPLICATIONS ONLY

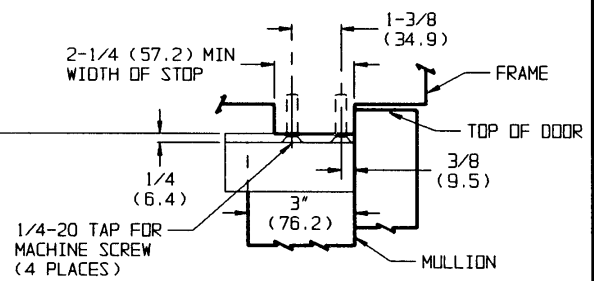
TEMPLATE CROSS REFERENCE (FOR SINGLE DOOR APPLICATIONS)

DESCRIPTION	TEMPLATE
ED7200 SERIES RIM DEVICE	T30568

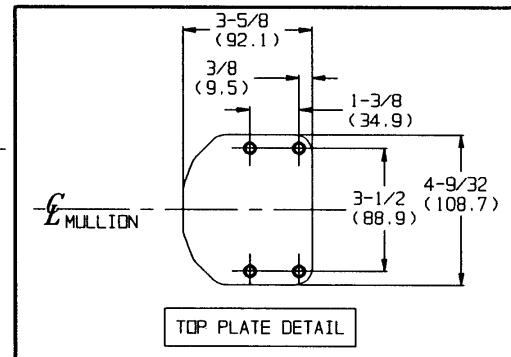
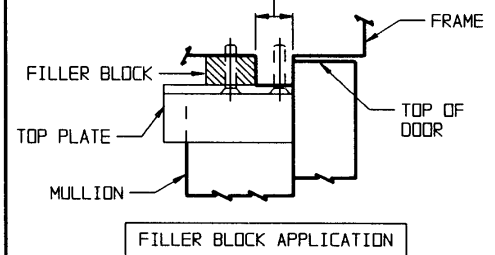


NOTES:

- BACKSET IS MEASURED FROM CENTERLINE OF BEVEL WHICH IS CENTERPOINT OF DOOR THICKNESS.
- FOR OTHER DEVICE AND STRIKE MOUNTING SPECIFICATIONS, REFER TO APPROPRIATE SINGLE DOOR APPLICATION TEMPLATE.
- FOR PREPARATION OF TRIM, REFER TO SEPARATE TEMPLATE.
- DIMENSIONS GIVEN IN INCHES AND (MM).



FOR FRAME STOP LESS THAN 2-1/4" (57.2) WIDE, USE FILLER BLOCK AS SHOWN (TO BE FURNISHED BY OTHERS)



PACKET	STRIKE FURNISHED	A BACKSET	B	MINIMUM STILE
145F56	REGULAR	2-1/4 (57.2)	2-3/8 (60.3)	2-15/16 (74.6)
145F55	OPTIONAL SD7	2-7/16 (61.9)	2-9/16 (65.1)	3-1/8 (79.4)

RESPONSIBILITY

Door and Frame Manufacturers are responsible for providing adequate construction or reinforcements for proper installation of hardware shown. All architectural builders hardware must be installed on properly reinforced doors and frames, regardless of the type, material, or method of construction.

ED7200 SERIES BY
508 AND 510 MULLIONS

CROSSBAR NARROW STILE
RIM DEVICE

**Corbin
Russwin**™
www.corbinrusswin.com

DO NOT SCALE DRAWING

SUPERSEDES	VT30504	DR.	KJ	DATE	6/2/93	TEMPLATE NUMBER	T30504
------------	---------	-----	----	------	--------	-----------------	--------