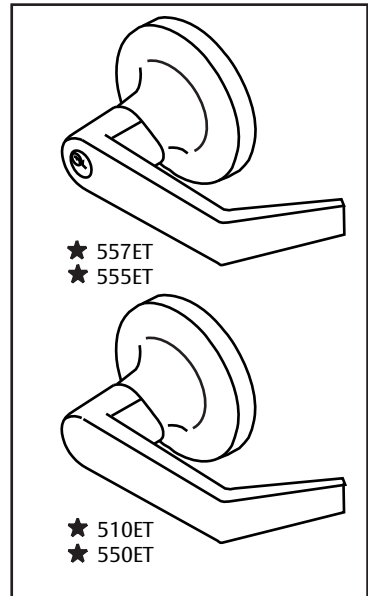
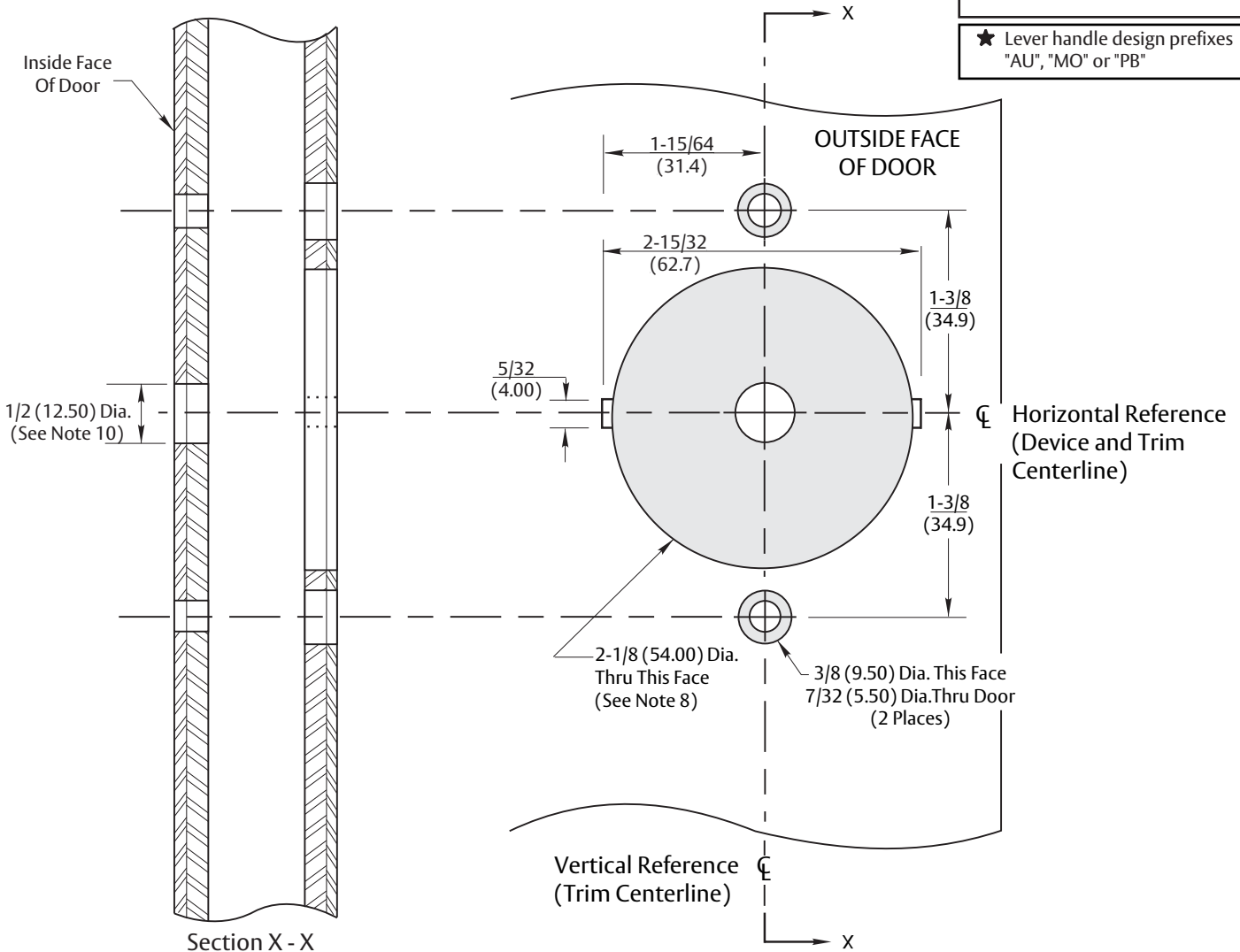


Notes:

1. This template is an addition to the device template. Locate centerlines using horizontal and vertical references on device template.
2. Do not scale drawing.
3. Dimensions are in inches (mm).
4. LHR door shown. Preparation is typical for both door hands.
5. For door reinforcement see template T30800.
6. Prepare mounting holes when installing the trim.
7. Provide adequate internal support to prevent door deformation after trim is bolted to the door.
8. ANSI/BHMA A156.115, which cover hardware preparations for steel doors and steel frames, and A156.115-W, which cover hardware preparations for wood doors with wood or steel frames.
9. Dimensions given about a centerline are symmetrical.
10. Omit for 550T.



★ Lever handle design prefixes "AU", "MO" or "PB"



RESPONSIBILITY
 DOOR AND FRAME MANUFACTURERS ARE RESPONSIBLE FOR PROVIDING ADEQUATE CONSTRUCTION OR REINFORCEMENTS FOR PROPER INSTALLATION OF HARDWARE SHOWN. ALL ARCHITECTURAL BUILDERS HARDWARE MUST BE INSTALLED ON PROPERLY REINFORCED DOORS AND FRAMES, REGARDLESS OF TYPE, MATERIAL, OR METHOD OF CONSTRUCTION.

**510ET, 555ET, 557ET and 550ET Trim
 With ED2000 Series
 Rim and Vertical Rod Exit Devices
 Metal Door Preparation**

Corbin Russwin
ASSA ABLOY
 www.corbinrusswin.com

SUPERSEDES	DO NOT SCALE DRAWING	
TEMPLATE NUMBER T31269	SHEET 1 of 1	DATE 04/23

Experience a safer and more open world

Copyright © 2023 ASSA ABLOY Access and Egress Hardware Group, Inc. All rights reserved. Reproduction in whole or in part without the express written permission of ASSA ABLOY Access and Egress Hardware Group, Inc. is prohibited.