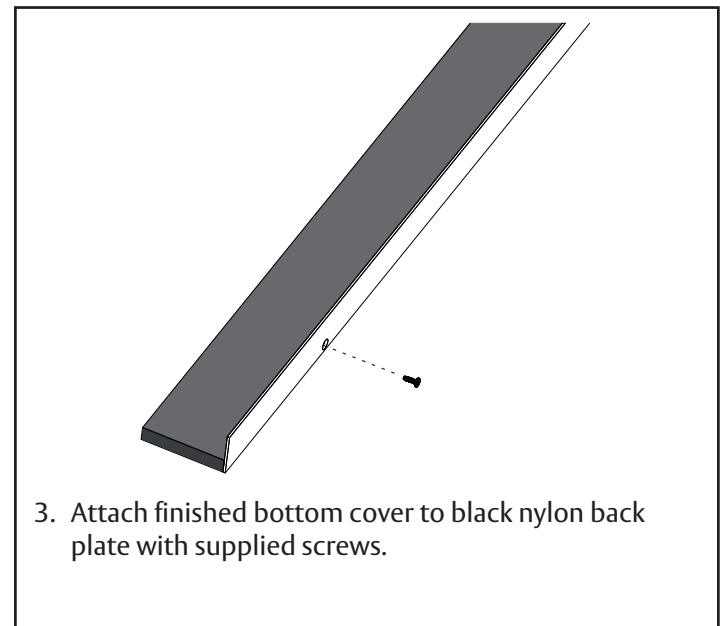
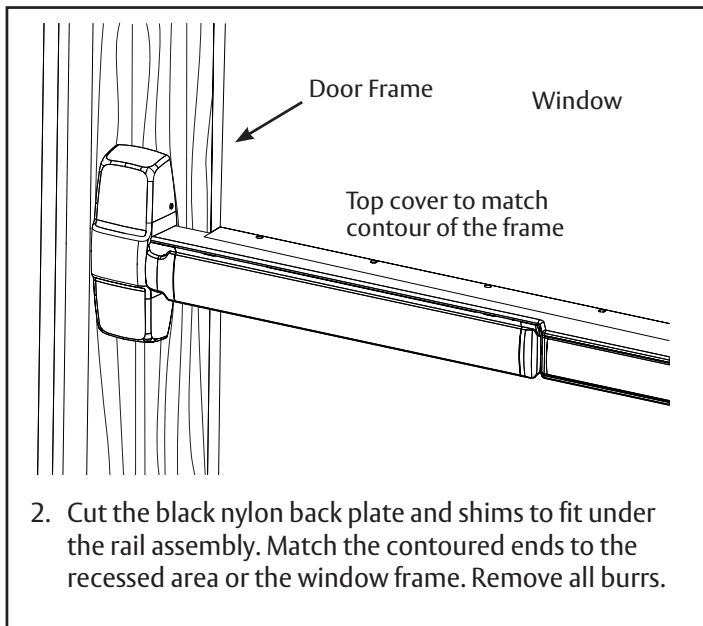
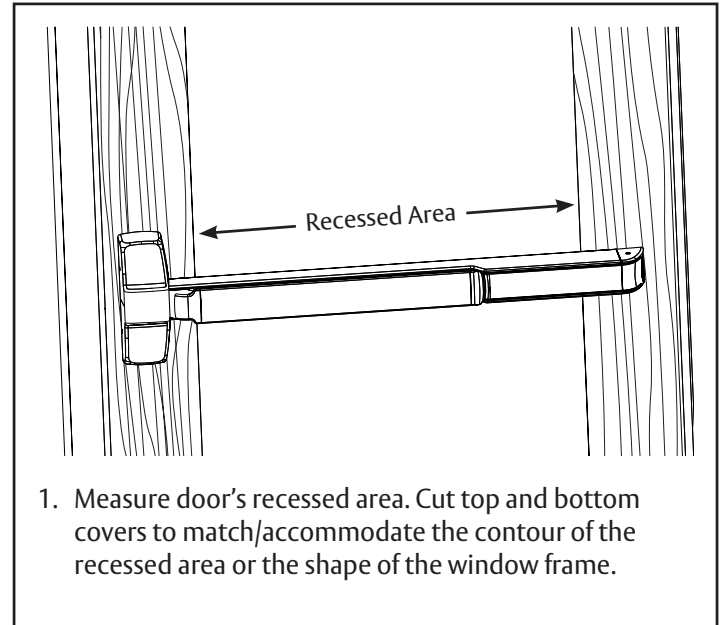
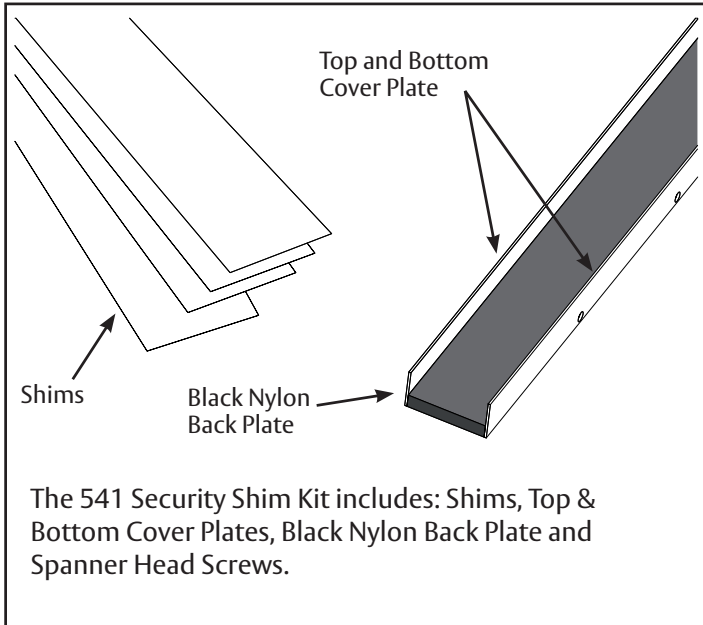


## PED4000 / PED5000 Series Exit Device

### 541 Security Shim Kit



### ⚠ WARNING

This product can expose you to lead which is known to the state of California to cause cancer and birth defects or other reproductive harm. For more information go to [www.P65warnings.ca.gov](http://www.P65warnings.ca.gov).

FM647 5/23

For installation assistance contact Corbin Russwin  
1-800-543-3658 • [techsupport.corbinrusswin@assaabloy.com](mailto:techsupport.corbinrusswin@assaabloy.com)

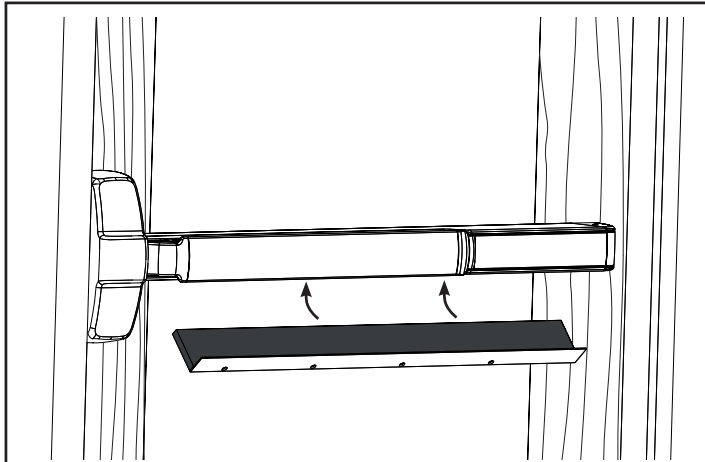
Copyright © 2023, ASSA ABLOY Access and Egress Hardware Group, Inc. All rights reserved. Reproduction in whole or in part without the express written permission of ASSA ABLOY Access and Egress Hardware Group, Inc. is prohibited.

Experience a safer  
and more open world

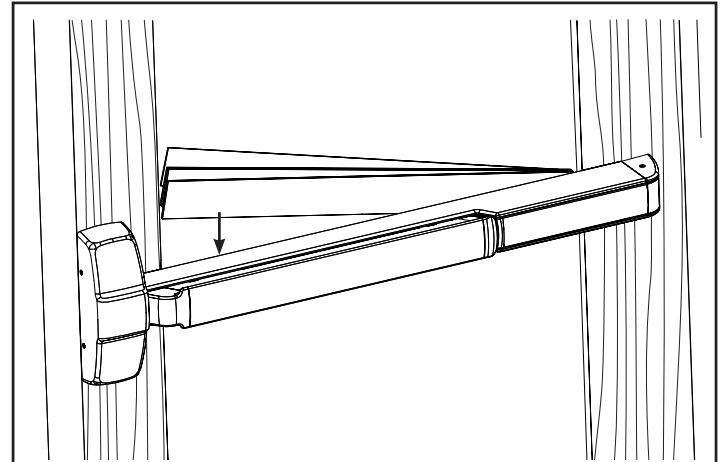
The ASSA ABLOY Group is the global leader in access solutions. Every day we help people feel safe, secure and experience a more open world.



ASSA ABLOY

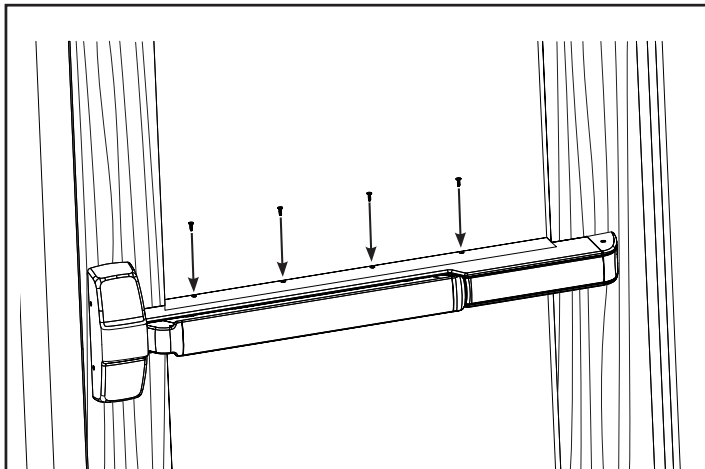


4. Slide the assembled kit into position from the underside of the rail.



5. Insert supplied shims to fill the gap between the backside of the rail and the black nylon back plate.

**Note:** Do not force fit shims.



6. Attach the top cover with supplied screws to capture the shims and secure the shim kit assembly.

SARGENT Manufacturing Company  
100 Sargent Drive  
New Haven, CT 06511 USA  
800-727-5477  
[www.sargentlock.com](http://www.sargentlock.com)

For installation assistance contact Corbin Russwin  
1-800-543-3658 • [techsupport.corbinrusswin@assaabloy.com](mailto:techsupport.corbinrusswin@assaabloy.com)

Copyright © 2023, ASSA ABLOY Access and Egress Hardware Group, Inc. All rights reserved.  
Reproduction in whole or in part without the express written permission of ASSA ABLOY Access and Egress Hardware Group, Inc. is prohibited.

FM647 5/23

Experience a safer  
and more open world