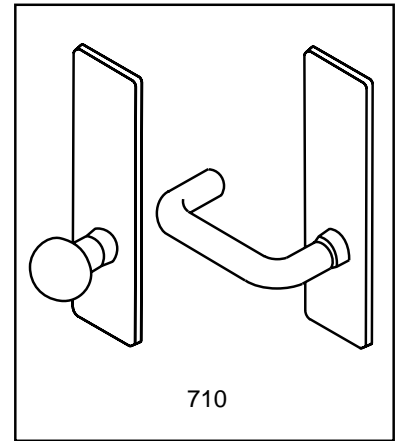


**Notes:**

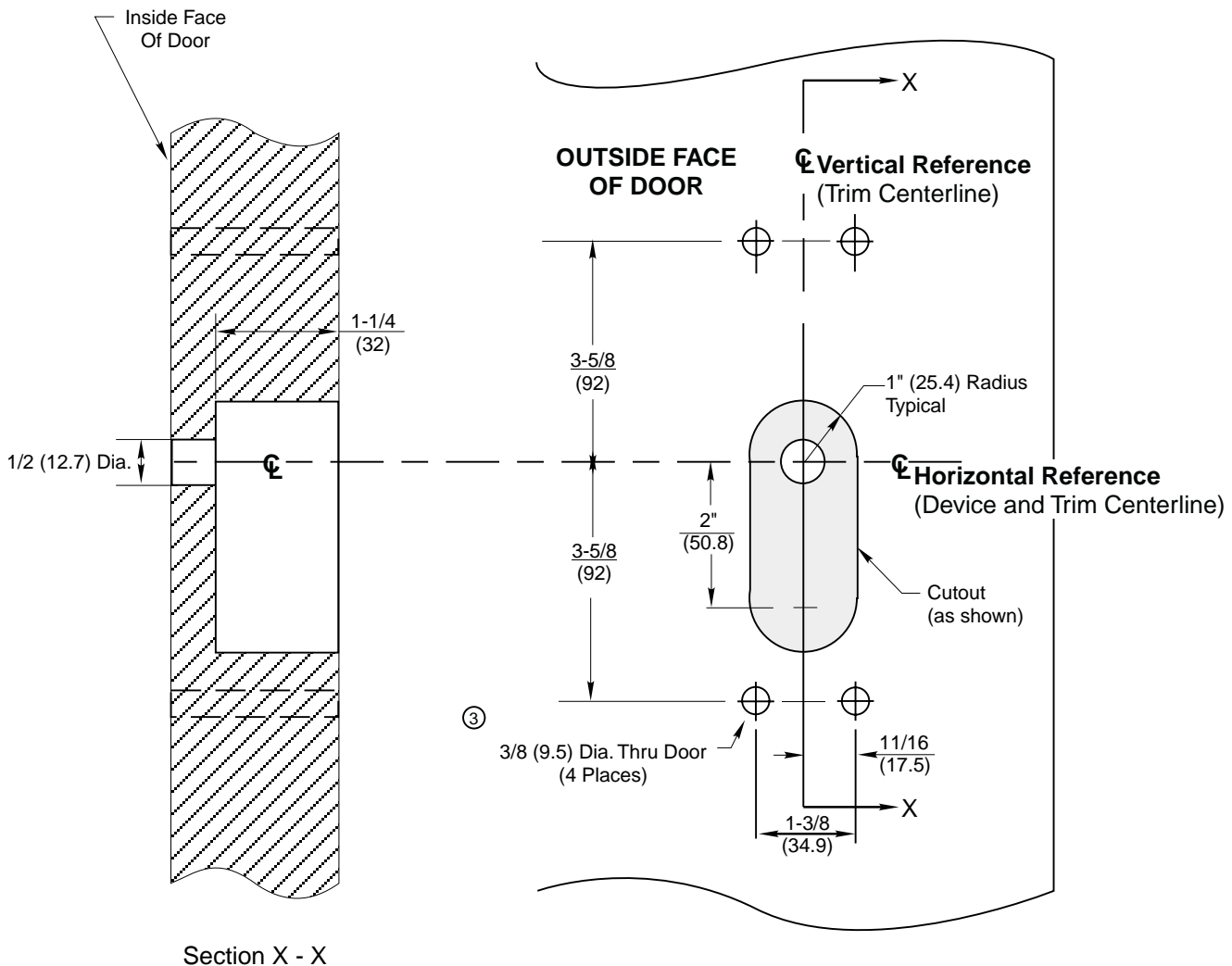
1. This template is an addition to the device template. Locate centerlines using horizontal and vertical references on device template.
2. Do not scale drawing.
3. Dimensions are in inches (mm).
4. LHR door shown. Preparation is typical for both door hands.
5. Provide adequate structural support to maintain door integrity during operation.
6. Prepare mounting holes when installing trim.
7. Dimensions given about a centerline are symmetrical.



710

③

**Note: Lever and knob prefix does not affect door prep.**



**710 Series Trim**

With ED5200, ED5400 or ED5800 Series  
Rim, SecureBolt, and Vertical Rod Exit Devices  
**Wood or Composite Door Preparation**



SUPERSEDES T30856-2 | DO NOT SCALE DRAWING  
TEMPLATE NUMBER T30856-3 | DATE 10-01