

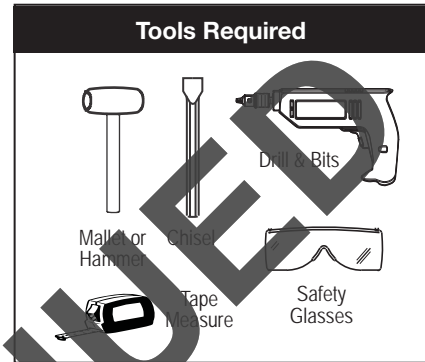
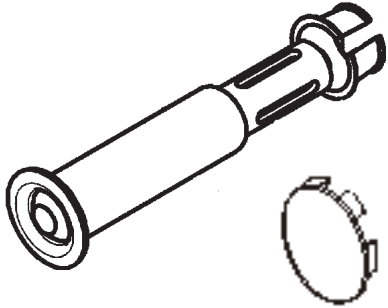
744F688

For additional information or assistance, contact Corbin Russwin at 888-607-5703 or www.corbinrusswin.com

ASSA ABLOY, the global leader in door opening solutions

Installation Instructions for Thermal Pin

For use on 5000 Series -ED5470B SVR and ED5860B CVR Fire Rated Doors with Less Bottom Rod (M55).

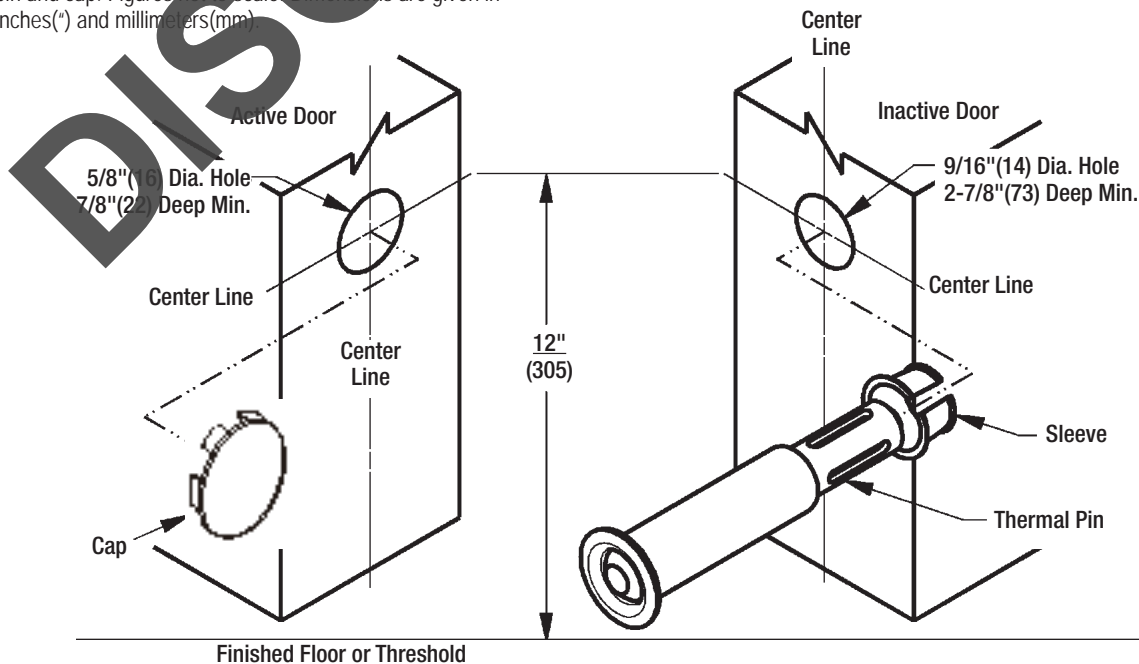


NOTES:

- This device is designed to be installed horizontally between door leafs or vertically between door leaf and finished floor.
- This device may be installed on single or double doors.
- Extreme heat will activate this device.
- Install door(s) per the manufactures' instructions. The doors should be square and plumb and have the correct gaps between the door(s) and finished floor.
- Note dimensions on figures to ensure correct location of pin and cap. Figures not to scale. Dimensions are given in inches(*) and millimeters(mm)

For Horizontal Installation Between Door Leafs:

1. Drill 5/8"(16) diameter hole as shown in "Active" leaf of door edge. Install cap (plug). (Do not install in stationary door).
2. Drill 9/16"(14) diameter hole as shown in "Inactive" leaf of door edge. Chisel out debris to smooth.



744F688

For additional information or assistance, contact Corbin Russwin at 888-607-5703 or www.corbinrusswin.com

ASSA ABLOY, the global leader in door opening solutions

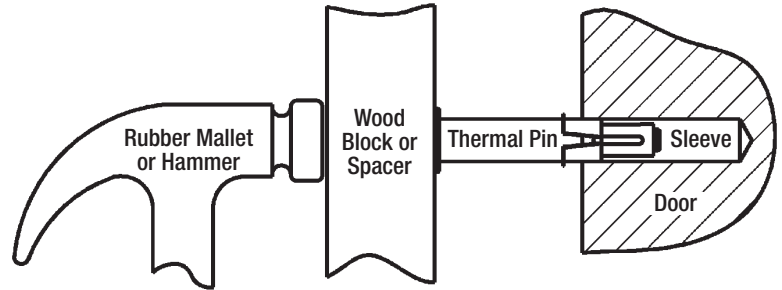
For Horizontal Installation Between Door Leafs:
(Continued)

3. Install thermal pin as follows:

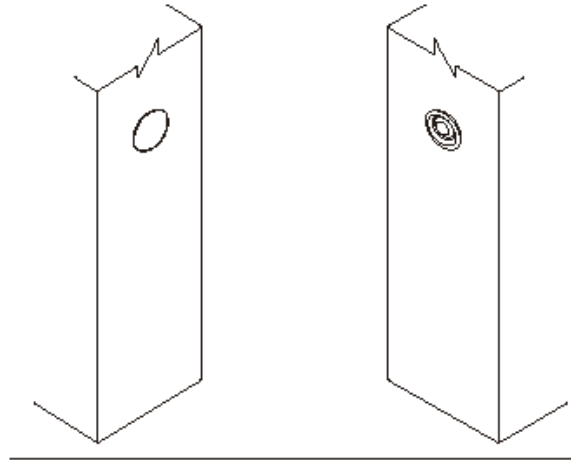
- **METAL DOORS:** First insert sleeve into door then insert pin. Use a wood block as spacer, gently tap pin into door until flush with edge.
- **WOOD DOORS:** First insert sleeve into pin, then insert into door. Use a wood block as spacer, gently tap combined pin and sleeve into door until flush with edge.

4. Install cap plug.

Horizontal Installation



Complete Installation



U.S.A.

Corbin Russwin, Inc.

Product Support Tel 888.607.5703 • www.corbinrusswin.com

Canada

Assa Abloy Door Securities

Product Support Tel 800.461.3007 • www.assaabloy.com

International

Assa Abloy Americas International

Product Support Tel 905.821.7775 • www.assaabloyai.com

Corbin Russwin, Inc., an ASSAABLOY Group Brand.

Copyright ©2016 Corbin Russwin, Inc., an ASSA ABLOY Group Company. All rights reserved. Reproduction in whole or in part without the express written permission of Corbin Russwin, Inc. is prohibited. These materials are protected under U.S. copyright laws. All contents current at time of publication. Corbin Russwin, Inc. reserves the right to change availability of any item in this document, its design, construction, and/or its materials.