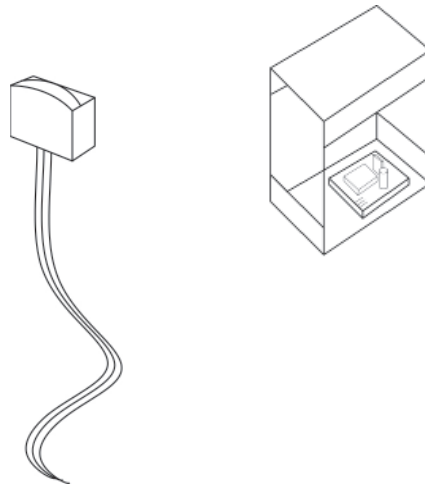


## Model 784 Remote Power Supply

### For:

- Access 800® Access Control Devices
- ED4000 & ED5000 Series x M61 Alarm Exit Devices
- ED40AK & ED50AK Series Alarm Exit Kits  
with ElectroLynx® Connector System



### Important:

- This power unit is intended to be correctly oriented in a vertical or floor mount position.
- Remove alkaline batteries from the Access 800® Series controller before connecting to Power Supply.
- Always exercise extreme caution when working with electricity. Power should be disconnected when connections to terminals are made.

# Model 784 Remote Power Supply

## Installation Instructions

### 1

#### Required Components for Access 800® Series

- Access 800® Series Power/Remote Unlocking Harness (793F069)-7" harness (Ref: M35) for ElectroLynx® door.
- Power Transfer Device  
ElectroLynx® doors - QC (quick connect) electric hinge with wires/8-pin connectors.  
Optional Harness Numbers:  
(709F879)-36" harness for retrofitting doors with straight through wire run to QC (quick connect) hinge. Leads come pinned. Connector installed in field after wire run.
- Non ElectroLynx® doors - Concealed Circuit Hinge or alternative.  
(709F889)-180" harness for doors without straight through wire run such as metal reinforced doors without connector system or pin wires and. Add 8-pin connector for ElectroLynx® doors with connectors.

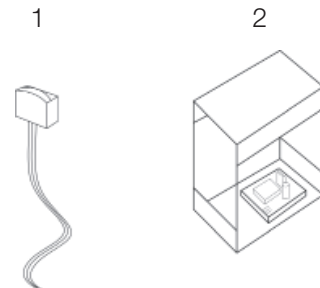
### 2

#### Remote Power System Components

1	793F049	Plug-in Wall Transformer
2	794F309	9 VDC Power Supply Circuit Board
Not Shown	793F059	Cable Assembly - Power Supply to Power Transfer

Model 784 (P/N 793F039)

Remote Power Supply



### 3

#### General Description

Corbin Russwin's 784 (9VDC, 700ma) Regulated and Filtered Power Supply has been designed for use with the Access 800® Series Access Control Products and Alarmed Exit Devices as an alternative, remote power source for stand alone units.

### 4

#### Specifications

Enclosed Power Supply Module - Provides regulated 9VDC to stand alone units.

Power/Remote Unlocking Harness - (793F069) (Ref: M35) Connects Access 800® Series controller to ElectroLynx® raceway harness 8-pin connector.

Plug-in Wall Transformer 16.5 VAC, 2.4 Amps (UL/cUL Listed) - 793F049 provides input voltage to enclosed Power Supply Module.

# Model 784 Remote Power Supply

## Installation Instructions



**ASSA ABLOY**

### 5

#### Installation/Connection Instructions

These instructions are provided in addition to the instructions packaged with the Access 800® Series Access Control Products and Alarm Exit Devices and should be read completely before any installation is attempted.

Each 784 Power Supply can supply power to:

2 - Access 800 Series Locks and Exit Trim

6 - Alarm Exit Devices (ED4000 and ED5000) or Alarm Exit Kits (ED40AK and ED50AK).

Refer to Section 8 for installation and wiring Access 800® Series Locks and Exit Trim.

Refer to Section 9 for installation and wiring Alarm Exit Devices.

### 6

#### Connector System Notes

The system is designed to be installation friendly. The only wiring required is to the loose wires on the pigtail harness assembly on the frame side of the electric hinge.

### 7

#### Installation Notes

1. With new applications, a raceway harness with 8 and 4 pin ElectroLynx® connectors will be pre-installed inside doors manufactured by ASSA ABLOY door manufacturers when specified during ordering process.
2. Wiring to pigtail harness is per facility wiring requirement. The rail, raceway, electric hinge and pigtail connector terminations and wire colors all match.
3. If door does not have a raceway harness with ElectroLynx® connectors, either consult factory for raceway retrofit kit or cut connectors off product and hard wire as required per local code.

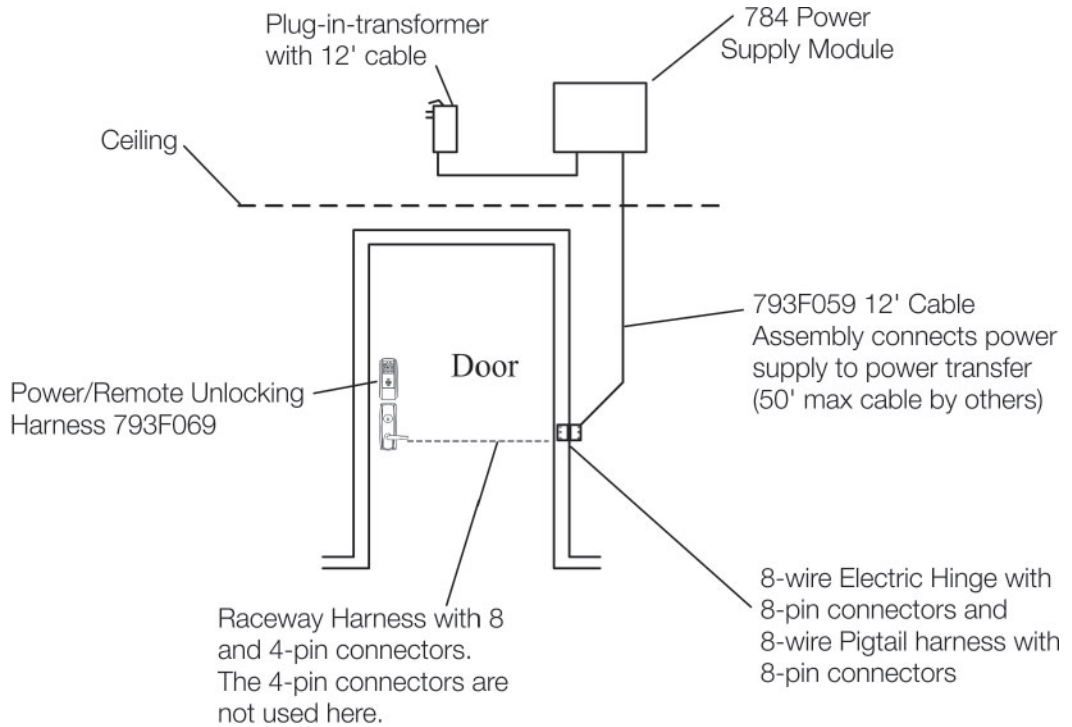
# Model 784 Remote Power Supply

## Installation Instructions

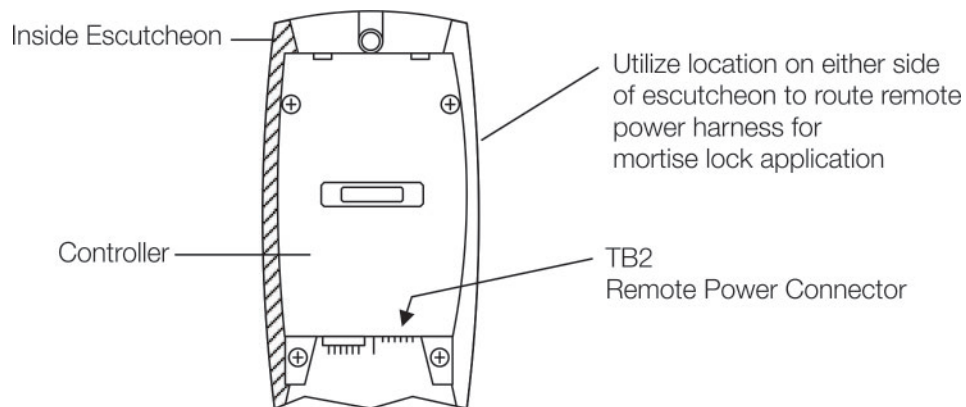
**8**

### Installing & Wiring Access 800® Series Locks and Exit Trim to 784 Power Supply

1. **Important: Remove the six AA batteries from the Access 800® Series Controller.**
2. Mount the Power Supply Module within 12' wire run to the electric hinge. The 120VAC power source must be within 12' of Power Supply Module.



3. Connect Power/Remote Unlocking Harness to TB2 on the controller.



# Model 784 Remote Power Supply

## Installation Instructions

8

### Installing & Wiring *Access 800* Series Locks and Exit Trim to 784 Power Supply

4. Mount the escutcheon on the door following the instructions provided with the unit.

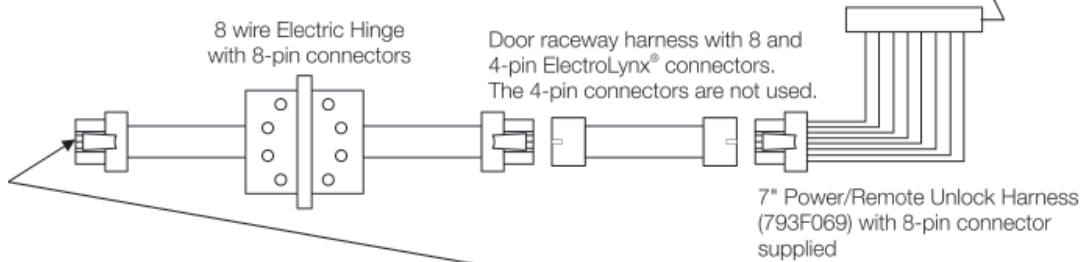
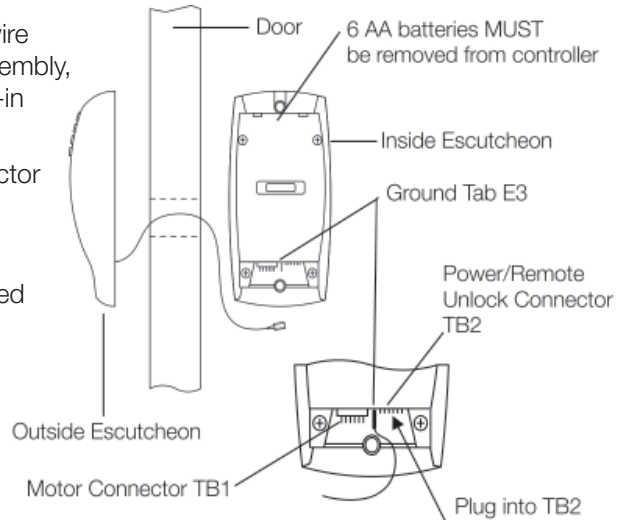
Access 800® Cylindrical Lock CL33834

Access 800® Mortise Locks ML20833, ML20834, ML20835, ML20836

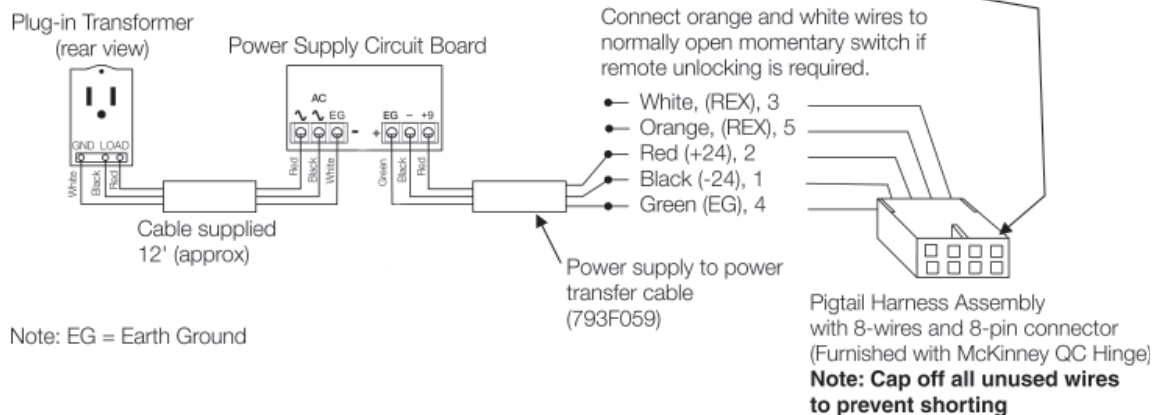
Access 800® Exit Device Trims 9833, 9834, 9M833, 9M834

**NOTE: Be sure to connect the “Quick Connect” end of the ground wire to “E3” on the controller assembly.**

- A. Refer to system wiring diagram and wire all connections to Pigtail Harness Assembly, Power Supply Circuit Board and Plug-in Transformer as indicated.
- B. Plug Pigtail Harness Assembly connector into Electric Hinge 8-pin connector.
- C. Connect (optional) battery if required.
- D. Wire remote unlock option as indicated if required.
- E. Ensure all wiring is correct then plug the Plug-in Transformer into a 120VAC outlet then test lock.



#### 784 (9 VDC Power Supply)



# Model 784 Remote Power Supply

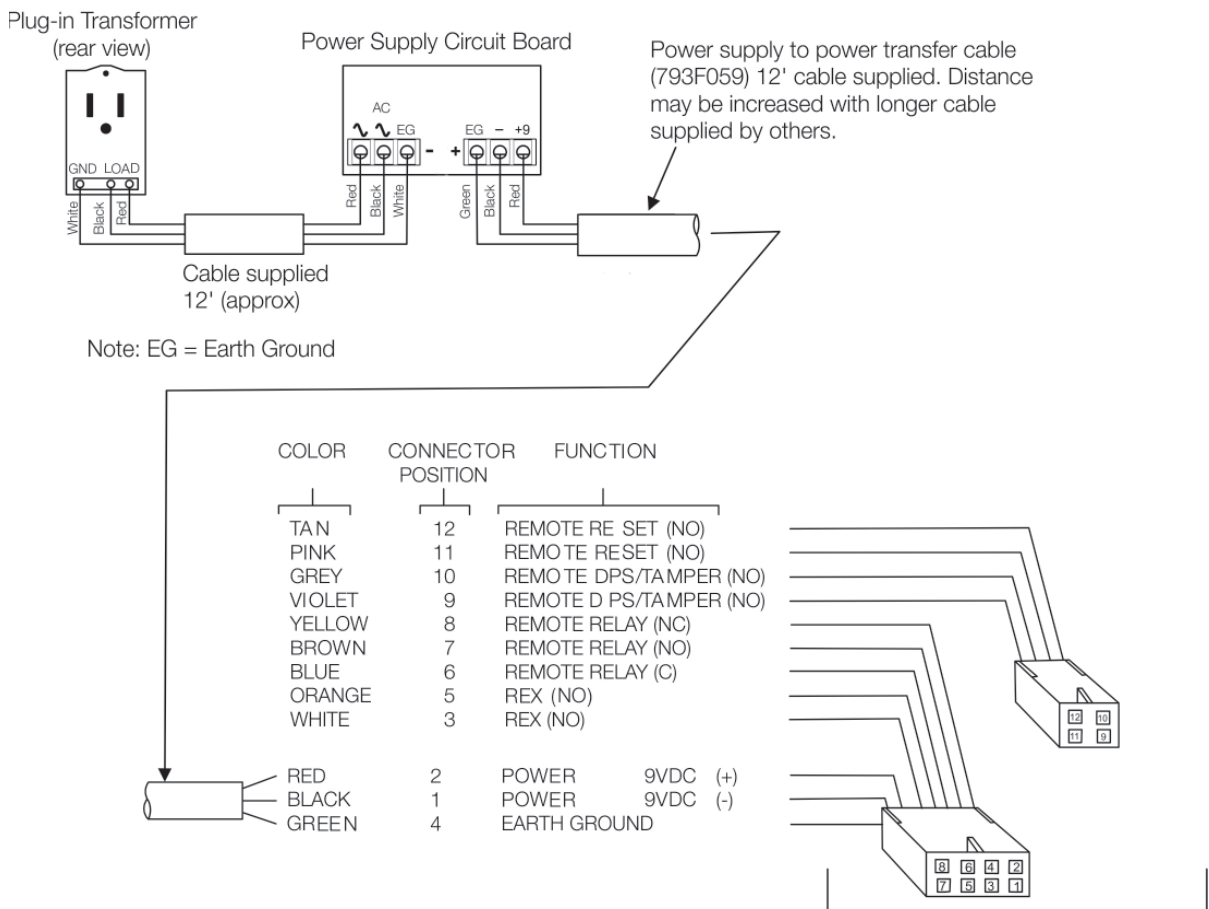
## Installation Instructions

9

### Installing & Wiring ED4000 & ED5000 Series x M61 Alarm Exit Devices and ED40AK & ED50AK Alarm Exit Kits to 784 Power Supply

1. **Important: Remove 9 volt battery from Alarm Exit PC Board.**
2. Mount the Power Supply Module. If using cable (793F059) supplied, mount module with 12' wire run to the electric hinge (power transfer). The Power Supply Module may be located further than 12' (50' Max). Additional cable required to be supplied by others.
3. Refer to system wiring diagram below and wire all connections to Power Supply Circuit Board and Plug-in Transformer as indicated.

#### 784 (9 VDC Power Supply)



**NOTE: Cap off all unused wires to prevent shorting**

# Model 784 Remote Power Supply

## Installation Instructions



ASSA ABLOY

9

### Installing & Wiring ED4000 & ED5000 Series x M61 Alarm Exit Devices and ED40AK & ED50AK Alarm Exit Kits to 784 Power Supply

4. Connect ED4000 or ED5000 Series Alarm Exit Device to 9VDC (+) 9VDC (-) and Earth Ground utilizing ElectroLynx® Connector System. An Alarm Hardwire Harness will be required to connect to the Alarm Exit PC Board. This harness is available as an option (Ref: M35) when ordered with an Alarm Exit Device. The harness can also be ordered separately by specifying the following part numbers.

For all Alarm Exits except Surface Vertical Rod (SVR):

- 709F989 Alarm Hardware Harness (36" Device)
- 709F999 Alarm Hardware Harness (48" Device)

For SVR Alarm Exits:

- 720F309 SVR Alarm Hardware Harness (36" Device)
- 720F319 SVR Alarm Hardware Harness (48" Device)

Refer to instructions FM248 (latest revision) packed with Alarm Hardwire Harness for connections to the Alarm Exit PC Board.

5. Ensure all wiring is correct then plug the Plug-in Transformer into a 120VAC outlet. Test alarm device.

An ASSA ABLOY Group brand



Corbin Russwin  
225 Episcopal Road  
Berlin, CT 06037  
Phone: 800-543-3658  
Fax: 800-447-6714  
[corbinrusswin.com](http://corbinrusswin.com)