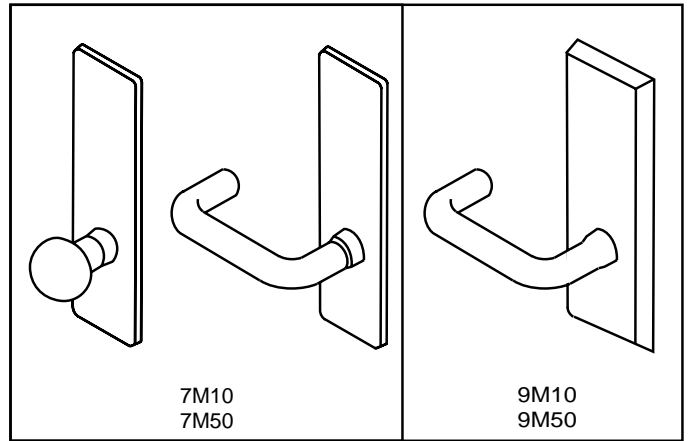


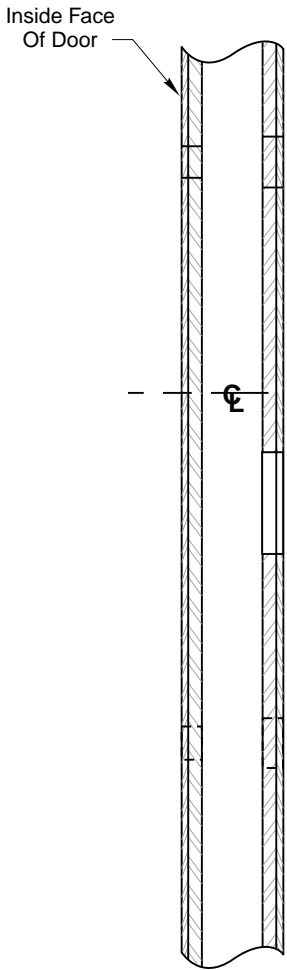
**Notes:**

1. This template is an addition to the device template. Locate centerlines using horizontal and vertical references on device template.
2. Do not scale drawing.
3. Dimensions are in inches (mm).
4. LHR door shown. Preparation is typical for both door hands.
5. For door reinforcement see template T30800.
6. Prepare mounting holes when installing trim.
7. Provide adequate internal support to prevent door deformation after trim is bolted to the device.

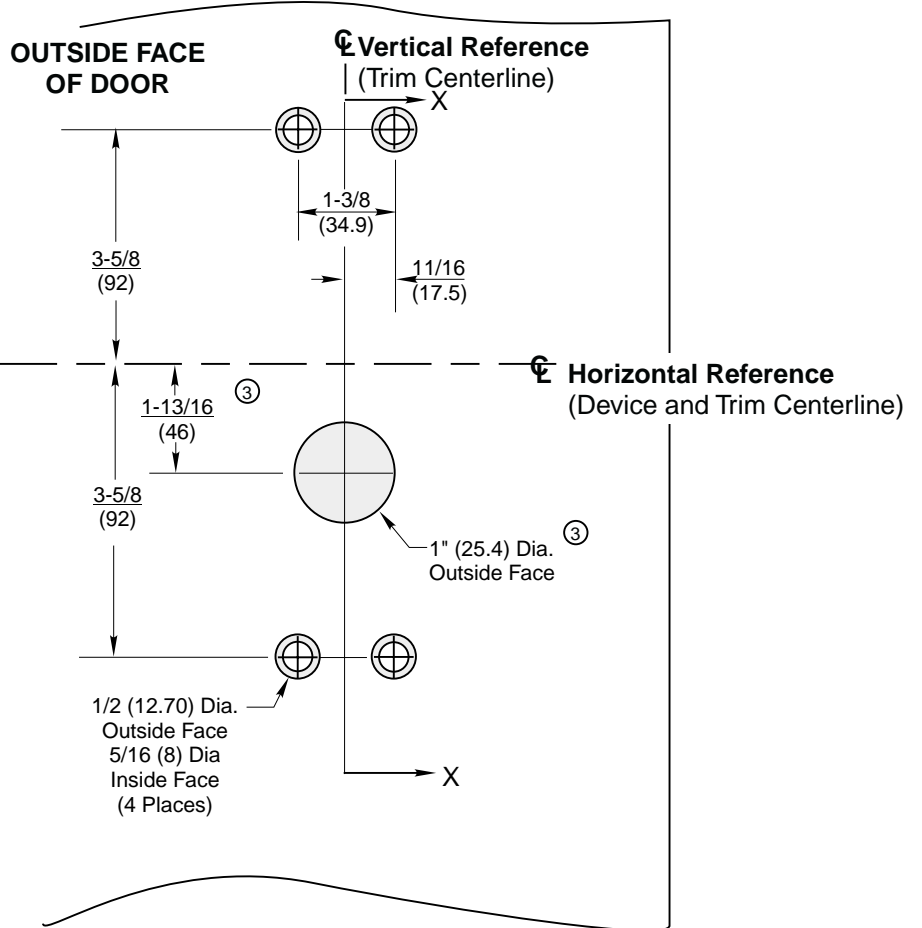


③

**Note: Lever and knob prefix does not affect door prep.**



Section X - X



**7M10, 7M50, 9M10 or 9M50 Series Trim  
With ED5600 Series Mortise Exit Devices  
Metal Door Preparation**



SUPERSEDES T30830-2 DO NOT SCALE DRAWING  
TEMPLATE NUMBER T30830-3 DATE 10-01