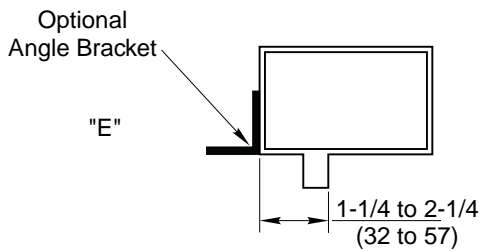
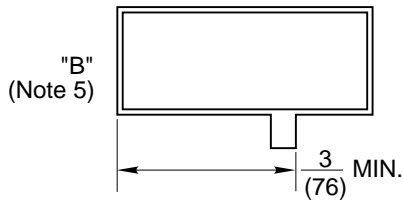
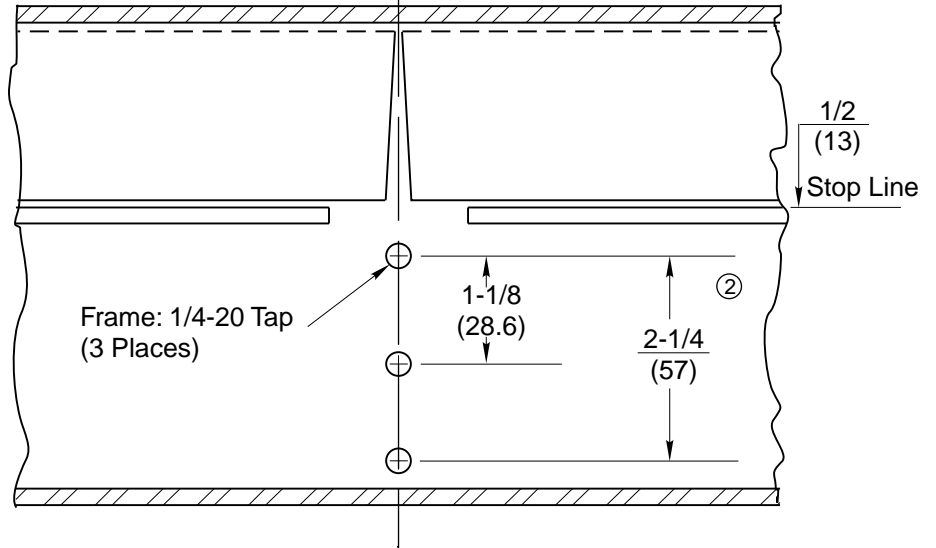


View X-X (Typical Soffit and Floor Prep)

**Notes:**

1. Do not scale drawing.  
Dimensions are in inches(mm).
2. 808 Mullion is made from 1-1/4 x 3 (31.8 x 76.2) aluminum extrusion.
3. Mullion has built-in strike for ED4200 Series exit devices. Locate device from mullion face as shown on template T30884, at installation.
4. Prepare mounting holes when installing the mullion.
5. Doors and frames should provide solid engagement to not less than (3) full screw threads.



**808 Mullion  
Frame Preparation**



www.corbinrusswin.com

SUPERSEDES T30885-1 DO NOT SCALE DRAWING

TEMPLATE NUMBER **T30885-2** DATE **4-01**