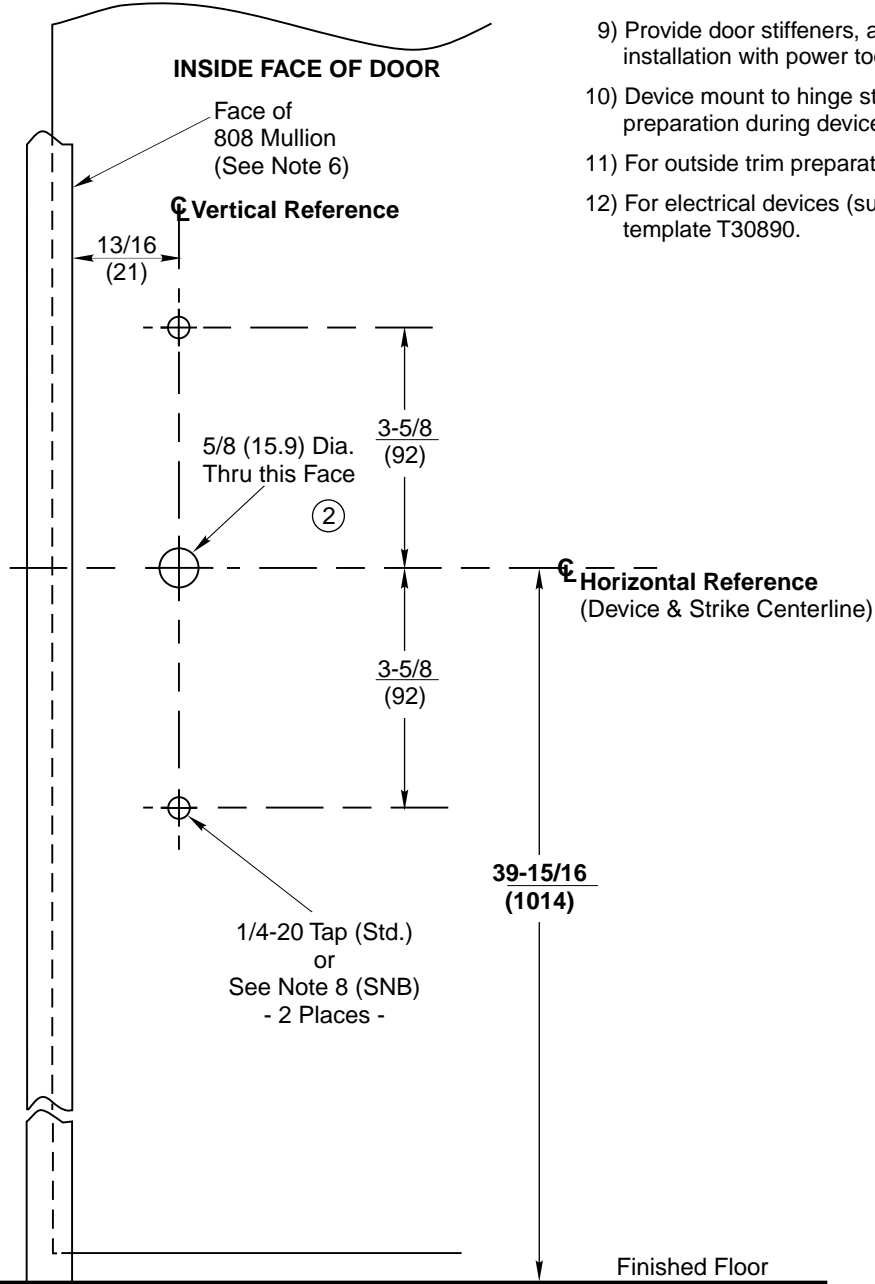


Notes:

- 1) Do not scale drawing.
- 2) Dimensions are in inches(mm).
- 3) LHR door shown. Preparation is typical for both door hands.
- 4) Minimum door stile width: 2-1/4 (57).
- 5) Prepare mounting holes when installing the device.
- 6) For 808 mullion installation see template T30885.
- 7) For recommended door reinforcements see template T30800. Unreinforced doors require SNB option to mount the device components.
- 8) Holes for optional SNB: 9/32(7.00) dia., inside door face; 3/8(9.50) dia., outside door face.
- 9) Provide door stiffeners, as needed to prevent door collapse due to installation with power tools, door use, or abuse.
- 10) Device mount to hinge stile (not shown) requires holes location and preparation during device installation.
- 11) For outside trim preparation see appropriate trim template.
- 12) For electrical devices (suffixes M91, M92, M93, M94, M97,D) also see template T30890.

②



ED4200 Series Narrow Stile Rim Panic Devices with 808 Mullion
Application for a Pair of Aluminum or Metal Doors



SUPERSEDES T30884-1	DO NOT SCALE DRAWING
TEMPLATE NUMBER	DATE
T30884-2	2-03