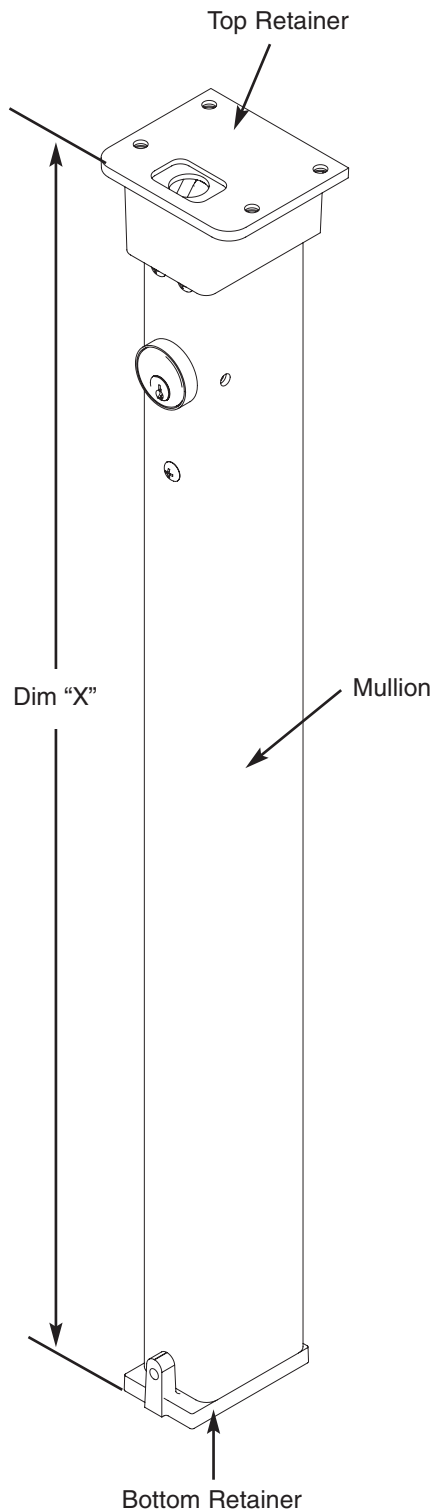


# INSTALLATION INSTRUCTIONS FOR 907BKM, 908BKM and 910KM MULLIONS

**Corbin  
Russwin**

**ASSA ABLOY**

FM278 2/08 (617417805)



## Tools Required:

- Measuring Tape
- Pencil
- Drill & Tap Sizes: #7 drill and 1/4"-20 tap
- Concrete Drill: 3/8" diameter
- Center Punch
- Hammer
- #3 Phillips Screw Drivers
- 5/64" Allen Wrench
- 1/8" Allen Wrench

## To install Mullion in frame

1. Close and block the doors against the frame stops. Check gap between door leaves and door to frame and correct if necessary.
2. Locate the center of the opening on the floor. Using the Bottom Retainer, mark the positions for the two drop-in fasteners.
  - a. The bottom of the door should come to rest against the surface of the Mullion.
  - b. Modify threshold as required.
3. Drill (2) 3/8" diameter holes in floor with cement bit to a minimum depth of 2-1/2".
4. Fasten Bottom Retainer to floor.
5. Locate the center of the opening on the top of the frame. Using the Top Retainer, mark the positions for the (4) fasteners.
  - a. The door should evenly rest against both the frame stop and the Mullion.
  - b. If a Top Retainer mounting kit is used, modify weather-stripping as required.
6. Drill and tap each location for 1/4"-20 fasteners.
7. Mount Top Retainer on frame with provided fasteners.
8. Measure "Dim X" as shown. Remove material from the bottom of the Mullion per the formula: length of Mullion = "Dim X" - 3/4".

**Note**—This leaves approximately 1/8" clearance between the Mullion and the Top Retainer when mounted.

# INSTALLATION INSTRUCTIONS FOR 907BKM, 908BKM and 910KM MULLIONS

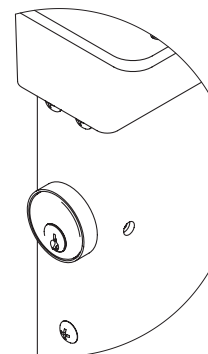
**Corbin  
Russwin**

**ASSA ABLOY**

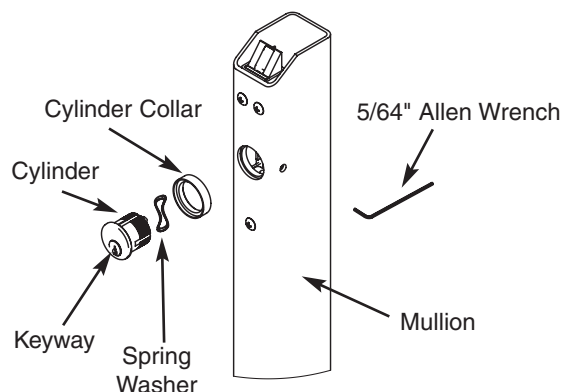
FM278 2/08 (617417805)

## 9. Installation of Cylinder

- Depress latchbolt and hold fully retracted.
- Carefully thread Cylinder with Cylinder Collar and Spring Washer into lock assembly until it bottoms out.
- Unscrew the Cylinder orienting keyway at bottom.
- Release latch bolt. Note: If latch bolt is not fully projected loosen Cylinder an additional 1-2 full turns.
- Tighten set screw with 5/64" Allen Wrench through access hole in side of Mullion.
- Check operation of Cylinder and lock assembly.  
**Note:** Key only turns counter-clockwise.

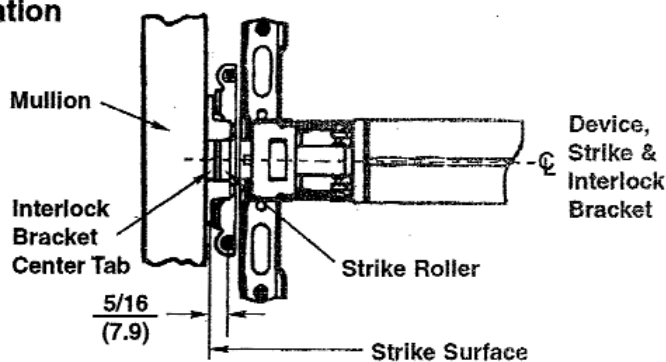
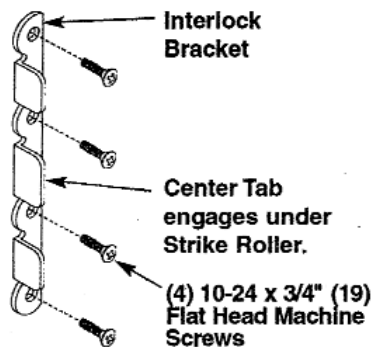


- Place Mullion onto Bottom Retainer and pivot into opening to latch.
- Tighten Bottom Retainer set screw to prevent Mullion rattle.
- Install exit devices according to manufacturer's instructions.
- Fire rated Rim and SecureBolt® Exit Devices:**  
After exit devices and strikes have been assembled, install Interlock Brackets with (4) #10-24 x 3/4" screws as shown in illustration below.



## Interlock Installation

**Interlock Bracket Required for Fire Rated SecureBolt® and Rim Exit Device with Mullion.**



- Position strike Interlock Bracket in place, as shown. Locate bracket holes.
- Prepare Interlock Bracket mounting holes and mount with (4) 10-24 x 3/4" (19) screws (and SNB's when applicable).

Corbin Russwin, Inc.  
225 Episcopal Road  
Berlin, CT 06037-4004  
www.corbinrusswin.com

**Technical Product Support**  
Phone: 888-607-5703  
Fax: 800-659-7293

Canada: ASSA ABLOY DSS Canada  
160 Four Valley Drive  
Vaughan, Ontario L4K 4T9  
www.assaabloycanadadss.ca

Copyright © 2008 Corbin Russwin, Inc. All rights reserved. Reproduction in whole or in part without the express written permission of Corbin Russwin, Inc. is prohibited.

2

ASSA ABLOY is the global leader in door opening solutions, dedicated to satisfying end-user needs for security, safety and convenience.