

INSTALLATION INSTRUCTIONS

988/988CR/988Y Surface Bolt

ASSA ABLOY

The global leader in door opening solutions

INSTALLATION PROCEDURE

1. Strike Mounting:

- Determine if bolt is to be mounted at top (1-1) or bottom (1-2) of door.
- A 2¾" backset is recommended.

1-1. Top of Door (frame mounted strike):

- Locate strike on frame as shown and mark hole locations. For Windstorm Strike, factory frame preparation is supplied.
- Drill and tap for ¼"-20 machine screws (#8 drill and ¼"-20 tap are required).
- Secure strike with three (3) ¼"-20 x ¾" screws (supplied).

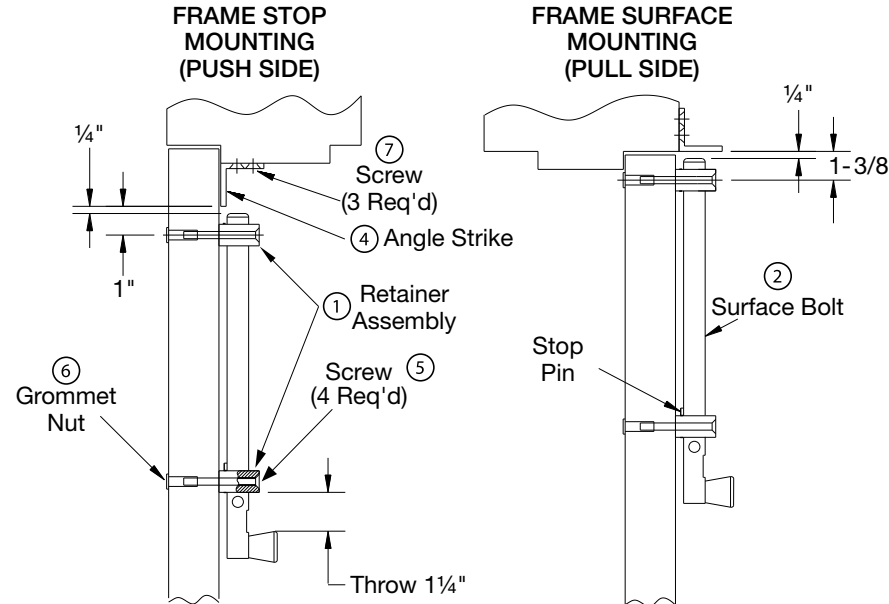
1-2. Bottom of Door (floor mounted strike):

- 1-1/8" dia. x 1½" deep hole required in floor to accept surface bolt.
- Mark and drill two (2) 7/16" dia. x 1¼" deep holes for strike anchors.
- Secure strike with two (2) anchors and ¼"-20 x ¾" screws (supplied).

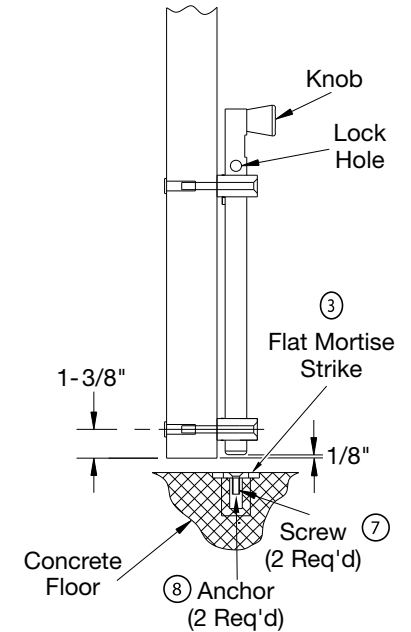
2. Surface Bolt Mounting:

- Slide knob end retainer to stop pin.
- Locate surface bolt and retainers on door as shown. Mark location of through-bolts.
- Check bolt alignment in strike before drilling holes.
- Drill four (4) 9/32" dia. holes through door.
- Open holes for grommet nuts on opposite side of door using "V" size drill.
- Secure retainers to door using grommet nuts and ¼"-20 x 2-5/8" screws (supplied).
- Check for proper operation.

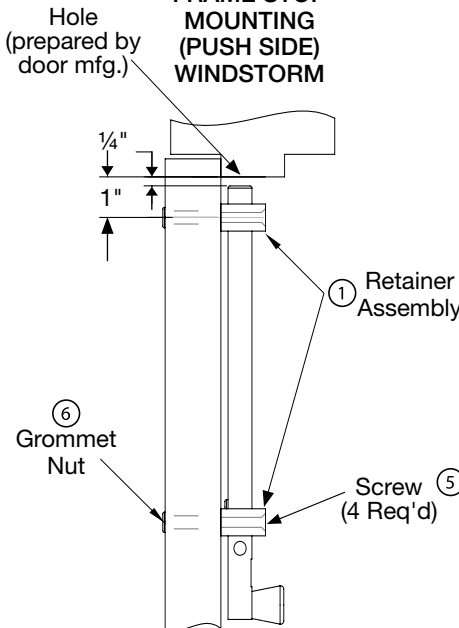
TOP OF DOOR MOUNTING (1-1)



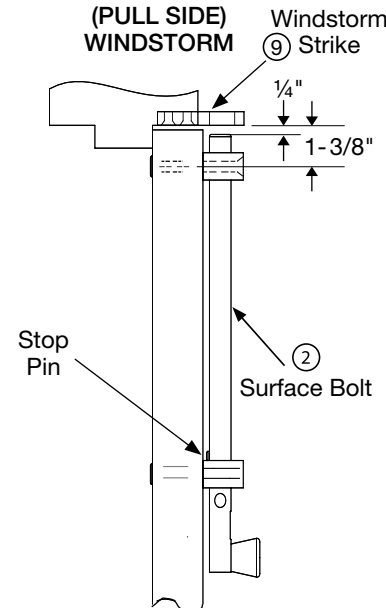
BOTTOM OF DOOR MOUNTING (1-2)



FRAME STOP MOUNTING (PUSH SIDE) WINDSTORM



FRAME RABBET MOUNTING (PULL SIDE) WINDSTORM



Item	Description	Qty.
1	Retainer	2
2	Surface Bolt	1
3	Flat Mortise Strike	1
4	Angle Strike	1
5	Screw, ¼-20 x 2-5/8"	4
6	Grommet Nut	4
7	Screw, ¼-20 x ¾"	3
8	Anchor	2
9	Windstorm Strike	1

NOTE: Parts used depend on mounting application.