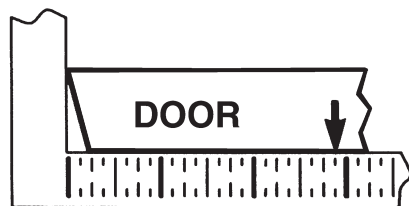
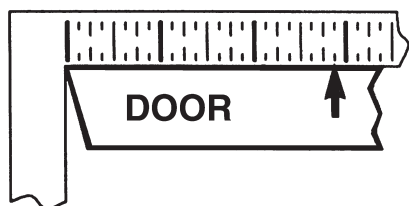


# Installation Instructions

1. Check box for contents. See previous page for components
2. After marking door inside face for device location (Device Instructions), transfer "Vertical Reference Centerline" from inside to outside door face. Follow steps 2a. and 2b. below.
3. Transfer "Horizontal Reference Centerline" from inside to outside door face.
4. Align trim template and tape to outside door face. **CAUTION:** Office copiers and facsimile machines may change the size of a drawing and make the template inaccurate to use as a door marker. If this is not the original template packed with the trim, use only the dimensions written on the template to locate the holes on the door (do not use the template as a door marker).
5. Spot holes and prepare door for trim.
6. **For \*9M10 Passage Function:**  
Be sure mortise lock is unlocked before installing trim.
7. **For \*9M50 Dummy Trim:**  
Be sure mortise lock is locked before installing trim. To change to locked or unlocked mode, reach into cylinder hole of mortise lock with finger or screwdriver and move lever until it clicks into locked or unlocked position.
8. **For \*9M55 and \*9M57 Functions:**  
Thread cylinder into mortise lock until seated within escutcheon recess with keyway positioned vertically and with plug in lower cylinder as shown in Figure 1. Tighten cylinder locking screw thru mortise lock front.
9. Continue as shown in device instructions.



2a. MEASURE INSIDE LINE LOCATION.



2b. TRANSFER DIMENSION TO OUTSIDE FACE.

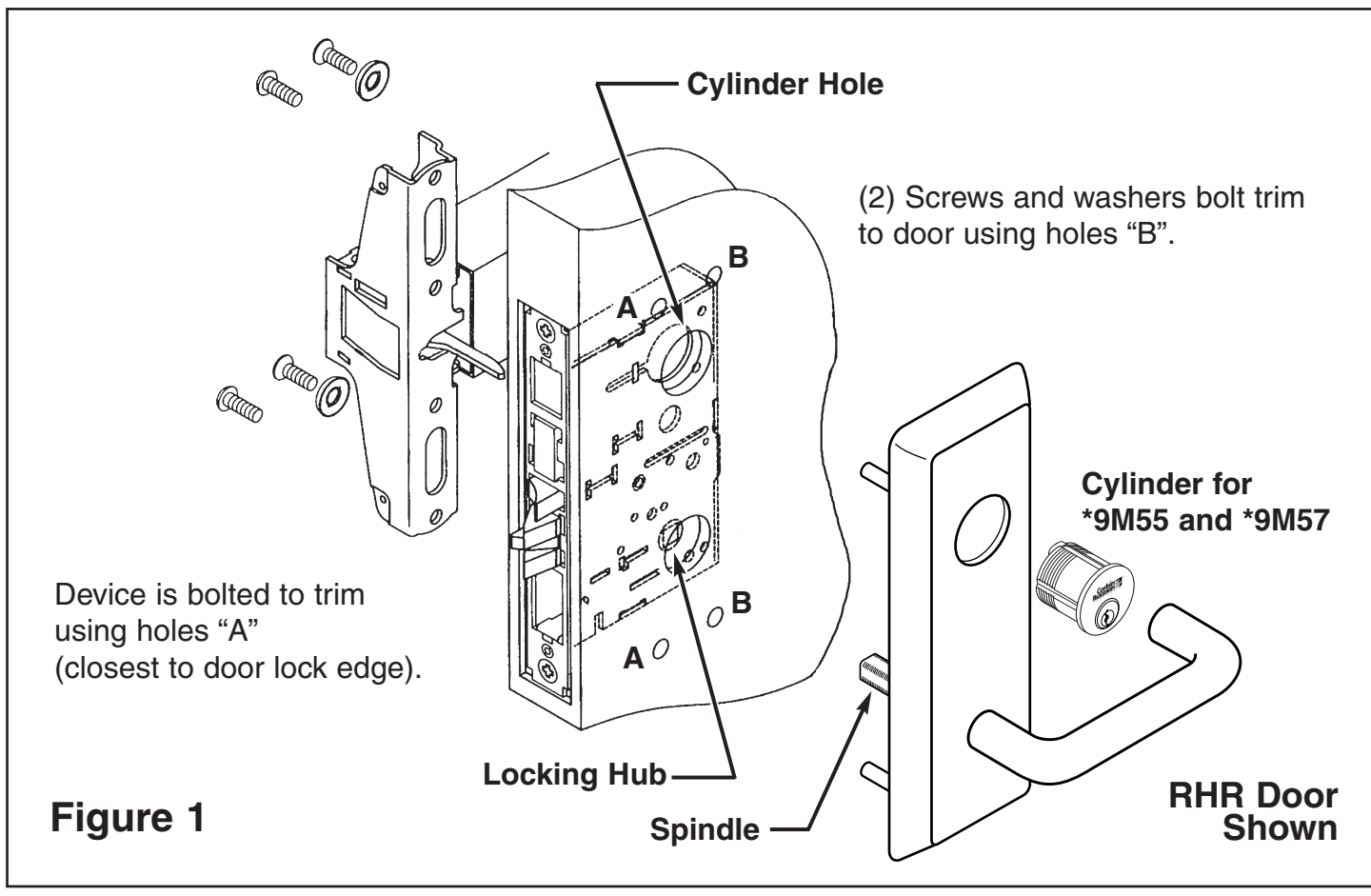


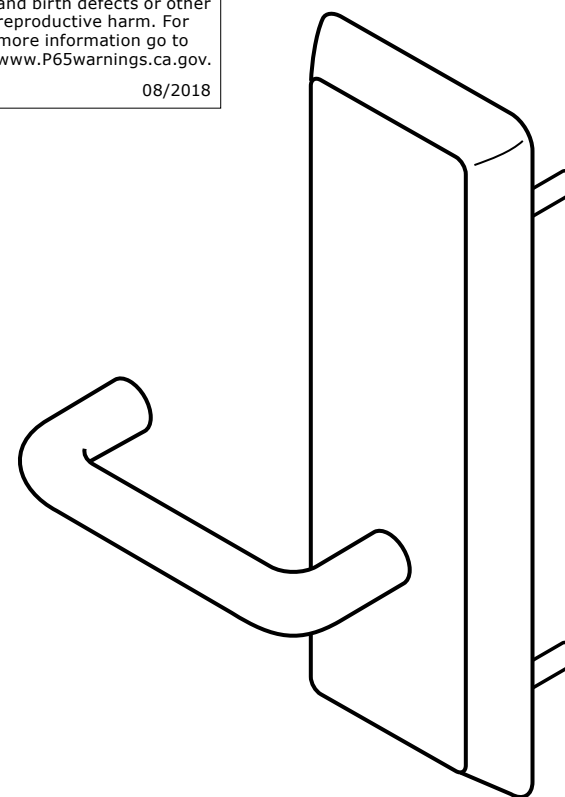
Figure 1

# \*9M10 and \*9M50 SERIES \*9M55 and \*9M57 SERIES HEAVY DUTY MORTISE TRIM

For use with ED5600 Series Exit Device (Wood and Metal Doors)

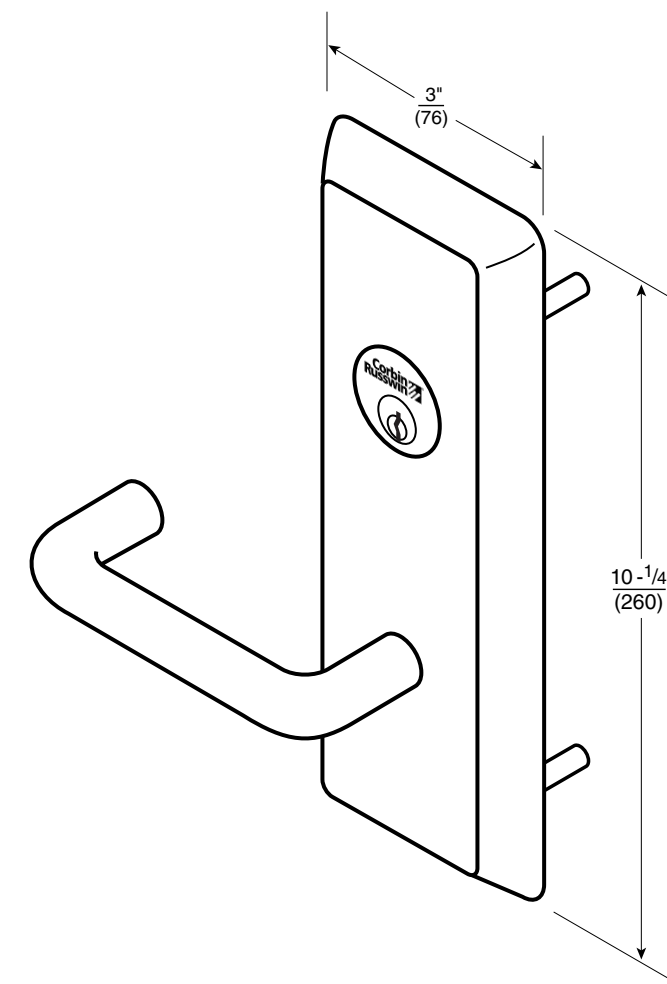
FM 197 10/18

**WARNING**  
This product can expose you to lead which is known to the state of California to cause cancer and birth defects or other reproductive harm. For more information go to [www.P65warnings.ca.gov](http://www.P65warnings.ca.gov).  
08/2018



**\*9M10 SERIES**  
PASSAGE FUNCTION  
Handed (RHR or LHR)  
Lever Always Active

**\*9M50 SERIES**  
DUMMY TRIM  
Handed (RHR or LHR)  
Rigid Lever



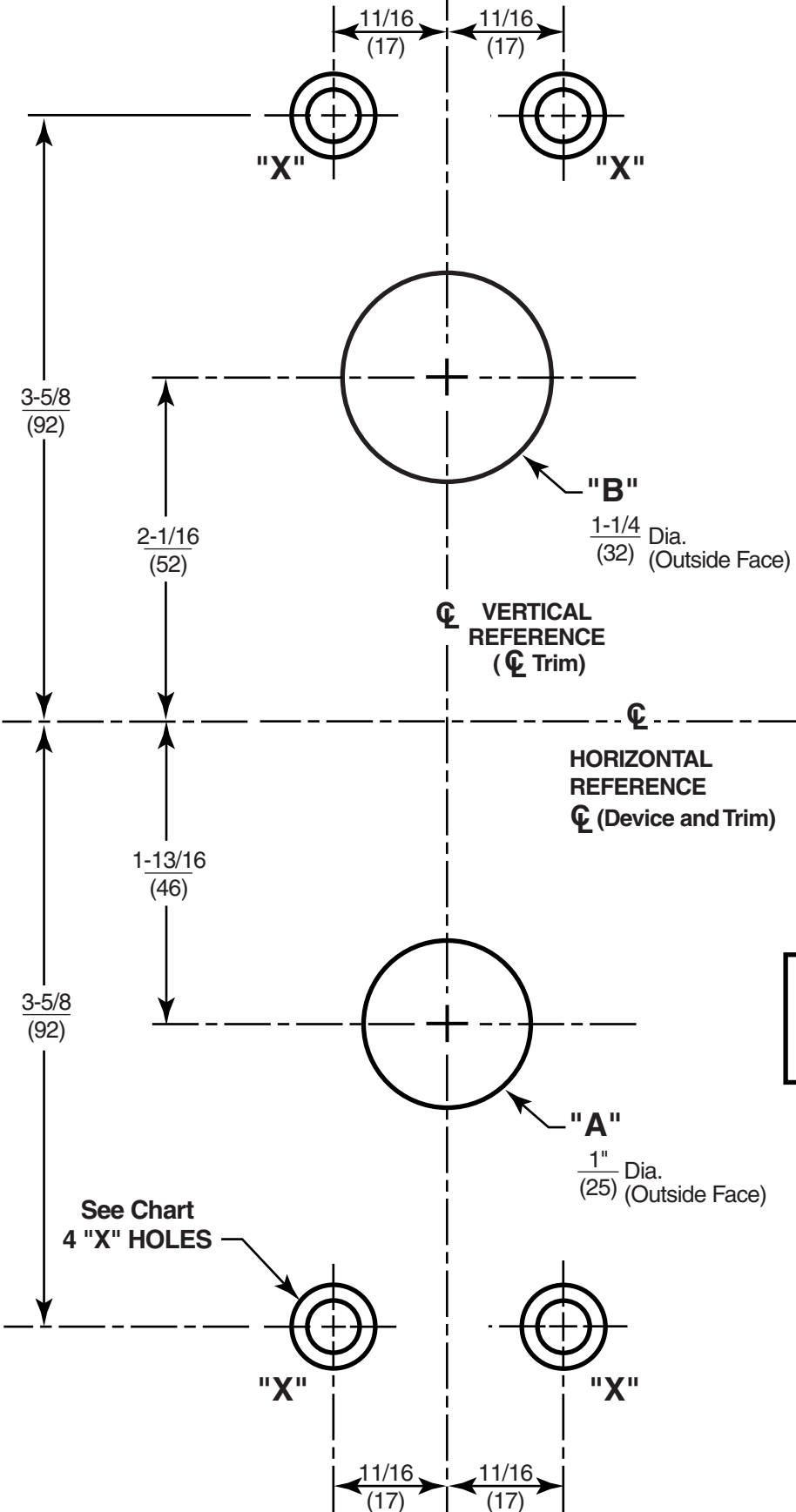
**\*9M55 SERIES**  
CLASSROOM FUNCTION  
Handed (RHR or LHR)

**\*9M57 SERIES**  
NIGHTLATCH FUNCTION  
Handed (RHR or LHR)  
Rigid Lever

\* Represents prefix letter(s) for various lever designs.

ASSA ABLOY, the global leader in door opening solutions

# Outside Door Face

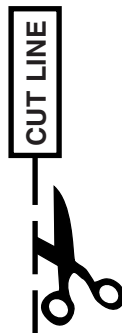


# Trim Template

<b>HOLES MARKED "X" (4 Places)</b>	
<b>METAL DOORS:</b>	
Inside Face	5/16" (8) Dia.
Outside Face	1/2" (13) Dia.
<b>WOOD DOORS:</b>	
	1/2" (13) Dia. Thru

Dimensions given in  $\frac{\text{Inches}}{\text{(mm)}}$

TRIM	HOLES
*9M10, *9M50	A
*9M55, *9M57	A, B,



In U.S.:  
Corbin Russwin, Inc.  
225 Episcopal Road  
Berlin, CT 06037 USA  
Phone: 800-543-3658

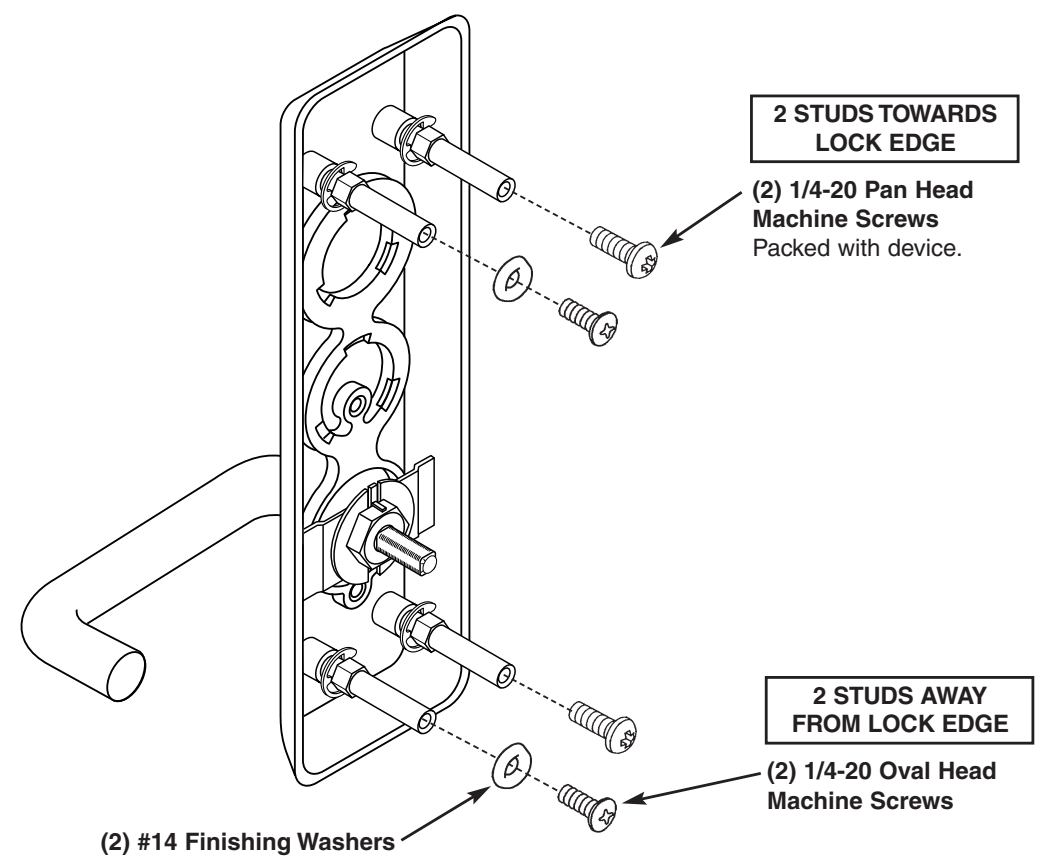
Technical Product Support:  
Phone: 888-607-5703

In Canada:  
ASSA ABLOY Door Security Solutions Canada  
160 Four Valley Drive  
Vaughan, Ontario, Canada L4K 4T9  
Phone: 800-461-3007

# Trim Components



**\*9M10 Series  
\*9M50 Series**



**\*9M55 Series  
\*9M57 Series**

