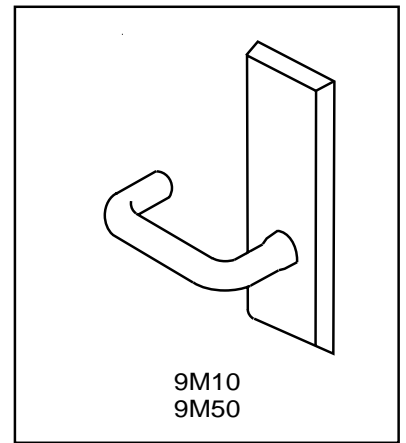
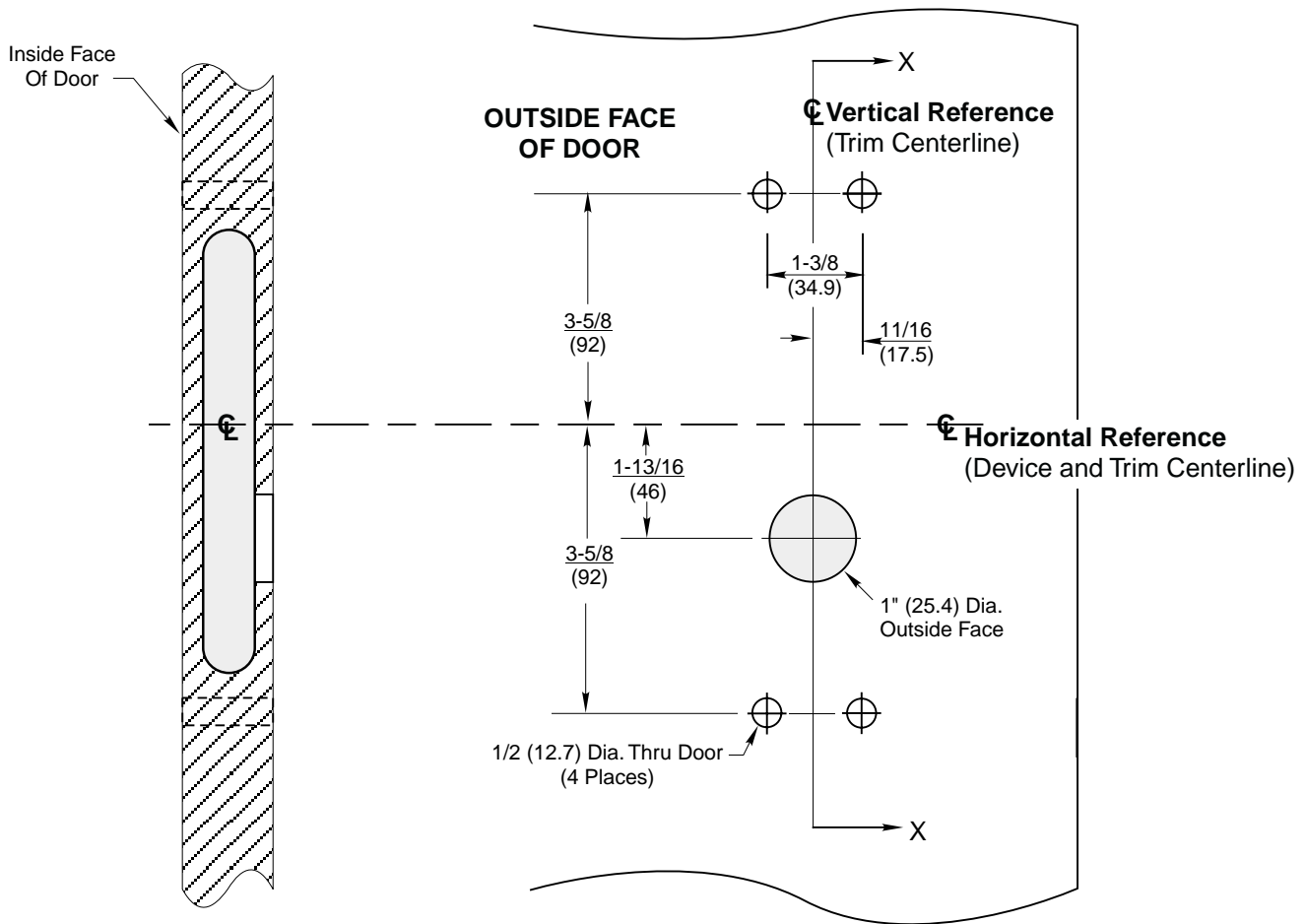


Notes:

1. This template is an addition to the device template. Locate centerlines using horizontal and vertical references on device template.
2. Do not scale drawing.
3. Dimensions are in inches (mm).
4. LHR door shown. Preparation is typical for both door hands.
5. Shaded area represents mortise cavity from device template.
6. Prepare mounting holes when installing trim.
7. Provide adequate structural support to maintain door integrity during operation.



Note: Lever and knob prefix does not affect door prep.



Section X - X

9M10 & 9M50 Series Trim
 With ED5600 Series Mortise Exit Devices
Wood or Composite Door Preparation



SUPERSEDES	DO NOT SCALE DRAWING
TEMPLATE NUMBER	DATE
T30957	10-01