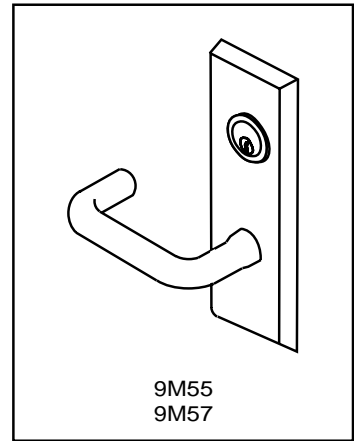


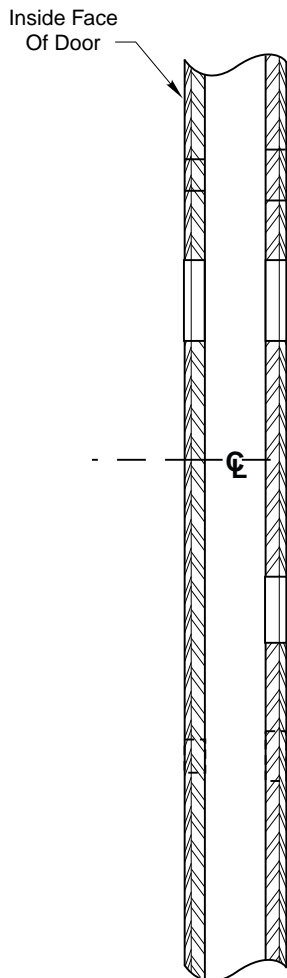
Notes:

1. This template is an addition to the device template. Locate centerlines using horizontal and vertical references on device template.
2. Do not scale drawing.
3. Dimensions are in inches (mm).
4. LHR door shown. Preparation is typical for both door hands.
5. For door reinforcement see template T30800.
6. Prepare mounting holes when installing trim.
7. Provide adequate internal support to prevent door deformation after trim is bolted to the device.

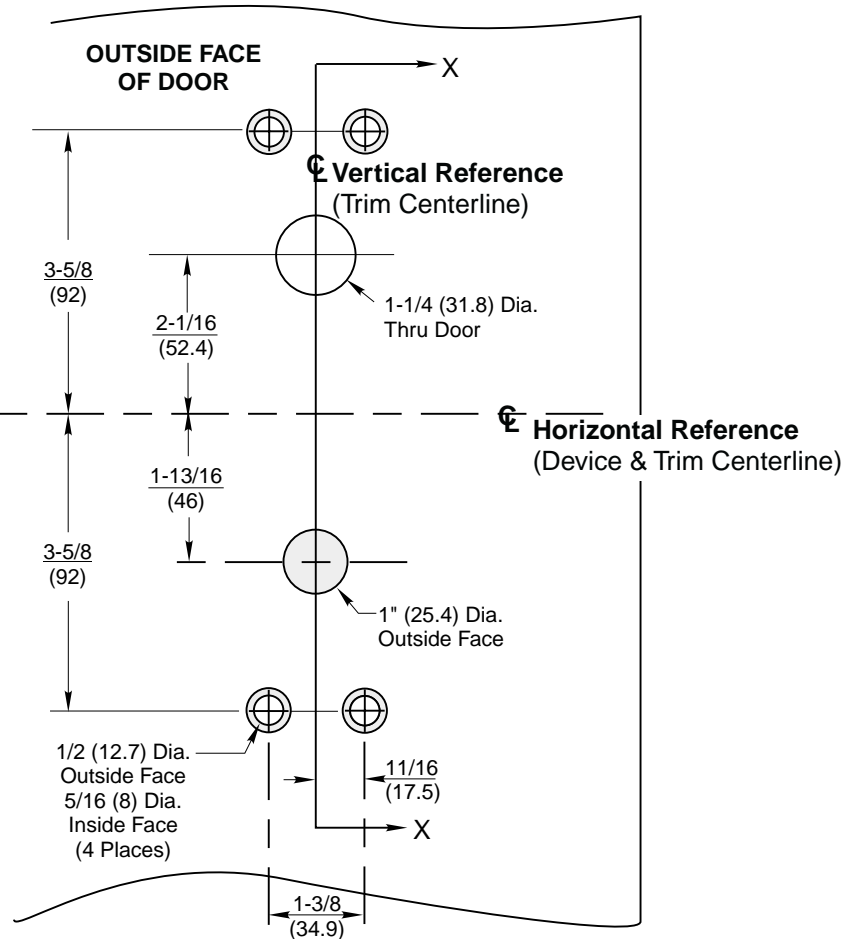


9M55
9M57

Note: Lever and knob prefix does not affect door prep.



Section X - X



9M55 & 9M57 Series Trim
For Use With IK (INTELLIKEY) Exit Devices
ED5600 Series Mortise Exit Devices
Metal Door Preparation

Corbin
Russwin[®]
www.corbinrusswin.com

SUPERSEDES	DO NOT SCALE DRAWING
TEMPLATE NUMBER	DATE
T30964	11-01