

A6, N6 and PR6 Series Lever Trim

For use with ED8000 Series

Pushbar Exit Device



WARNING

This product can expose you to lead which is known to the state of California to cause cancer and birth defects or other reproductive harm. For more information go to www.P65warnings.ca.gov.

TOC	Table of Contents
1	Pre-Installation2
a	Determine Hand of Door2
b	Mark Centerline3
c	Prepare Door3
d	Prepare Trim4
2	Installation4
a	Install Trim4
b	Remove and Reinstall Standard Cylinder5
c	Interchangeable Core Locksets6

1 Pre-Installation

a Determine Hand of Door

Important:

- Failure to follow these instructions could affect operation of this product and void warranty.
- Exit devices must be securely fastened to properly reinforced doors with fasteners which will not loosen or pull out. Add reinforcement when necessary.
- Before installing, be sure exit device is proper hand for door. (Figure 1)

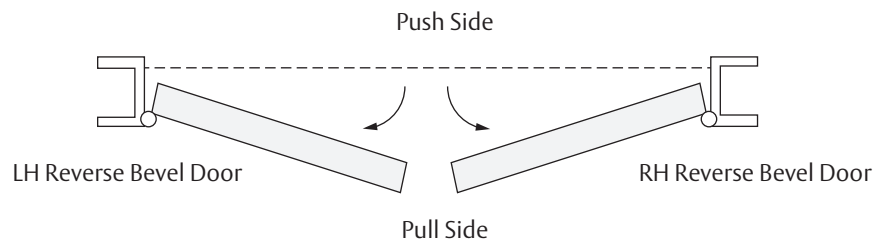


Figure 1

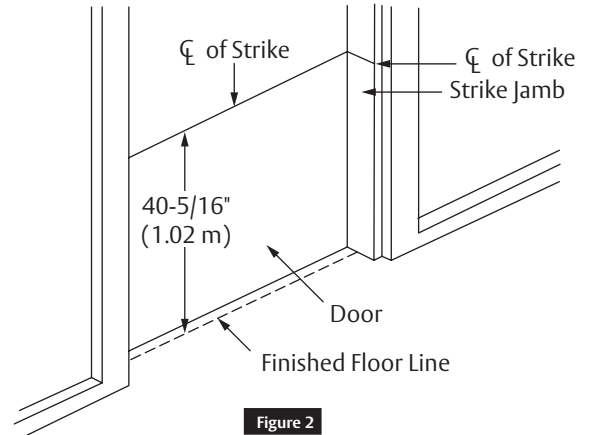
1

Pre-Installation (continued)

b

Mark Centerline

To establish centerline of device, draw line across door and stop 40-5/16" (1.02 m) above finished floor unless doors have been pre-prepped. (Figure 2)



c

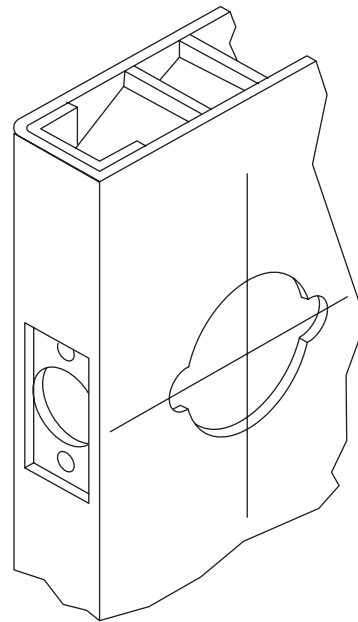
Prepare Door

For doors with ANSI A1115.1 cylindrical lock cut-out:

- No further mounting or prep holes required. (Figure 3)

For non-Prepped doors:

- Use template furnished to spot and drill 2-1/8" (54 mm) hole through door.



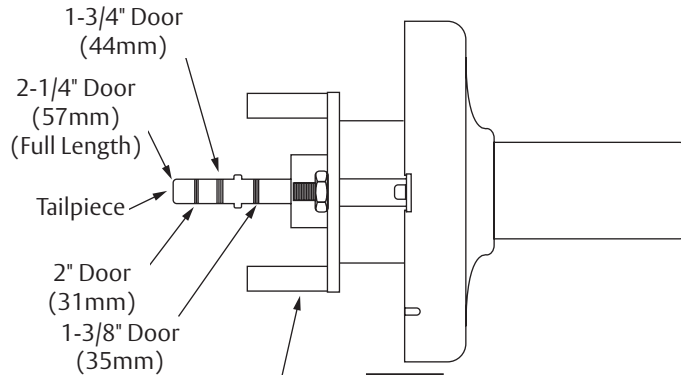
1

Pre-Installation (continued)

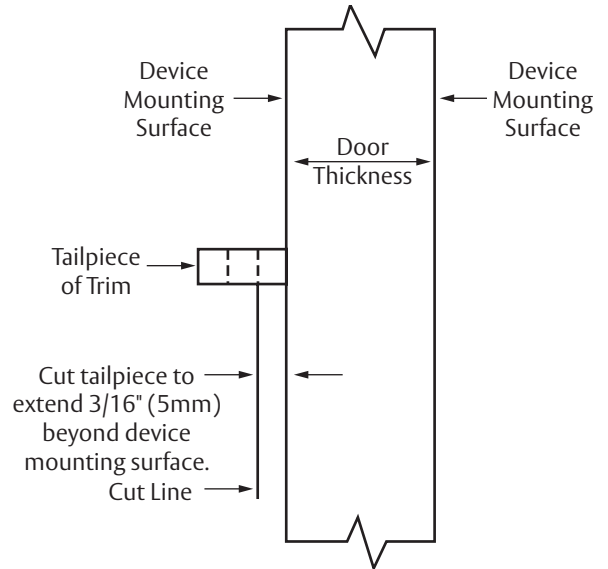
d

Prepare Trim

Use break-off grooves (Figure 4) or cut trim tailpiece to extend $\frac{3}{16}$ " (5 mm) beyond device mounting surface, door face or shim surface. (Figure 5)



Note:
Trim posts are not included on trims for 1-3/8" (35 mm) doors.



2

Installation

a

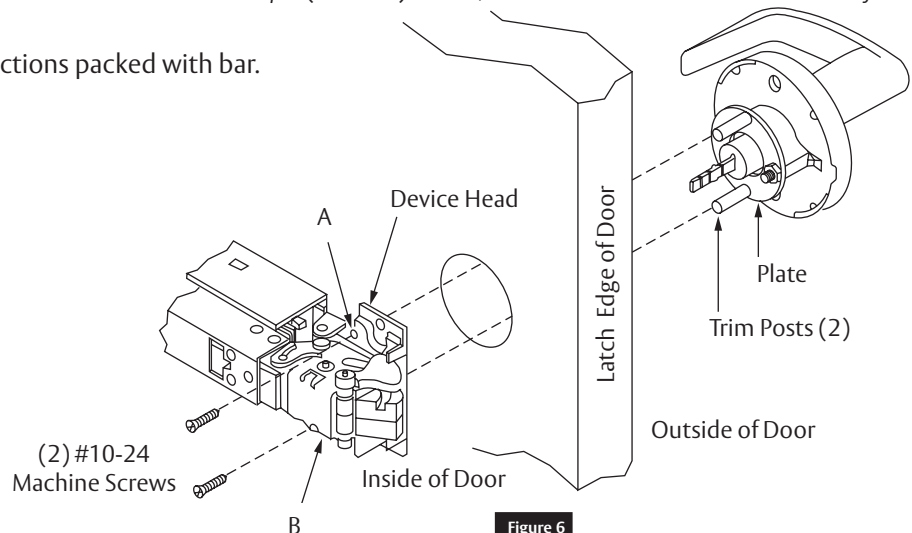
Install Trim

1. Insert trim into 2-1/8" (54 mm) hole and place device against inside surface of door. Be sure tailpiece of trim assembly engages into cross hole of cam in device head.
2. Insert two (2) #10-24 machine screws (packed with trim) into holes A and B of device head and thread into trim posts. (Figure 6)

Note:

Trim posts are not included on trims for 1-3/8" (35 mm) doors, so machine screws thread directly into plate.

3. Continue with instructions packed with bar.



2

Installation (continued)

b

Remove and Reinstall Standard Cylinder

Remove Lever:

1. Insert key in cylinder and turn 45° clockwise.
2. Insert lever release tool into hole on side of lever and depress lever retainer.
3. While retainer is depressed, pull lever off.

Remove Cylinder:

1. Remove key.
2. Remove plastic filler.
3. Slide cylinder out.

Reinstall Cylinder:

1. Slide cylinder into lever.
2. Install plastic filler.

Reinstall Lever:

1. Insert key part way. Slide lever onto rollback as far as it will go, using key to guide cylinder into engagement.
2. Insert key fully and turn 45° clockwise.
3. Push lever the rest of the way onto rollback.
4. Remove key and pull lever to be sure it is properly retained on rollback.

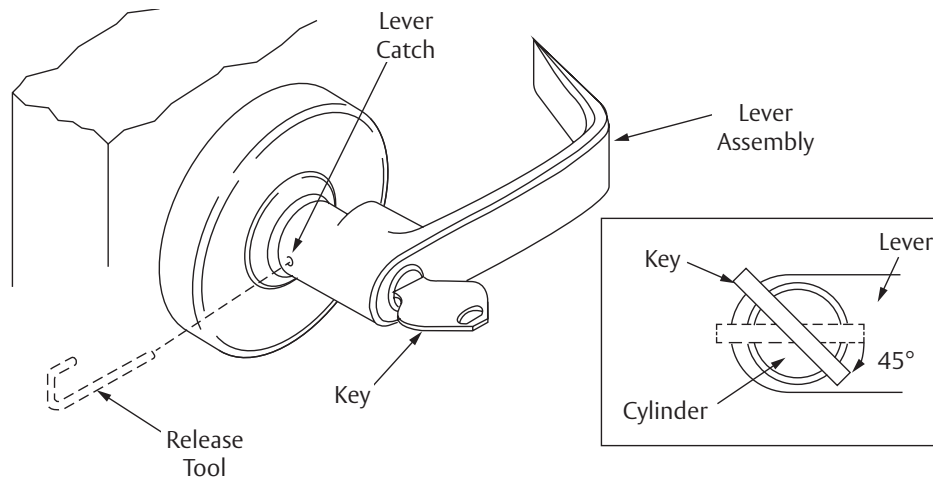


Figure 7

2

Installation (continued)

c

Interchangeable Core Locksets

If interchangeable core is already installed in lever:

- No further action is necessary.

For unprepped doors:

1. Locate recore driver packer and special CONTROL key.
2. Place spacer onto recore driver prongs and insert recore driver into holes in rear of core.
3. Insert CONTROL key and turn 15° clockwise to retract control lug.
4. Slide core with recore driver into lever.
5. As shown in Figure 8, core must be installed with keyed plug toward edge of door.
6. Turn CONTROL key counterclockwise and remove.

Notes:

- Control key has no further use in lockset installation and must be safeguarded for return to Security personnel when installation is complete.
- When assembling cylinders other than Corbin Russwin, keep blade of driver entering lever parallel to lever.

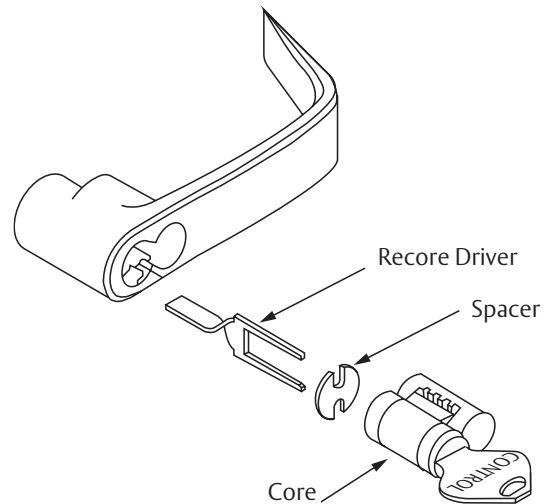


Figure 8

A6, N6 and PR6 Series Lever Trim

Pushbar Exit Device

Installation Instructions



The ASSA ABLOY Group is the global leader in access solutions. Every day, we help billions of people experience a more open world.

ASSA ABLOY Opening Solutions leads the development within door openings and products for access solutions in homes, businesses and institutions. Our offering includes doors, frames, door and window hardware, locks, perimeter fencing, access control and service.



Corbin Russwin, Inc.
225 Episcopal Road
Berlin, CT 06037 USA
Phone: 800-543-3658
Fax: 800-447-6714
www.corbinrusswin.com

Corbin Russwin is a brand associated with ASSA ABLOY Access and Egress Hardware Group, Inc., an ASSA ABLOY Group company. Copyright © 1998, 2020 ASSA ABLOY Access and Egress Hardware Group, Inc. All rights reserved. Reproduction in whole or in part without the express written permission of ASSA ABLOY Access and Egress Hardware Group, Inc. is prohibited.

For installation assistance contact Corbin Russwin
1-800-543-3658 • techsupport.corbinrusswin@assaabloy.com

FM554 02/20