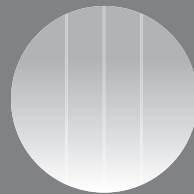


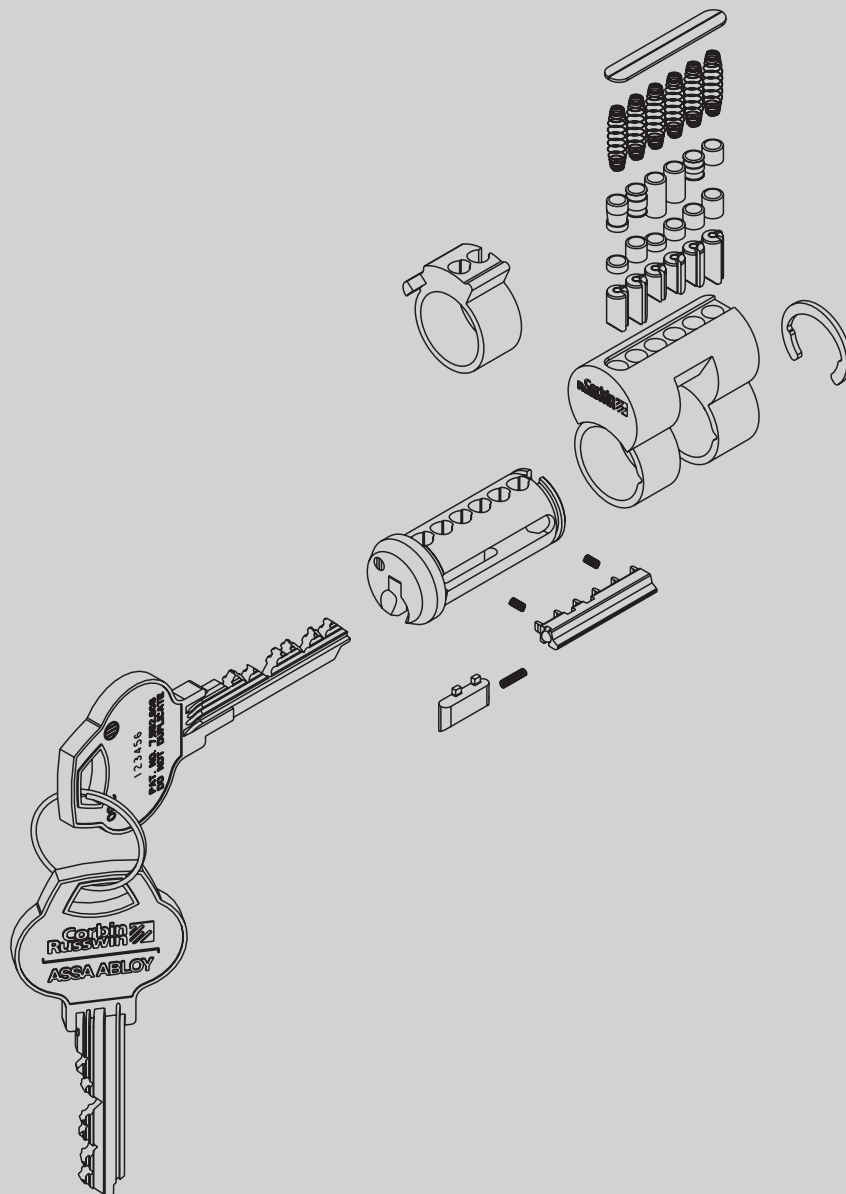


ASSA ABLOY

Access
3[®]



Key Systems Technical Manual



Experience a safer
and more open world



The Access 3 Advantage	3
AP Key Cuts.....	4
AS & AHS Key Cuts.....	5
Key Cutting Machines.....	6
Pinning Formula.....	7
Construction Master Keying.....	8
Visual and Concealed Key Control	9
Access 3 Pin Kits	10
Cylinder Parts: AP - 3500 Series Rim.....	11
Cylinder Parts: AS - 3600 Series Rim.....	12
Cylinder Parts: AHS - 3700 Series Rim	13
Cylinder Parts: AP - 1500 Series Mortise.....	14
Cylinder Parts: AP - 1501 Series Mortise Hotel.....	15
Cylinder Parts: AS - 1600 Series Mortise.....	16
Cylinder Parts: AS - 1601 Series Mortise Hotel.....	17
Cylinder Parts: AHS - 1700 Series Mortise	18
Cylinder Parts: AHS - 1701 Series Mortise Hotel	19
Cylinder Parts: AP - 8500 Series LFIC Cores	20
Cylinder Parts: AS - 8600 Series LFIC Cores	21
Cylinder Parts: AHS - 8700 Series LFIC Cores.....	22
Cylinder Parts: AP - 2500 Series Component (Key-in-Knob/Lever).....	23
Cylinder Parts: AP - 2501 Series Component (Key-in-Knob/Lever) Hotel.....	24
Cylinder Parts: AS - 2600 Series Component (Key-in-Knob/Lever).....	25
Cylinder Parts: AS - 2601 Series Component (Key-in-Knob/Lever) Hotel.....	26
Cylinder Parts: AHS - 2700 Series Component (Key-in-Knob/Lever).....	27
Cylinder Parts: AHS - 2701 Series Component (Key-in-Knob/Lever) Hotel	28



The Access 3 Key System

The patented Access 3 system from Corbin Russwin provides the right level of security for each opening in your facility. Three levels of ANSI/BHMA Grade 1 protection, from patented keyway to UL437 certified, secures every opening. A common key for all three levels of security enhances key control and simplifies administrative procedures. Key blanks are controlled through authorized distribution and geographical protection is available. Available for mortise, rim, component and Large Format Interchangeable Core (LFIC) cylinders, Corbin Russwin offers the right Access 3 level of protection for every door in your facility.

Benefits

- Patent protection from unauthorized key duplication through 2027
- New keyway family protects system integrity from legacy systems
- Keys are significantly stronger than competitive systems
- User-friendly design with minimal components provides easy field service
- Availability in all existing Corbin Russwin cylinder types provides cost-effective upgrade for Corbin Russwin facilities
- Bump resistance standard for all AP, AS and AHS cylinders.

Access 3 (AP) features a utility patented keyway. These cylinders easily retrofit into existing hardware and are appropriate for most applications. The keys for AP can only open AP cylinders. AP cylinders are protected against bumping.

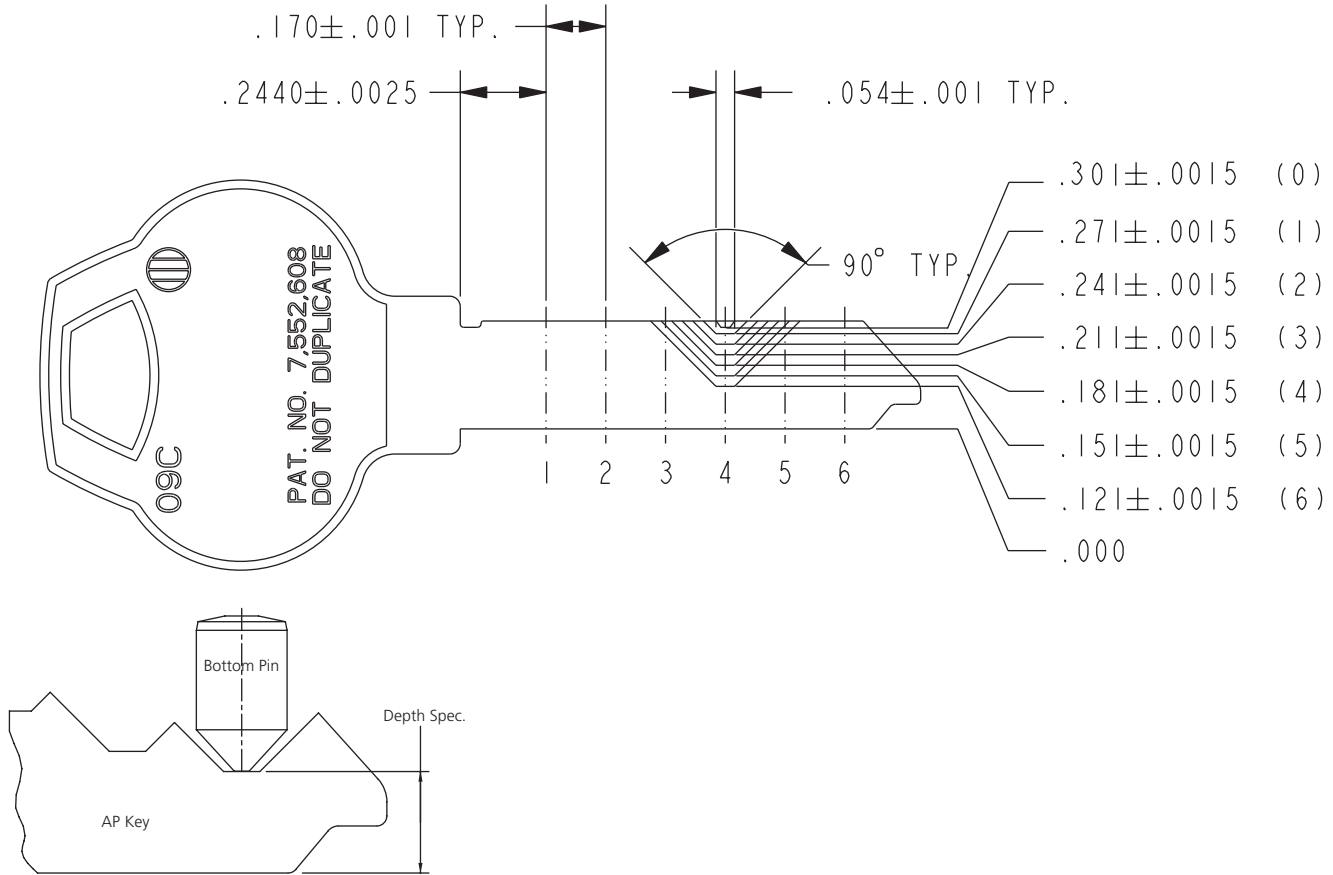
Access 3 (AS) builds on the utility patented keyway of AP and adds patented side bar locking with unique angled bottom pins that provide end users with geographical exclusivity. Cylinders provide protection against bumping and picking. Because of its superior key control and patent protection until 2027, AS products are recommended for use in conjunction with AHS for new installations or when retrofitting systems, including large format interchangeable core systems.

Access 3 (AHS) combines the utility patented keyway and side bar locking with unique angled bottom pins that provide end users with geographical exclusivity, and adds certification to UL437. They are classified as high security because of their superior resistance to physical attack and protection against unauthorized key duplication. Because of its superior key control, patent protection until 2027, and physical strength, we recommend AHS products for new high-security installations or when retrofitting systems, including large format interchangeable core systems. Corbin Russwin also offers anti-vandal and high security locksets that complement AHS cylinders for those openings most vulnerable to attack.

*IMPORTANT: Corbin Russwin Access 3 Product is available with a "0" cut depth for AP systems **only** and it is not available for use in an AS or AHS security level product. If there is a possibility to elevate the AP system to AS or AHS, any master keying expansion requests should be discussed with a Corbin Russwin Key Records team specialist.*



AP cuts from Bow to Tip
MACS-4



Bottom Pins (BP)

Size #	Length	Part No.
0	.201	763F002213
1	.231	763F002243
2	.261	763F002273
3	.291	763F002303
4	.321	763F002333
5	.351	763F002363
6	.381	763F002393

Master Pins (MP)

Size #	Length	Part No.
1	.030	763F012030
2	.060	763F012060
3	.090	763F012090
4	.120	763F012120
5	.150	763F012150
6	.180	763F012180

Build Up Pins (BU)

Size #	Length	Part No.
BU #1	0.030	763F012030
BU #2	0.060	763F012060
BU #3	0.090	763F012090
BU #4	0.120	763F012120
BU #5	0.150	763F012150
BU #6	N/A	N/A
BU #7	0.210	763F012210
BU #8	0.240	763F012240
BU #9	0.270	763F012270
BU #10	0.300	763F012300
BU #11	0.330	763F012330
BU #12	0.360	763F012360

Top Pin (TP)

Size #	Length	Part No.
Top #1	0.030	763F012030
Top #2	0.060	763F012060
Top #3	0.090	763F012090
Top #4	0.120	763F012120
Top #5	0.150	763F012150
Top #6	0.180	763F012180
Top #7	0.210	763F012210
Top #8	0.240	763F012240
Top #9	0.270	763F012270
Top #10	0.300	763F012300

Top Pin - Bump Resistant

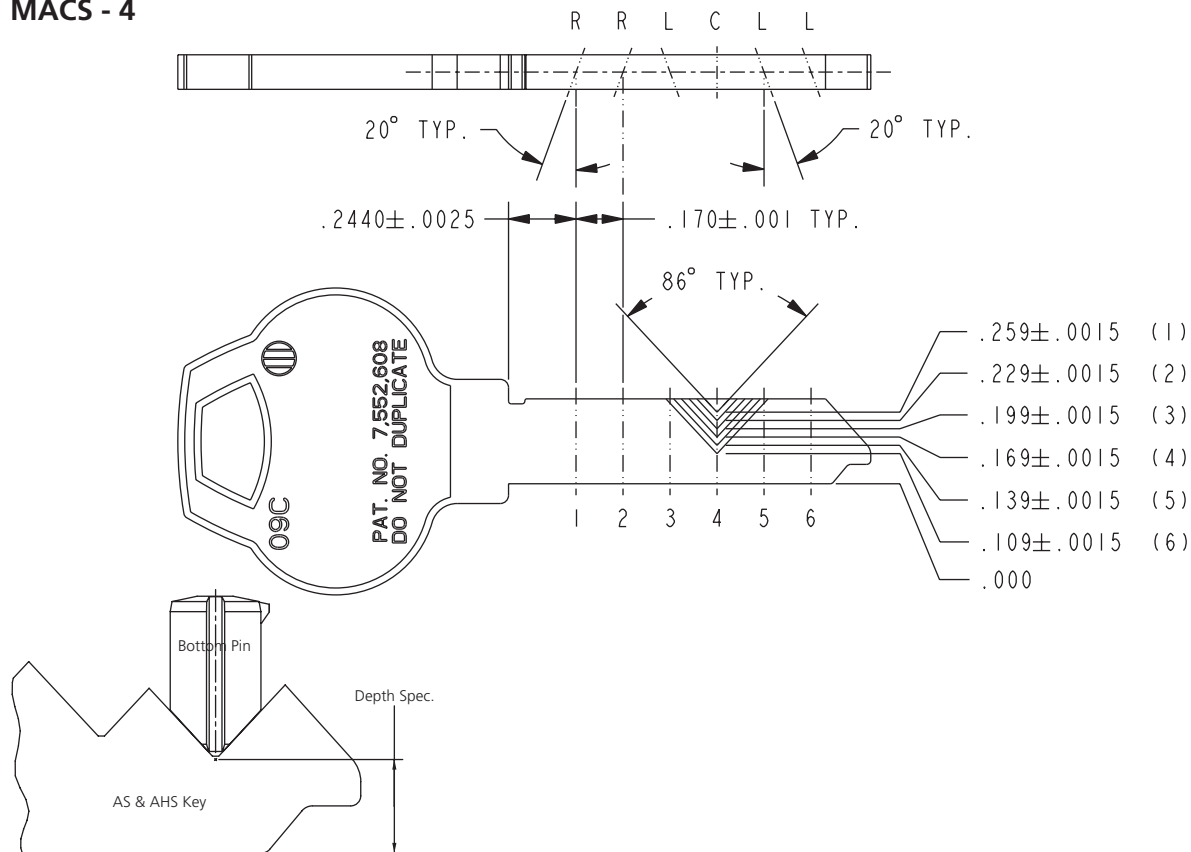
Size #	Length	Part No.
BR #4	0.120	763F027120
BR #5	0.150	763F027150
BR#6	0.180	763F027180
BR#7	0.210	763F027210
BR#8	0.240	763F027240
BR#9	0.270	763F027270
BR#10	0.300	763F027300

CMK Wafer

Description	Part No.
CMK	763F072



AS & AHS cuts from Bow to Tip MACS - 4



Dimensions shown are to theoretical intersection

Bottom Pin (BP)

Size #	Length	Part No.
BP #1-C	0.231	763F052243
BP #1-L	0.231	763F042243
BP #1-R	0.231	763F062243
BP #2-C	0.261	763F052273
BP #2-L	0.261	763F042273
BP #2-R	0.261	763F062273
BP #3-C	0.291	763F052303
BP #3-L	0.291	763F042303
BP #3-R	0.291	763F062303
BP #4-C	0.321	763F052333
BP #4-L	0.321	763F042333
BP #4-R	0.321	763F062333
BP #5-C	0.351	763F052363
BP #5-L	0.351	763F042363
BP #5-R	0.351	763F062363
BP #6-C	0.381	763F052393
BP #6-L	0.381	763F042393
BP #6-R	0.381	763F062393

Master Pins (MP)

Size #	Length	Part No.
1	.030	763F012030
2	.060	763F012060
3	.090	763F012090
4	.120	763F012120
5	.150	763F012150

CMK Wafer

Description	Part No.
CMK	763F072

Build Up Pins (BU)

Size #	Length	Part No.
BU #1	0.030	763F012030
BU #2	0.060	763F012060
BU #3	0.090	763F012090
BU #4	0.120	763F012120
BU #5	0.150	763F012150
BU #6	N/A	N/A
BU #7	0.210	763F012210
BU #8	0.240	763F012240
BU #9	0.270	763F012270
BU #10	0.300	763F012300
BU #11	0.330	763F012330

Top Pin (TP)

Size #	Length	Part No.
Top #1	0.030	763F012030
Top #2	0.060	763F012060
Top #3	0.090	763F012090
Top #4	0.120	763F032120
Top #5	0.150	763F037150
Top #6	0.180	763F037180
Top #7	0.210	763F032210
Top #8	0.240	763F032240
Top #9	0.270	763F032270



HPC Machines

Access 3 level	Key Cutting Machine	Card #	DSD#	Cutter #	Jaw
AP	1200 (Blitz)	C391	N/A	CW-90MC	B
AS/AHS	1200 (Blitz)	C392	N/A	CW-1012	DJ-1
AP	Code Max	N/A	DSD391	CW-90MC	B
AS/AHS	Code Max	N/A	DSD392	CW-1012	DJ-1
AP	Tiger Shark	N/A	DSD391	CW-90MC	STD
AS/AHS	Tiger Shark	N/A	DSD392	CW-1012	DJ-1S
AP	Blue Shark	N/A	DSD391	CW-90MC	STD
AS/AHS	Blue Shark	N/A	DSD392	CW-1012	DJ-1S

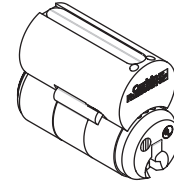
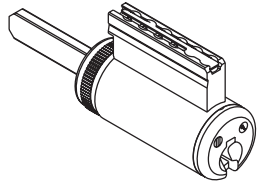
ITL Machines

Access 3 level	Key Cutting Machine	Vice Insert	Cutter #
AP	9700A	3	CW-1012
AS/AHS	9700A	3M3	CW-1012

Framon Machines

Access 3 level	Key Cutting Machine	Kit*
AP	KX-1	KX-DG104
AS/AHS	KX-1	KX-DG204

* Each kit comes complete with cam, cutter, and vice insert



Fixed Core Component Cylinders

Large Format Interchangeable Core Cylinders

Fixed Core and LFIC Chambers 1, 2, 5 & 6

LFIC Control Chambers 3 & 4

Example

Example

Top Pin (TP)
10 MINUS
Plug Total

Top Pin (TP)
13 MINUS Plug
Total and
Build Up Pin

Master Key	1	2	3	4	6	4
Change Key	3	4	5	2	0	2

Control Key	1	5	5	4	3	2
Master Key	1	5	2	6	3	2
Change Key	3	1	4	3	1	5

Top Pin (TP)	7	6	5	6	4	6
Master Pin (MP)	2	2	2	2	6	2
Bottom Pin (BP)	1	2	3	2	0	2

Top Pin (TP)	7	5	2	3	7	5
Build Up Pin (BU)	x	x	7	4	x	x
Master Pin (MP)	2	4	2	3	2	3
Bottom Pin (BP)	1	1	2	3	1	2

Master Pin (MP) =
Deepest Minus
Shallowest
Operating Cut

Build Up Pin (BU) =
Control Cut PLUS 6
MINUS Plug Total

Plug Total (MP + BP)

Bottom Pin (BP) =
Shallowest
Operating Cut

Master Pin (MP) =
Deepest MINUS
Shallowest
Operating Cut

Plug Total (MP + BP)

Bottom Pin (BP) =
Shallowest
Operating Cut

Instructions (Fixed Core and LFIC Chambers 1, 2, 5 & 6)

Instructions (LFIC Control Chambers 3 & 4)

Bottom Pin = shallowest operating cut

Bottom Pin = shallowest operating cut

Master Pin (if required) = Deepest minus shallowest operating cut

Master Pin (if required) = Deepest minus shallowest operating cut

(Plug Total = Bottom Pin + Master Pin)

(Plug Total = Bottom Pin + Master Pin)

Top Pin = 10 MINUS Plug Total

Build Up Pin = Control Cut plus 6 minus Plug Total

Note: "0" depth of cut only available for AP key systems. Not used with AS or AHS.

Top Pin = 13 MINUS (PLUG TOTAL + BUILD UP PIN)

Note: "0" depth of cut only available for AP key systems. Not used with AS or AHS.

Lost Ball/Wafer Construction Cylinder

1. In the construction lost wafer chamber use #5 cut for TMK and #6 cut for CMK
2. CMK cuts for the rest of the chambers are same as TMK cuts
3. "Donut" wafer is added in construction lost wafer chamber above bottom pin



Construction Master Keying (Lost/Wafer Design) for AP, AS & AHS

Access 3 cylinders when master keyed are offered with the convenience of construction keying when specified. This is not recommended with AHS key systems or any system where strict key control and management is enforced.

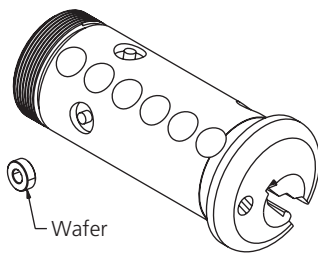
Construction keying simplifies the process when the building gets turned over. With this feature, the construction master keyed cylinder is master keyed with a special construction feature in one of the chambers. The plug is prepped in two places along both sides of the same chamber containing the construction feature. This allows the construction master key to be used during the construction phases.

It is highly recommended that all construction keys are collected and accounted for once the project is complete to protect the integrity of the key system.

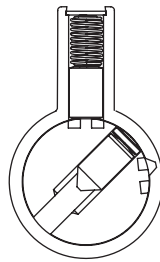
Construction master keys are to be specified and ordered separately.

Construction master keyed orders will have all change keys shipped separately from hardware.

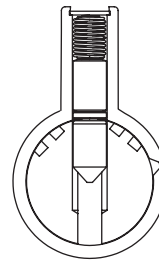
Construction master keying is not available with hotel function cylinders or large format interchangeable cores. If construction keying is required for LFIC, specify temporary construction keyed cores.



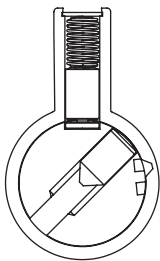
Wafer



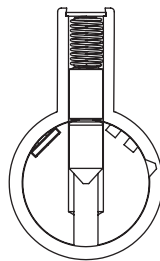
Cutaway cylinder showing construction master key being used, putting the wafer below the shear line while key is turned. Note the two empty "donut" holes on either side of the chamber.



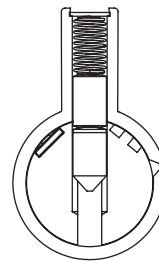
Change key inserted in cylinder putting the wafer above the shear line.



As **change key** rotates, construction wafer falls into "donut" hole in the side of plug. Only construction wafer will fall due to hole through its center. This voids the construction feature.



Change key rotated to position for extraction.



Construction key inserted after wafer is trapped. Driver now extends into plug chamber. Construction key if used will not rotate.

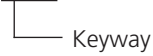


For Multiplex Masterkey Systems (CR keyway family shown)

Nickel silver
Key Bow type 38

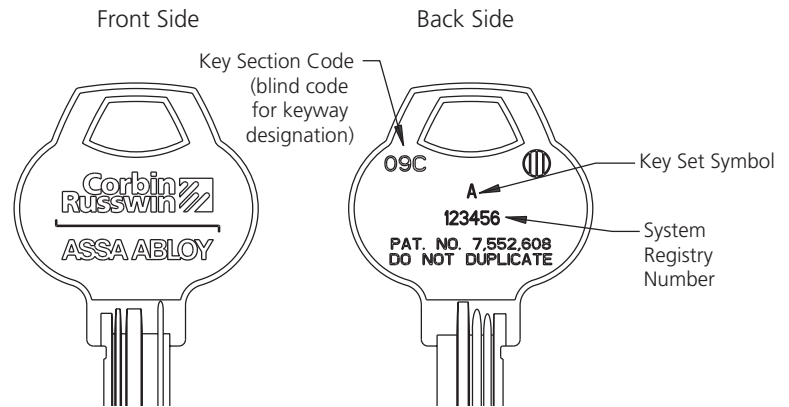
• **Ordering example AP Key Blank:**

XXXX-6PIN-38-AP



• **Ordering example AS/AHS Key Blank:**

XXXX-6PIN-38-AS60



• **Ordering example Hotel Emergency key (Mortise Cylinders)**

example: Keyway-6Pin-38-E2-AP

• **Ordering example Hotel Emergency key (Key-in-lever cylinders)**

example: Keyway-6Pin-38-E6-AS60

Back Side Stamping & Options

- Key set (VKC1), standard – unless otherwise indicated
- System registry number will be stamped on master keys unless otherwise indicated
- Concealed key control (CKC2) available on cylinders
- Visual Key Control VKC2 is available for level 1 (AP) only.
- Visual Key Control VKC3 and Concealed Key Control CKC3 not available



PK-30-AP Pinning Kit

The PK-30-AP Kit is used to pin AP fixed and LFIC cylinders. The heavy duty steel kit prevents pins from mixing.

The kit includes:

- 100 each of bottom pins sizes 0-6
- 100 each of build up pins 1-12
- 100 each of master pins sizes 1-6
- 100 each of top pins sizes 1-10
- 100 each of bump resistant pins sizes 4-10
- 100 tumbler springs – part number 763F617
- 100 sidebar spring - part number 756F817
- 50 #2-56 screw - part number 756F847
- 25 KIK/KIL spring cover – part number 756F858
- 25 each mortise/rim, LFIC spring cover – part number 756F722
- 10 Sidebar (8500 CYL.) – part number 763F565
- Tweezer – part number 239F368
- Access 3 Key decoder – part number 756F937

PK-30-MASTER Master Pinning Kit

The PK-30-MASTER “Master Kit” includes all pins needed to re-pin AP, AS and AHS cylinders.

The kit includes:

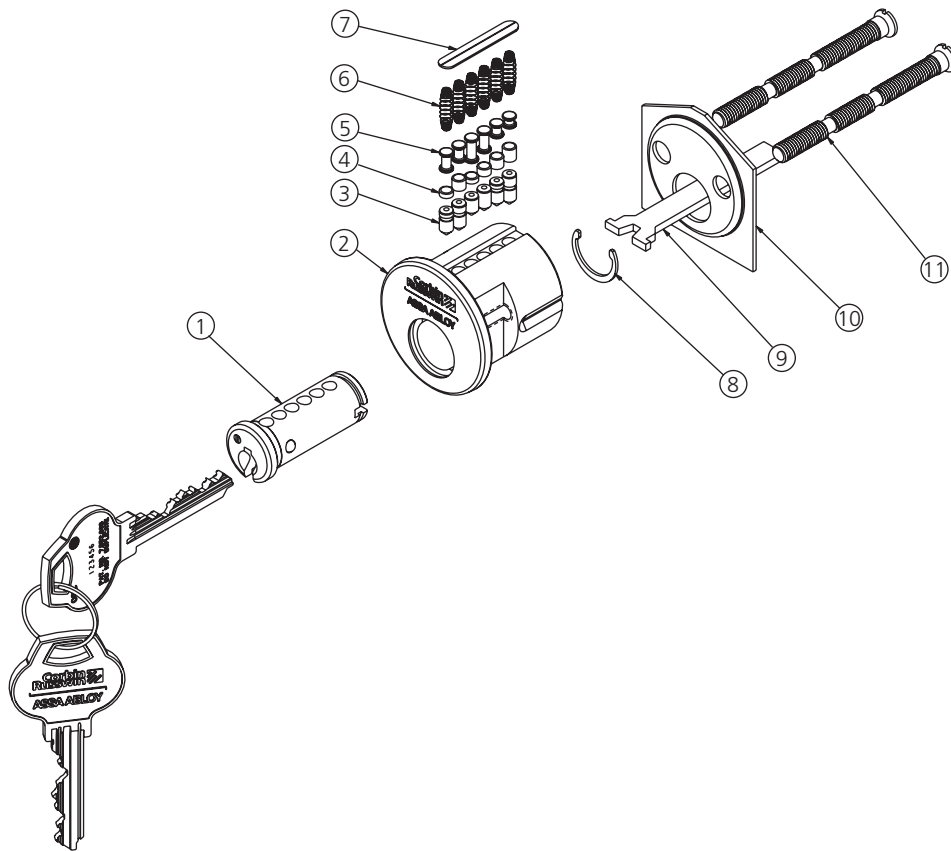
- 100 each of AP bottom pins sizes 0-6
- 100 each of angled bottom pins sizes 1-6 (L-C-R)
- 100 each of build up pins sizes 1-12
- 100 each of master pins sizes 1-6
- 100 each of top pins sizes 1-10
- 100 each of bump resistant pins sizes 4-10
- 100 tumbler springs – part number 763F617
- 50 #2-56 screw - part number 756F847
- 25 KIK/KIL spring cover – part number 756F858
- 25 mortise/rim, lfic spring cover – part number 756F722
- 10 sidebar – part number 756F807
- 10 sidebar (8500 CYL.) – part number 763F565
- 100 sidebar spring – part number 756F817
- 50 slider spring – part number 756F797
- Tweezer – part number 239F368
- Access 3 Key decoder – part number 756F937

Note: CT-4 follower (size .509) may be ordered separately.



Item	Description	Part Number	Comments
1	Plug SA	758K04MSECFIN	Plug finishes: 606, 626
2	Shell SA (Not Slotted)	758F11MFIN	Shell finishes: 605, 606, 611, 612, 613, 618, 619, 622, 625, 626, 629, 630, 722, BSP, WSP
	Shell SA (Slotted)	758F14MFIN	
3	Bottom Pins	763F002	
4	Master & Build Up Pins	763F012	
5	Top Pins	763F027	
6	Tumbler Springs	763F617	
7	Spring Cover	756F722	
8	Plug Retainer	333F997	
9	Tailpiece	See Access 3 Catalog	
10	Mounting Plate	253F758	
11	Mounting Screws	See Access 3 Catalog	

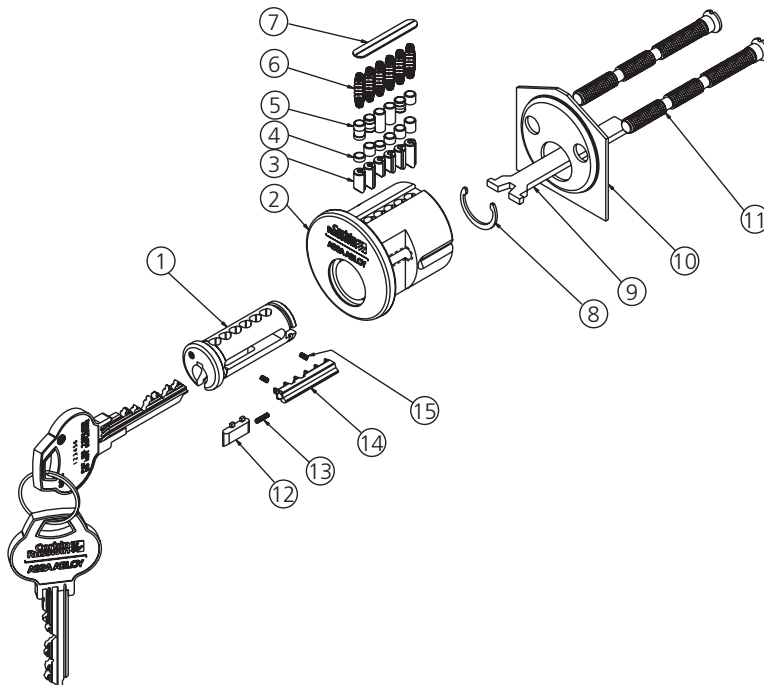
Note: Items 3, 4 & 5 are in vial of 100 pins





Item	Description	Part Number	Comments
1	Plug	758K02MSECFIN	Plug finishes: 606, 626
2	Shell SA (Not Slotted)	758F12MFIN	Shell finishes: 605, 606, 611, 612, 613, 618, 619, 622, 625, 626, 629, 630, 722, BSP, WSP
	Shell SA (Slotted)	758F15MFIN	
3	Bottom Pins (L)	763F042	
	Bottom Pins (C)	763F052	
	Bottom Pins (R)	763F062	
4	Master & Build Up Pins	763F012	
5	Top Pins	763F03M	
6	Tumbler Springs	763F617	
7	Spring Cover	756F722	
8	Plug Retainer	333F997	
9	Tailpiece	See Access 3 Catalog	
10	Mounting Plate	253F758	
11	Mounting Screws	See Access 3 Catalog	
12	Slider	756F732-756F782	
13	Slider Springs	756F797	
14	Side Bar	756F807	
15	Side Bar Springs	756F817	

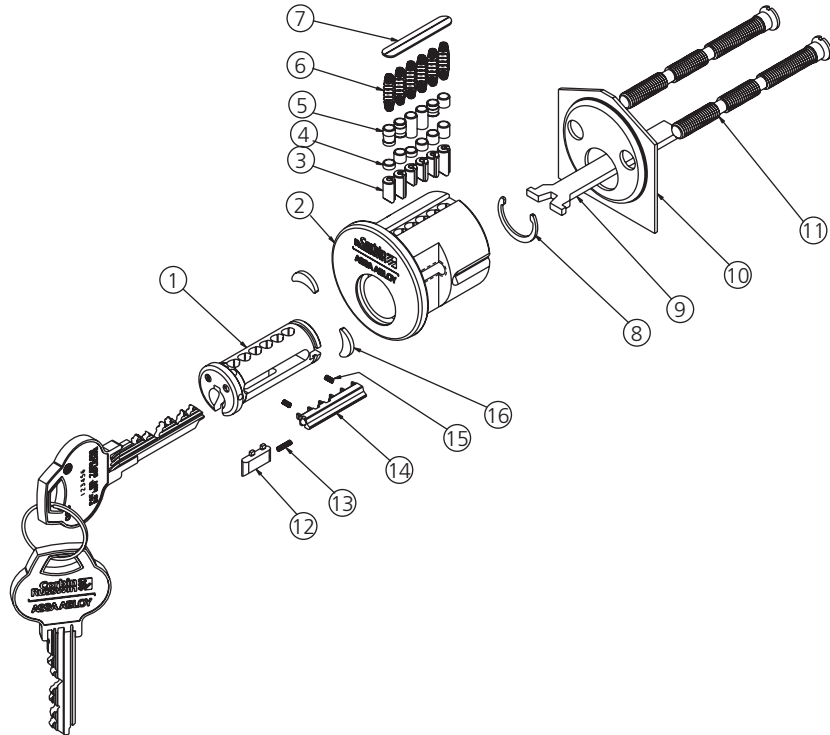
Note: Items 3, 4 & 5 are in vial of 100 pins





Item	Description	Part Number	Comments
1	Plug SA	758K03MSECFIN	Plug finishes: 606, 626
2	Shell SA (Not Slotted)	758F13MFIN	Shell finishes: 605, 606, 611, 612, 613, 618, 619, 622, 625, 626, 629, 630, 722, BSP, WSP
	Shell SA (Slotted)	758F16MFIN	
3	Bottom Pins (L)	763F042	
	Bottom Pins (C)	763F052	
	Bottom Pins (R)	763F062	
4	Master & Build Up Pins	757F012	
5	Top Pins	757F03M	
6	Tumbler Springs	763F617	
7	Spring Cover	756F722	
8	Plug Retainer	333F997	
9	Tailpiece	See Access 3 Catalog	
10	Mounting Plate	253F758	
11	Mounting Screws	See Access 3 Catalog	
12	Slider	756F732-756F782	
13	Slider Springs	756F797	
14	Side Bar	756F807	
15	Side Bar Springs	756F817	
16	Security Plate	756F828	

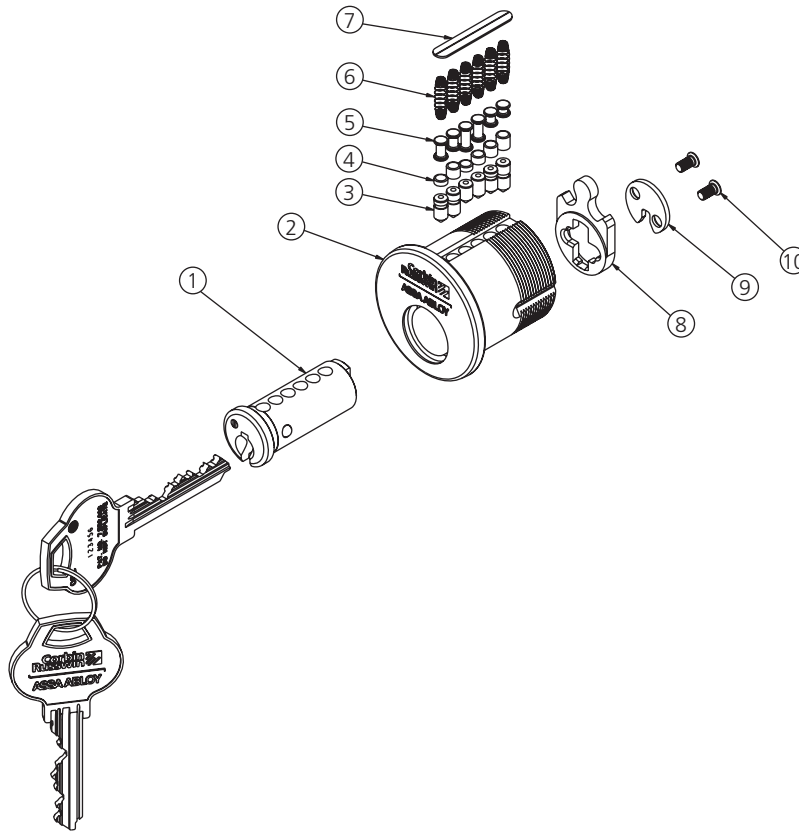
Note: Items 3, 4 & 5 are in vial of 100 pins





Item	Description	Part Number	Cylinder Length	Comments
1	Plug SA	757K64MSECFIN	1-1/4"	Plug finishes: 606, 626
		757K74MSECFIN	1-3/8"	
		757K84MSECFIN	1-1/2"	
		757K94MSECFIN	1-3/4"	
2	Shell SA	757F68MFIN	1-1/4"	Shell finishes: 605, 606, 611, 612, 613, 618, 619, 622, 625, 626, 629, 630, 722, BSP, WSP
		757F78MFIN	1-3/8"	
		757F88MFIN	1-1/2"	
		757F98MFIN	1-3/4"	
3	Bottom Pins	763F002		
4	Master & Build Up Pins	763F012		
5	Top Pins	763F027		
6	Tumbler Springs	763F617		
7	Spring Cover	756F722		
8	Cam	See Access 3 Catalog		
9	Cam Retainer	756F838		
10	Screws	756F847		

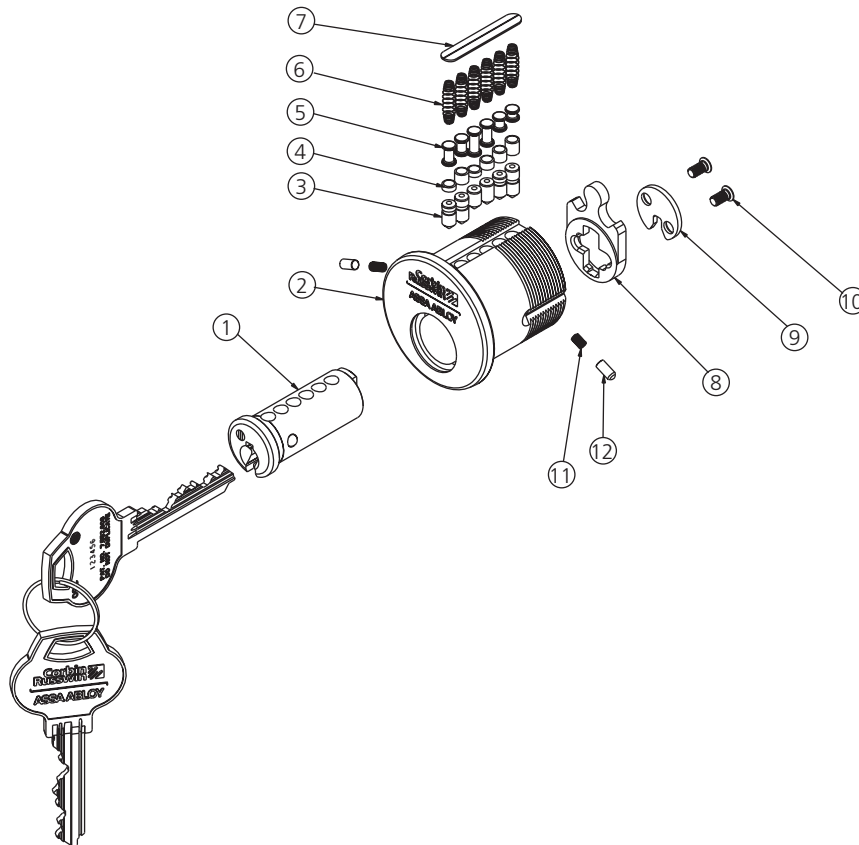
Note: Items 3, 4 & 5 are in vial of 100 pins





Item	Description	Part Number	Cylinder Length	Comments
1	Plug SA	758K59MSECFIN	1-1/4"	Plug finishes: 606, 626
2	Shell SA	758F46MFIN	1-1/4"	Shell finishes: 606, 606, 611, 612, 613, 618, 619, 622, 625, 626, 629, 630, 722, BSP, WSP
3	Bottom Pins	763F002		
4	Master Pins	763F012		
5	Top Pins	763F027		
6	Tumbler Springs	763F617		
7	Spring Cover	756F722		
8	Cam	See Access 3 Catalog		
9	Cam Retainer	756F838		
10	Screws	756F847		
11	Blocking Pin Springs	026F757		
12	Blocking Pins	197F527		

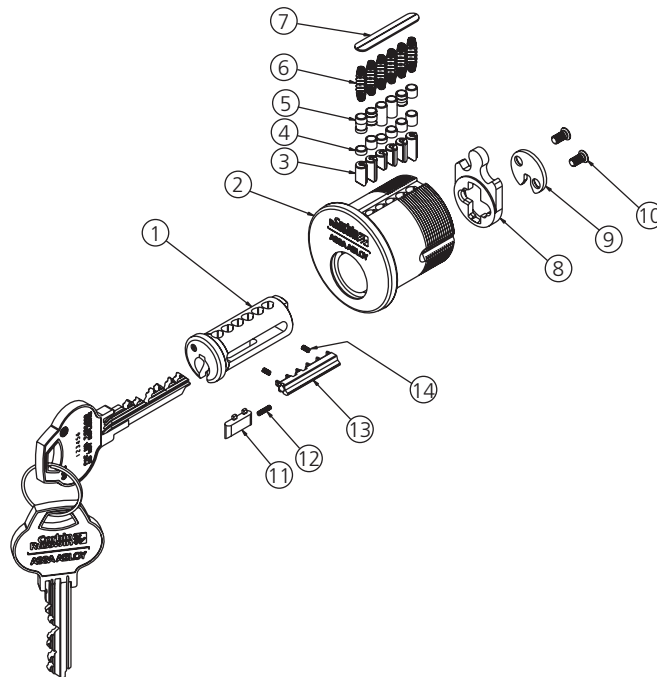
Note: Item 3, 4 & 5 are in vial of 100 pins





Item	Description	Part Number	Cylinder Length	Comments
1	Plug	757K62MSECFIN	1-1/4"	Plug finishes: 606, 626
		757K72MSECFIN	1-3/8"	
		757K82MSECFIN	1-1/2"	
		757K92MSECFIN	1-3/4"	
2	Shell SA	757F69MFIN	1-1/4"	Shell finishes: 605, 606, 611, 612, 613, 618, 619, 622, 625, 626, 629, 630, 722, BSP, WSP
		757F79MFIN	1-3/8"	
		757F89MFIN	1-1/2"	
		757F99MFIN	1-3/4"	
3	Bottom Pins (L)	763F042		
	Bottom Pins (C)	763F052		
	Bottom Pins (R)	763F062		
4	Master & Build Up Pins	763F012		
5	Top Pins	763F03M		
6	Tumbler Springs	763F617		
7	Spring Cover	756F722		
8	Cam	See Access 3 Catalog		
9	Cam Retainer	756F838		
10	Screws	756F847		
11	Slider	756F732-756F782		
12	Slider Springs	756F797		
13	Side Bar	756F807		
14	Side Bar Springs	756F817		

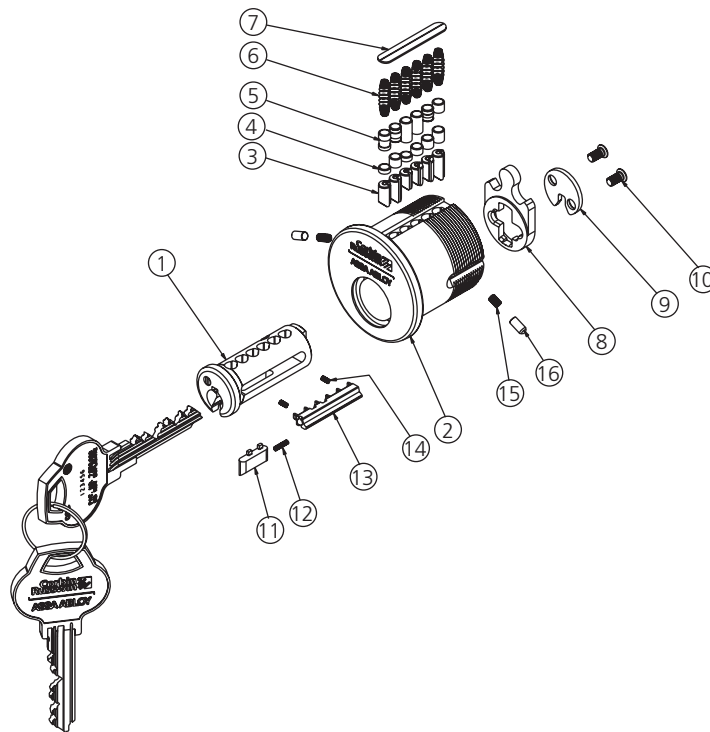
Note: Items 3, 4 & 5 are in vial of 100 pins





Item	Description	Part Number	Cylinder Length	Comments
1	Plug	758K57MSECFIN	1-1/4"	Plug finishes: 606, 626
2	Shell SA	758F47MFIN	1-1/4"	Shell finishes: 606, 606, 611, 612, 613, 618, 619, 622, 625, 626, 629, 630, 722, BSP, WSP
3	Bottom Pins (L)	763F042		
	Bottom Pins (C)	763F052		
	Bottom Pins (R)	763F062		
4	Master Pins	763F012		
5	Top Pins	763F03M		
6	Tumbler Springs	763F617		
7	Spring Cover	756F722		
8	Cam	See Access 3 Catalog		
9	Cam Retainer	756F838		
10	Screws	756F847		
11	Slider	756F732-756F782		
12	Slider Spring	756F797		
13	Side Bar	756F807		
14	Side Bar Spring	756F817		
15	Blocking Pin Springs	026F757		
16	Blocking Pins	197F527		

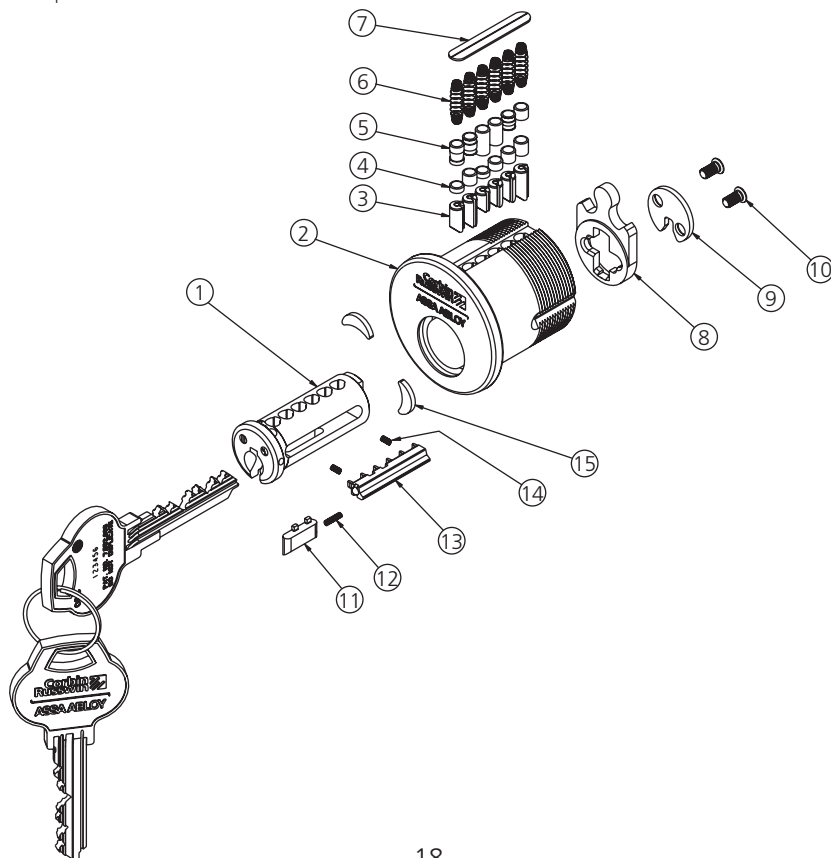
Note: Items 3, 4 & 5 are in vial of 100 pins





Item	Description	Part Number	Cylinder Length	Comments
1	Plug SA	757K63MSECFIN	1-1/4"	Plug finishes: 606, 626
		757K73MSECFIN	1-3/8"	
		757K83MSECFIN	1-1/2"	
		757K93MSECFIN	1-3/4"	
2	Shell SA	757F70MFIN	1-1/4"	Shell finishes: 605, 606, 611, 612, 613, 618, 619, 622, 625, 626, 629, 630, 722, BSP, WSP
		757F80MFIN	1-3/8"	
		757F90MFIN	1-1/2"	
		758F00MFIN	1-3/4"	
3	Bottom Pins (L)	763F042		
	Bottom Pins (C)	763F052		
	Bottom Pins (R)	763F062		
4	Master & Build Up Pins	763F012		
5	Top Pins	763F01M		
6	Tumbler Springs	763F617		
7	Spring Cover	756F722		
8	Cam	See Access 3 Catalog		
9	Cam Retainer	756F838		
10	Screws	756F847		
11	Slider	756F732-756F782		
12	Slider Springs	756F797		
13	Side Bar	756F807		
14	Side Bar Springs	756F817		
15	Security Plate	756F828		

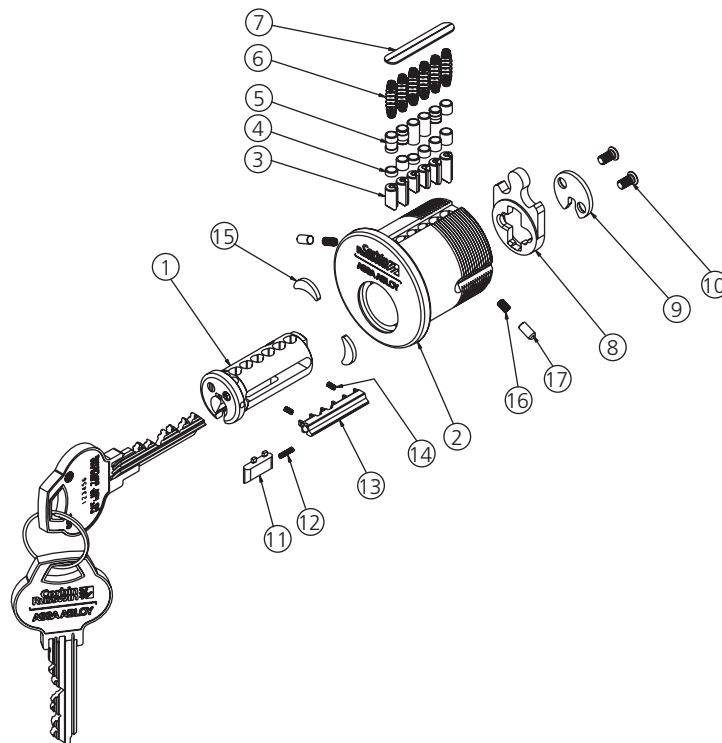
Note: Items 3, 4 & 5 are in vial of 100 pins





Item	Description	Part Number	Cylinder Length	Comments
1	Plug SA	758K58MSECFIN	1-1/4"	Plug finishes: 606, 626
2	Shell SA	758F48MFIN	1-1/4"	Shell finishes: 606, 606, 611, 612, 613, 618, 619, 622, 625, 626, 629, 630, 722, BSP, WSP
3	Bottom Pins (L)	763F042		
	Bottom Pins (C)	763F052		
	Bottom Pins (R)	763F062		
4	Master Pins	763F012		
5	Top Pins	763F03M		
6	Tumbler Springs	763F617		
7	Spring Cover	756F722		
8	Cam	See Access 3 Catalog		
9	Cam Retainer	756F838		
10	Screws	756F847		
11	Slider	756F732-756F782		
12	Slider Spring	756F797		
13	Side Bar	756F807		
14	Side Bar Spring	756F817		
15	Security Plate	756F828		
16	Blocking Pin Springs	026F757		
17	Blocking Pins	197F527		

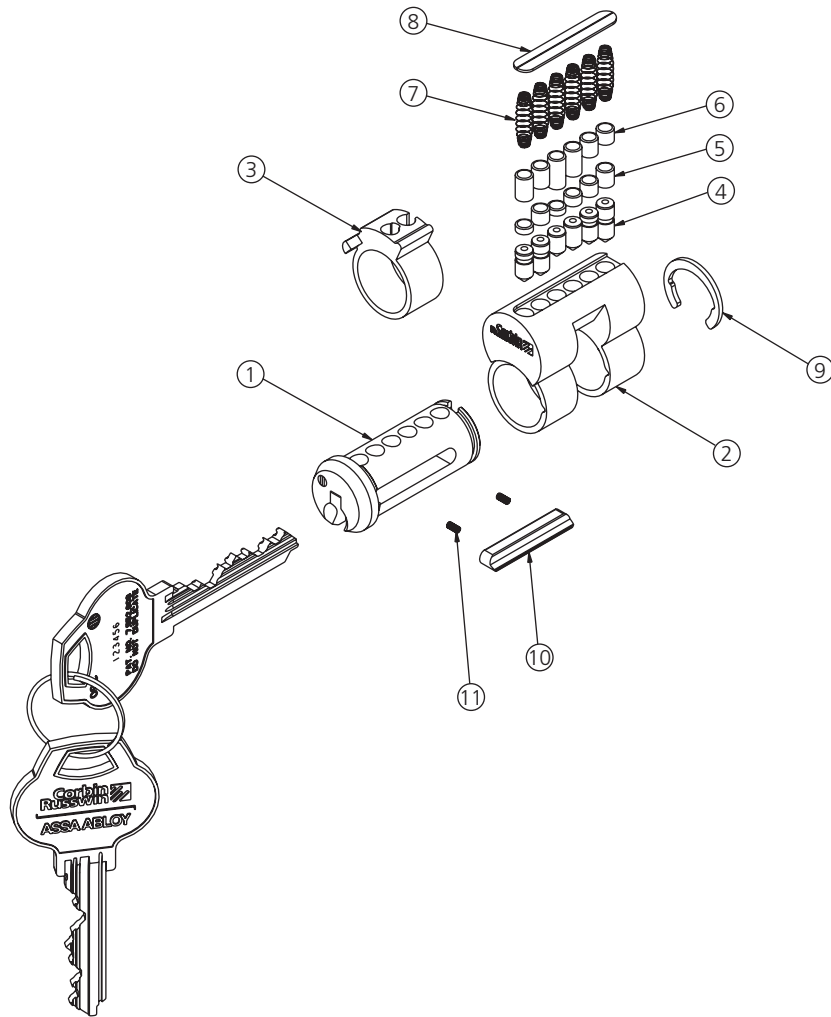
Note: Item 3, 4 & 5 are in vial of 100 pins





Item	Description	Part Number	Comments
1	Plug	757K50MSECFIN	Plug finishes: 606, 626
2	Core	763F58MFIN	Core finishes: 606, 626
3	Control Sleeve	763F572	
4	Bottom Pins	763F002	
5	Master & Build Up Pins	763F012	
6	Top Pins	763F012	
7	Tumbler Springs	763F617	
8	Spring Cover	756F722	
9	Retainer Ring	333F998	
10	Side Bar (8500)	763F565	
11	Side Bar Springs	756F817	

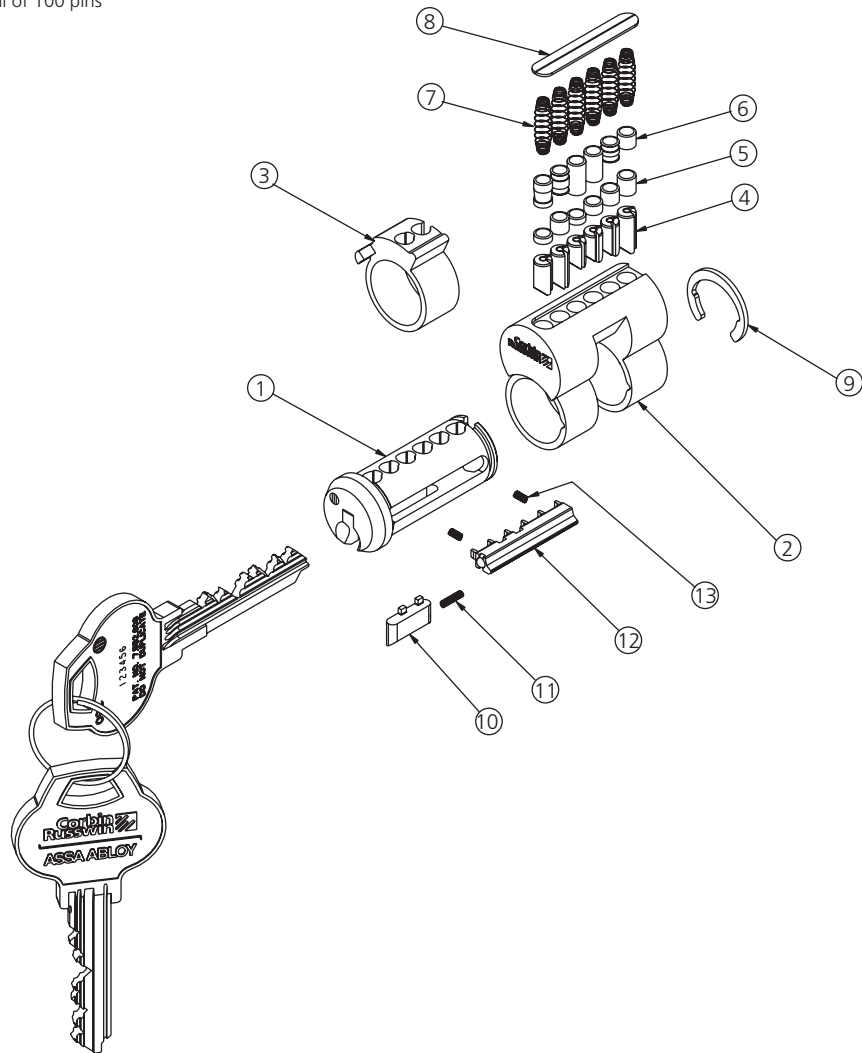
Note: Items 3, 4 & 5 are in vial of 100 pins





Item	Description	Part Number	Comments
1	Plug	757K51MSECFIN	Plug finishes: 606, 626
2	Core	763F59MFIN	Core finishes: 606, 626
3	Control Sleeve	763F572	
4	Bottom Pins (L)	763F042	
	Bottom Pins (C)	763F052	
	Bottom Pins (R)	763F062	
5	Master & Build Up Pins	763F012	
		763F012*	
6	Top Pins	763F03M	
7	Tumbler Springs	763F617	
8	Spring Cover	756F722	
9	Retainer Ring	333F998	
10	Slider	756F732-756F782	
11	Slider Springs	756F797	
12	Side Bar	756F807	
13	Side Bar Springs	756F817	

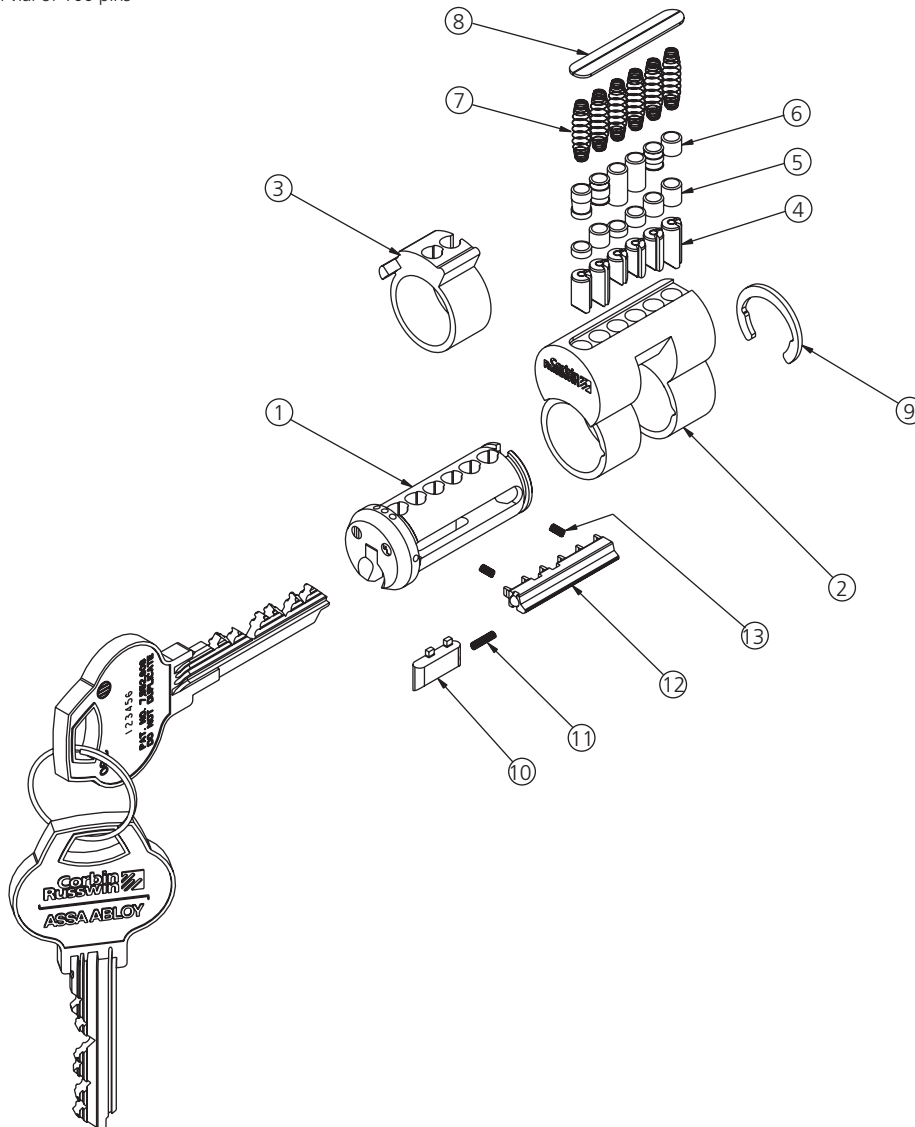
* Used in control chambers only
Note: Items 3, 4 & 5 are in vial of 100 pins





Item	Description	Part Number	Comments
1	Plug SA	757K52MSECFIN	Plug finishes: 606, 626
2	Core	763F60MFIN	Core finishes: 606, 626
3	Control Sleeve	763F572	
4	Bottom Pins (L)	763F042	
	Bottom Pins (C)	763F052	
	Bottom Pins (R)	763F062	
5	Master & Build Up Pins	763F012	
		763F012*	
6	Top Pins	763F03M	
		763F617	
7	Tumbler Springs	763F617	
8	Spring Cover	756F722	
9	Retainer Ring	333F998	
10	Slider	756F732-756F782	
11	Slider Springs	756F797	
12	Side Bar	756F807	
13	Side Bar Springs	756F817	

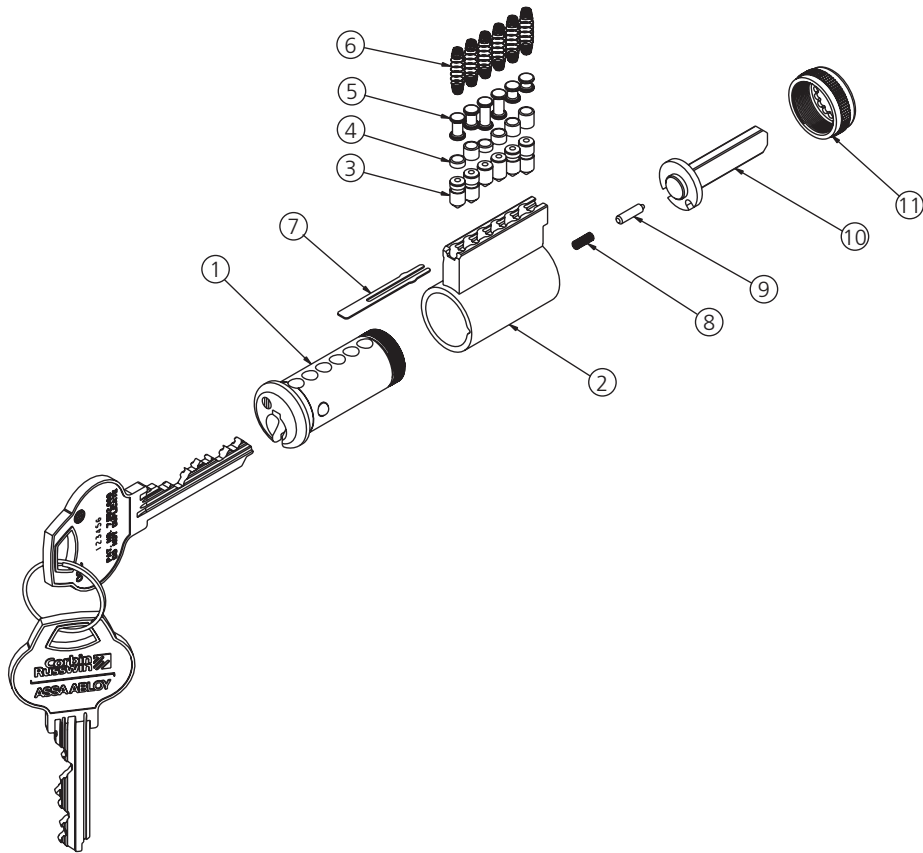
* Use in control chambers only
Note: Items 3, 4 & 5 are in vial of 100 pins





Item	Description	Part Number	Comments
1	Plug SA	758K20MSECFIN	Plug finishes: 606, 626
2	Shell	758F212	
3	Bottom Pins	763F002	
4	Master & Build Up Pins	763F012	
5	Top Pins	763F027	
6	Tumbler Springs	763F617	
7	Spring Cover	756F858	
8	Cap Pin Spring	585F327	
9	Cap Pin	585F312	
10	Tailpiece	See Access 3 Catalog	
11	Cylinder Cap	680F645	

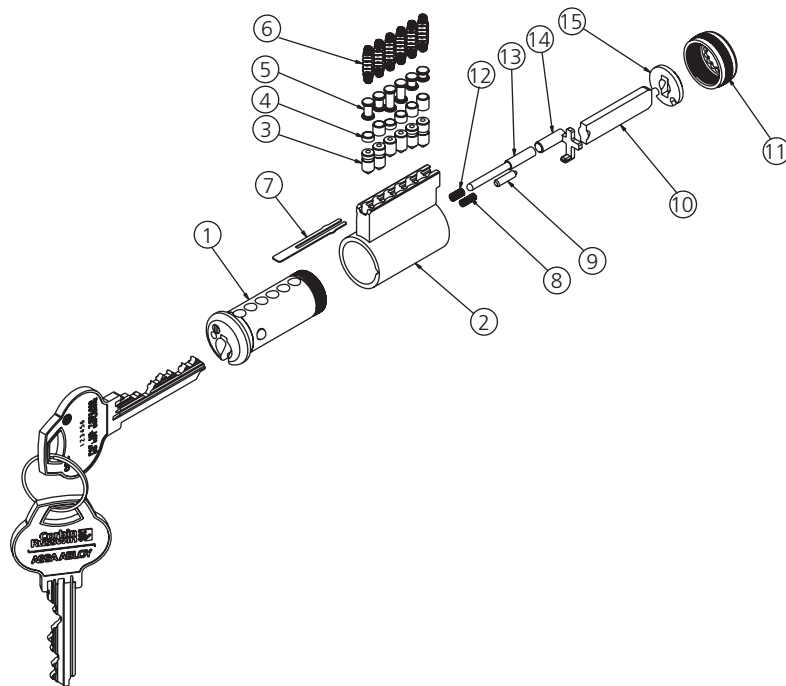
Note: Items 3, 4 & 5 are in vial of 100 pins





Item	Description	Part Number	Comments
1	Plug SA	758K52MSECFIN	Plug finishes: 606, 626
2	Shell	758F212	
3	Bottom Pins	763F002	
4	Master Pins	763F012	
5	Top Pins	763F027	
6	Tumbler Springs	763F617	
7	Spring Cover	756F858	
8	Cap Pin Spring	585F327	
9	Cap Pin	585F312	
10	Tailpiece	775F958	2501-031 Cylinder
		585F338	2501-034 Cylinder
11	Cylinder Cap	680F645	
12	Actuator Spring	314F987	
13	Lockout Identifier	314F997	
14	Acuator Plate	758F538	
15	Tailpiece Anchor	585F368	

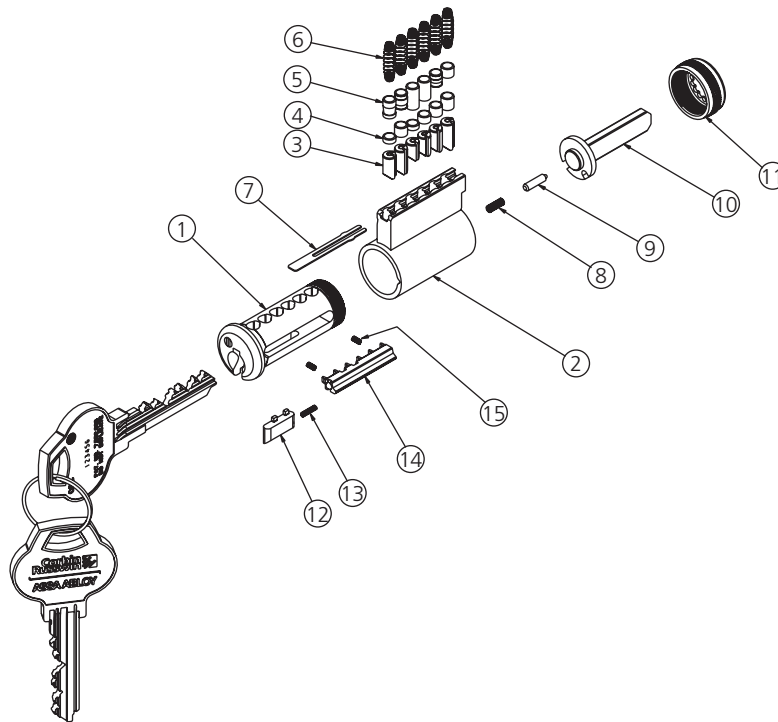
Note: Item 3, 4 & 5 are in vial of 100 pins





Item	Description	Part Number	Comments
1	Plug	758K18MSECFIN	Plug finishes: 606, 626
2	Shell	758F222	
3	Bottom Pins (L)	763F042	
	Bottom Pins (C)	763F052	
	Bottom Pins (R)	763F062	
4	Master & Build Up Pins	763F012	
5	Top Pins	763F03M	
6	Tumbler Springs	763F617	
7	Spring Cover	756F858	
8	Cap Pin Spring	585F327	
9	Cap Pin	585F312	
10	Tailpiece	See Access 3 Catalog	
11	Cylinder Cap	680F645	
12	Slider	756F732-756F782	
13	Slider Springs	756F797	
14	Side Bar	756F807	
15	Side Bar Springs	756F817	

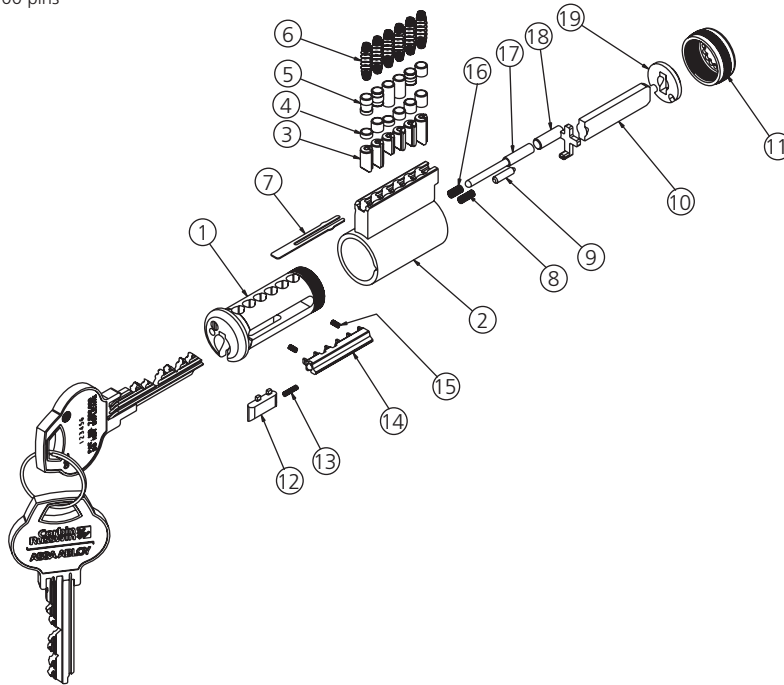
Note: Items 3, 4 & 5 are in vial of 100 pins





Item	Description	Part Number	Comments
1	Plug	758K50MSECFIN	Plug finishes: 606, 626
2	Shell	758F222	
3	Bottom Pins	763F002	
4	Master Pins	763F012	
5	Top Pins	763F027	
6	Tumbler Springs	763F617	
7	Spring Cover	756F858	
8	Cap Pin Spring	585F327	
9	Cap Pin	585F312	
10	Tailpiece	775F958	2601-031 Cylinder
		585F338	2601-034 Cylinder
11	Cylinder Cap	680F645	
12	Slider	756F732-756F782	
13	Slider Spring	756F797	
14	Side Bar	756F807	
15	Side Bar Spring	756F817	
16	Actuator Spring	314F987	
17	Lockout Identifier	314F997	
18	Actuator Plate	758F538	
19	Tailpiece Anchor	585F368	

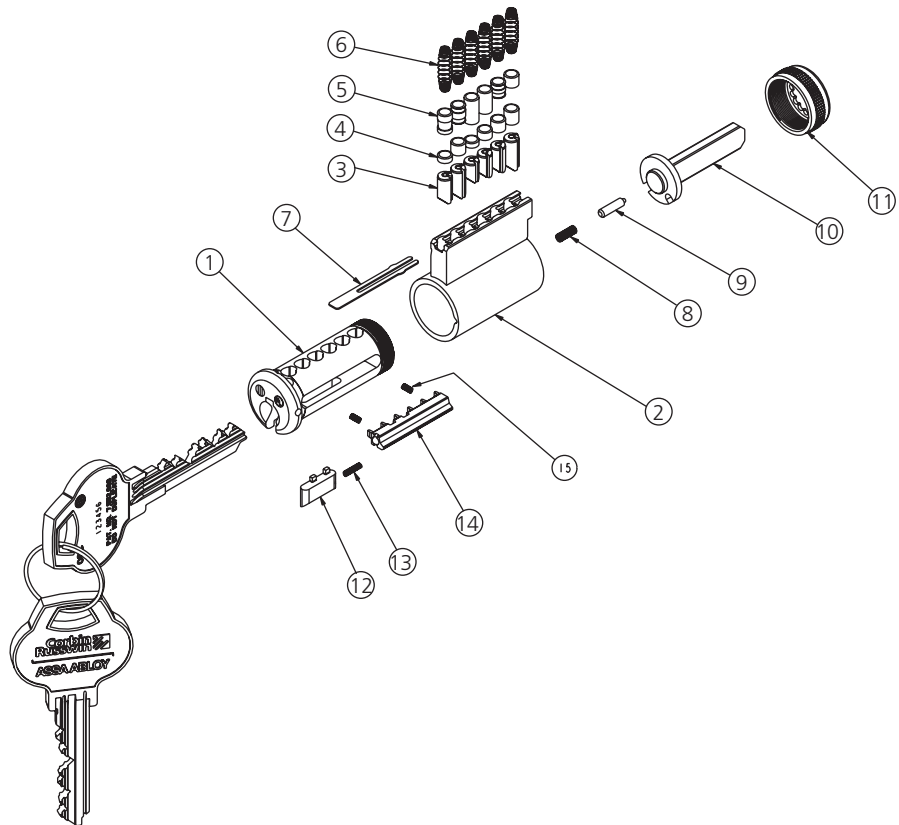
Note: Item 3, 4 & 5 are in vial of 100 pins





Item	Description	Part Number	Comments
1	Plug SA	758K19MSECFIN	Plug finishes: 606, 626
2	Shell	758F222	
3	Bottom Pins (L)	763F042	
	Bottom Pins (C)	763F052	
	Bottom Pins (R)	763F062	
4	Master & Build Up Pins	763F012	
5	Top Pins	763F03M	
6	Tumbler Springs	763F617	
7	Spring Cover	756F858	
8	Cap Pin Spring	585F327	
9	Cap Pin	585F312	
10	Tailpiece	See Access 3 Catalog	
11	Cylinder Cap	680F645	
12	Slider	756F732-756F782	
13	Slider Springs	756F797	
14	Side Bar	756F807	
15	Side Bar Springs	756F817	

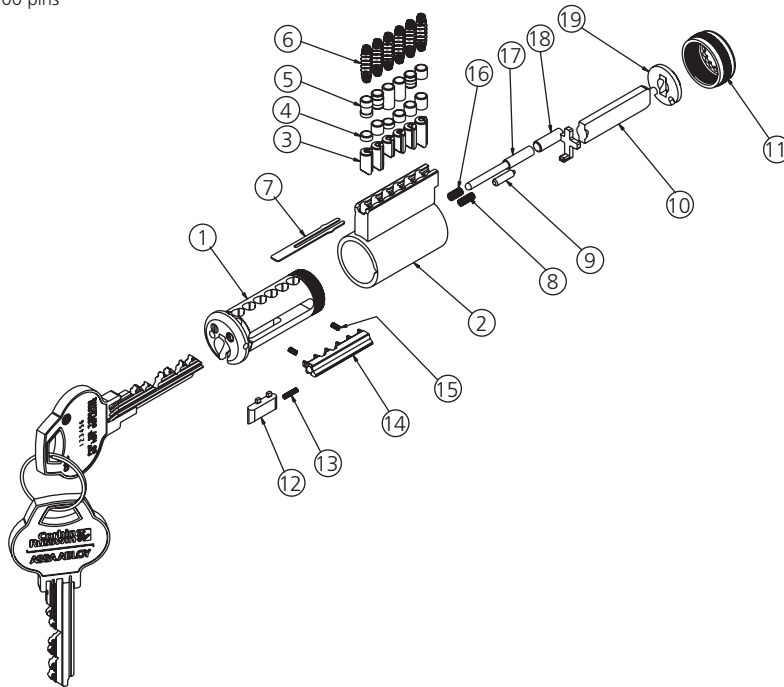
Note: Items 3, 4 & 5 are in vial of 100 pins





Item	Description	Part Number	Comments
1	Plug SA	758K51MSECFIN	Plug finishes: 606, 626
2	Shell	758F222	
3	Bottom Pins	763F002	
4	Master Pins	763F012	
5	Top Pins	763F027	
6	Tumbler Springs	763F617	
7	Spring Cover	756F858	
8	Cap Pin Spring	585F327	
9	Cap Pin	585F312	
10	Tailpiece	775F958	2701-031 Cylinder
		585F338	2701-034 Cylinder
11	Cylinder Cap	680F645	
12	Slider	756F732-756F782	
13	Slider Spring	756F797	
14	Side Bar	756F807	
15	Side Bar Spring	756F817	
16	Actuator Spring	314F987	
17	Lockout Identifier	314F997	
18	Actuator Plate	758F538	
19	Tailpiece Anchor	585F368	

Note: Item 3, 4 & 5 are in vial of 100 pins









The ASSA ABLOY Group is the global leader in access solutions. Every day, we help billions of people experience a more open world.

ASSA ABLOY Opening Solutions leads the development within door openings and products for access solutions in homes, businesses and institutions. Our offering includes doors, frames, door and window hardware, locks, perimeter fencing, access control and service.



For additional information, contact your
ASSA ABLOY Door Security Solutions
sales consultant or visit www.corbinrusswin.com.

In U.S.

Corbin Russwin
Architectural Hardware
225 Episcopal Road
Berlin, CT 06037
Phone: 800-543-3658
Fax: 800-447-6714
www.corbinrusswin.com

In Canada

ASSA ABLOY Door
Security Solutions Canada
160 Four Valley Drive
Vaughan, Ontario
Canada L4K 4T9
Phone: 800-461-3007
Fax: 800-461-8989
www.assaabloydss.ca